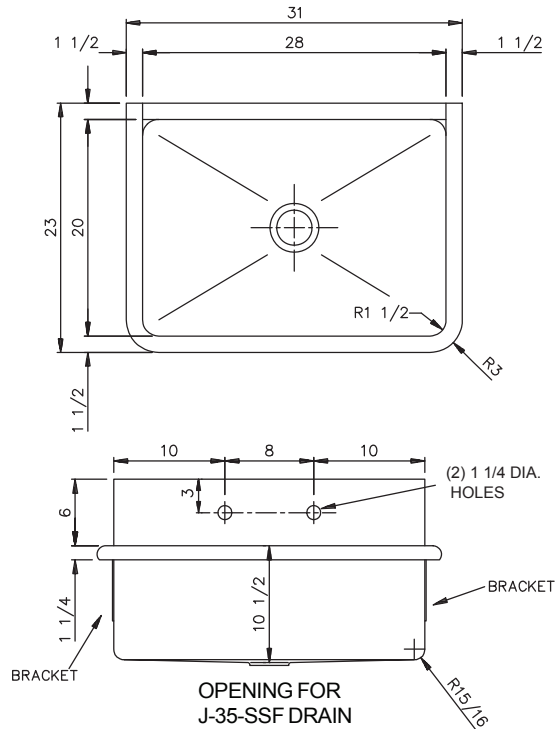
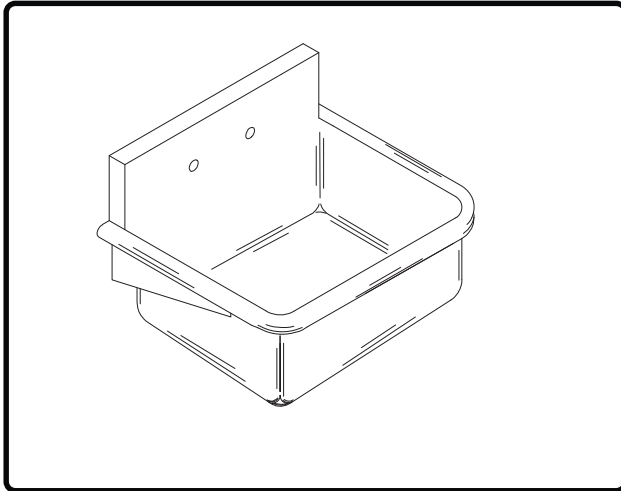




# A-18664

## INSTITUTIONAL GROUP WALL HUNG - SERVICE SINK

SUBMITTAL DATA



### SPECIFICATIONS

Seamless welded construction of 14 gauge type 304 stainless steel. Roll rim on front and sides. Interior surfaces to have a hand-Blended Just Finish. Exposed exterior surfaces to have a standard brush finish. Furnished with 14 gauge stainless steel brackets and wall clip. Drain punched for Just J-35-SSF drain.



Sink certified to ASME A112.19.3/CSA B45.4; Uniform Plumbing Code (UPC); International Plumbing Code (IPC), by NSF International. Certified less fittings.

### Includes:

**JS-47-TGSA** - Low Lead certified, backsplash mounted, with gooseneck spout with 4" wrist blade handles.

**J-35-SSF** - stainless steel flat grid strainer, body and 4" long tailpiece.



APPROVED FOR MANUFACTURING

MODEL NO.: **A-18664** QTY: \_\_\_\_\_

JOB NAME: \_\_\_\_\_

TAG/ITEM: \_\_\_\_\_

CUSTOMER: \_\_\_\_\_

SIGNATURE: \_\_\_\_\_

JUST MFG. COMPANY CONTINUES TO MAKE QUALITY AND FUNCTIONALITY A MARK OF THE JUST PRODUCT LINE. WE RESERVE THE RIGHT TO CHANGE PRODUCT INFORMATION WITHOUT NOTICE. DIMENSIONS MAY CHANGE AND MAY BE SUBJECT TO CHANGE WITHOUT NOTICE. NO RESPONSIBILITY IS ASSUMED FOR USE OF SUPERCEDED OR VOIDED DATA. JUST MFG. CO. SINKS ARE MADE IN THE U.S.A. WHEN COMPARING OTHER BRAND PRODUCTS, BE SURE TO COMPARE USA QUALITY ALONG WITH FEATURES AND DIMENSIONS.

**JUST MANUFACTURING COMPANY**

**9233 KING STREET . FRANKLIN PARK . ILLINOIS . 60131-2111**

**PH: 847-678-5150 . FAX: 847-678-6817 . E-MAIL: custserv@justmfg.com . www.justmfg.com**

REVISED-7/2014