



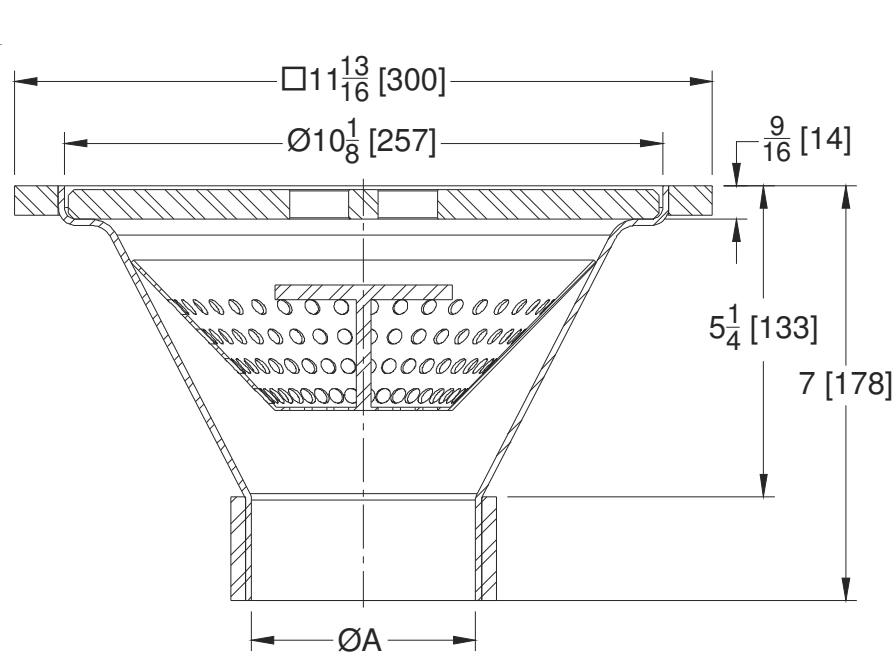
Z1800-12S

12" x 12" x 7" [305 x 305 x 178] SQUARE INDUSTRIAL FLOOR DRAIN

SPECIFICATION SHEET

TAG _____

Dimensional Data (inches and [mm]) are Subject to Manufacturing Tolerances and Change Without Notice



Approx. Wt. Lbs. [kg]	Grate Open Area Sq. In. [cm ²]
24 [11]	19.2 [124]

Engineering Specification: Z1800-12S

12" x 12" x 7" [305 x 305 x 178] Deep, 12 gauge, type 304 stainless steel, square industrial sanitary floor drain features loose set heavy-duty slotted grate (1/2 [13] thick plate) with finger holes, 9/16 [14] top frame, perforated removable sediment bucket with lift handle, pre-pour stabilizing anchor tabs, and bead blasted finish. Drain meets U.S. FDA standards for corrosion resistance.

Options (Check/specify appropriate options)

Pipe Size (ØA) (Specify size/type) **Outlet**
 3-4-6[76-102-152] ___ BW Butt-Weld
 3-4-6[76-102-152] ___ NH No-Hub

Prefixes

___ Z Type 304 (CF8) Stainless Steel*
 ___ ZM Type 316 (CF8M) Stainless Steel

Suffixes

___ -A Adjustable Threaded Outlet
 ___ -BF Butterfly Lock Sediment Basket
 ___ -K Anchor Flange
 ___ -KC Anchor Flange w/ Seepage Holes and Clamp Collar
 ___ -MG EZLock Magnetic Lock System
 ___ -P 1/2 [13] Trap Primer Connection

Grate Options

___ -H3 Heavy-Duty Perimeter Gap - 1/2 [13] Plate (15 Sq. In. [97 cm²] Open Area). Add 1/2 [13] to overall height.
 ___ -H5 Heavy-Duty Slotted Grate - 1/2 [13] Plate w/ Finger Holes (19.2 Sq. In. [124 cm²] Open Area). Add 1/2 [13] to overall height.

* Regularly furnished unless otherwise specified.