

16 GAUGE STAINLESS STEEL EQUIPMENT STANDS WITH UNDERSHELVES

REGENCY
Stainless Steel Commercial
Tables And Sinks



FEATURES

- Smooth type 304 stainless steel work surface makes cleaning a breeze
- 2" edging keeps equipment from falling off
- Undershelf provides additional storage space
- Adjustable bullet feet ensure leveling on uneven surfaces
- Combines unbeatable strength with long-lasting durability
- Simple assembly and installation requires little effort

SPECIFICATIONS



GALVANIZED UNDERSHELVES & LEGS

ITEM	LENGTH	WIDTH	WORK HEIGHT	UNDERSHELF DIMENSIONS	TOP SHELF CAPACITY	UNDERSHELF CAPACITY	WEIGHT
600ES2424G	24"	24"	24"	18" x 18"	700 lb.	540 lb.	35 lb.
600ES2430G	30"	24"	24"	24" x 18"	700 lb.	540 lb.	40 lb.
600ES2436G	36"	24"	24"	30" x 18"	800 lb.	620 lb.	46 lb.
600ES2448G	48"	24"	24"	42" x 18"	800 lb.	620 lb.	59 lb.
600ES3024G	24"	30"	24"	18" x 24"	700 lb.	540 lb.	39 lb.
600ES3030G	30"	30"	24"	24" x 24"	800 lb.	620 lb.	47 lb.
600ES3036G	36"	30"	24"	30" x 24"	800 lb.	620 lb.	51 lb.
600ES3048G	48"	30"	24"	42" x 24"	900 lb.	700 lb.	65 lb.
600ES3060G	60"	30"	24"	54" x 24"	900 lb.	700 lb.	79 lb.
600ES3072G	72"	30"	24"	66" x 24"	1000 lb.	780 lb.	99 lb.
600ES3084G	84"	30"	24"	78" x 24"	1200 lb.	930 lb.	113 lb.
600ES3096G	96"	30"	24"	90" x 24"	1200 lb.	930 lb.	126 lb.

STAINLESS STEEL UNDERSHELVES & LEGS

ITEM	LENGTH	WIDTH	WORK HEIGHT	UNDERSHELF DIMENSIONS	TOP SHELF CAPACITY	UNDERSHELF CAPACITY	WEIGHT
600ES2424S	24"	24"	24"	18" x 18"	700 lb.	540 lb.	35 lb.
600ES2430S	30"	24"	24"	24" x 18"	700 lb.	540 lb.	40 lb.
600ES2436S	36"	24"	24"	30" x 18"	800 lb.	620 lb.	46 lb.
600ES2448S	48"	24"	24"	42" x 18"	800 lb.	620 lb.	59 lb.
600ES3024S	24"	30"	24"	18" x 24"	700 lb.	540 lb.	39 lb.
600ES3030S	30"	30"	24"	24" x 24"	800 lb.	620 lb.	47 lb.
600ES3036S	36"	30"	24"	30" x 24"	800 lb.	620 lb.	51 lb.
600ES3048S	48"	30"	24"	42" x 24"	900 lb.	700 lb.	65 lb.
600ES3060S	60"	30"	24"	54" x 24"	900 lb.	700 lb.	79 lb.
600ES3072S	72"	30"	24"	66" x 24"	1000 lb.	780 lb.	99 lb.
600ES3084S	84"	30"	24"	78" x 24"	1200 lb.	930 lb.	113 lb.
600ES3096S	96"	30"	24"	90" x 24"	1200 lb.	930 lb.	126 lb.

NOTE: 84" & 96" Work Tables Feature (6) Six Legs for Added Stability

REGENCYTABLESANDSINKS.COM

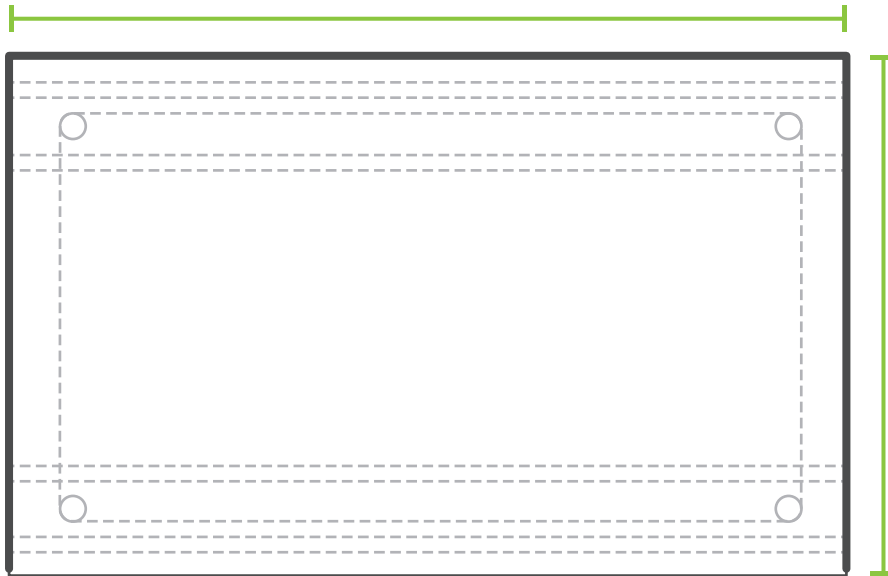
16 GAUGE STAINLESS STEEL
EQUIPMENT STANDS
WITH UNDERSHELVES

REGENCY
Stainless Steel Commercial
Tables And Sinks



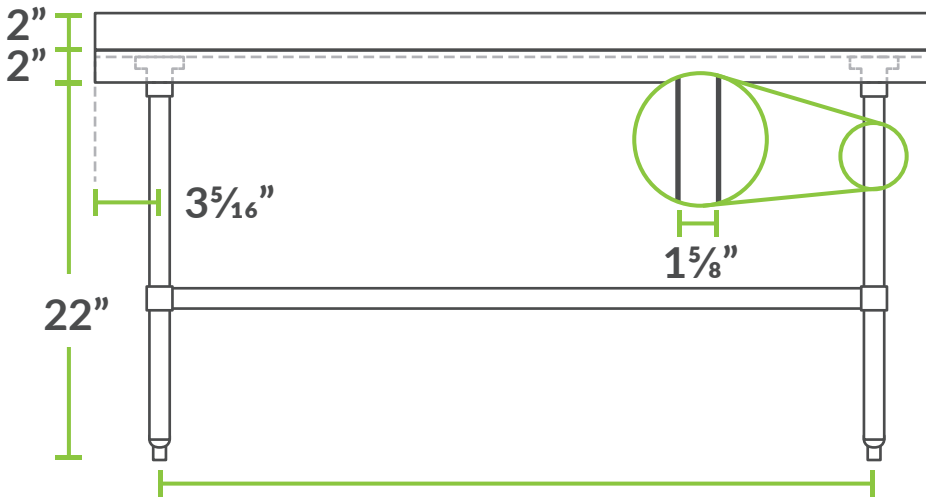
TOP

LENGTH



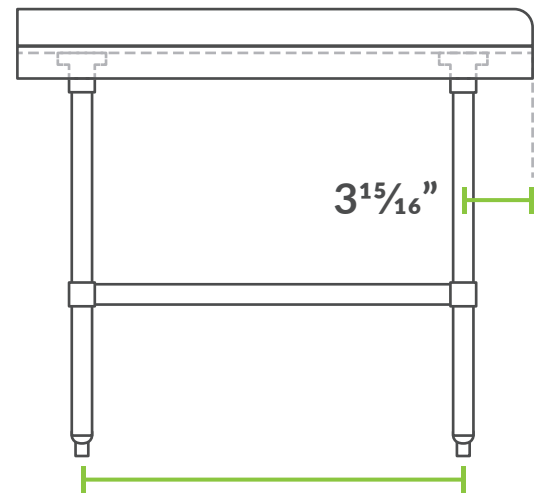
WIDTH

FRONT



LENGTH - $6\frac{5}{8}$ "

SIDE



WIDTH - $7\frac{7}{8}$ "

CASTERS & FEET

ITEM	DESCRIPTION	#/PACK
600CASTER4	5" Swivel Stem Casters	4
600CASTER6	5" Swivel Stem Casters	6
600CASTERHD4	5" Heavy-Duty Swivel Stem Casters	4
600CASTERHD6	5" Heavy-Duty Swivel Stem Casters	6
600PABF	Adjustable Plastic Bullet Foot	1
600SPABF	Adjustable Stainless Steel Bullet Foot	1
600SSFF	3¼" Stainless Steel Flanged Foot	1

UNDERSHELVES

ITEM	DIMENSIONS	FITS
600UT1824S	18"L x 12"W	24"L x 18"W Work Tables
600UT1830S	24"L x 12"W	30"L x 18"W Work Tables
600UT1836S	30"L x 12"W	36"L x 18"W Work Tables
600UT1848S	42"L x 12"W	48"L x 18"W Work Tables
600UT1860S	54"L x 12"W	60"L x 18"W Work Tables
600UT1872S	66"L x 12"W	72"L x 18"W Work Tables
600UT2424S	18"L x 18"W	24"L x 24"W Work Tables
600UT2430S	24"L x 18"W	30"L x 24"W Work Tables
600UT2436S	30"L x 18"W	36"L x 24"W Work Tables
600UT2448S	42"L x 18"W	48"L x 24"W Work Tables
600UT2460S	54"L x 18"W	60"L x 24"W Work Tables
600UT2472S	66"L x 18"W	72"L x 24"W Work Tables
600UT2484S	78"L x 18"W	84"L x 24"W Work Tables
600UT2496S	90"L x 18"W	96"L x 24"W Work Tables
600UT3030S	24"L x 24"W	30"L x 30"W Work Tables
600UT3036S	30"L x 24"W	36"L x 30"W Work Tables
600UT3048S	42"L x 24"W	48"L x 30"W Work Tables
600UT3060S	54"L x 24"W	60"L x 30"W Work Tables
600UT3072S	66"L x 24"W	72"L x 30"W Work Tables
600UT3084S	78"L x 24"W	84"L x 30"W Work Tables
600UT3096S	90"L x 24"W	96"L x 30"W Work Tables
600UT3636S	30"L x 30"W	36"L x 36"W Work Tables
600UT3648S	42"L x 30"W	48"L x 36"W Work Tables
600UT3660S	54"L x 30"W	60"L x 36"W Work Tables
600UT3672S	66"L x 30"W	72"L x 36"W Work Tables
600UT3696S	90"L x 30"W	96"L x 36"W Work Tables

CASTERS

Each set of Regency casters lets you turn any work table or equipment stand with 4 or 6 standard legs into a mobile work station. With a total weight capacity of 1200 to 1600 lb., these wheels can stand the toughest of tests and are sure to meet your needs. Take your table or equipment on the go and then keep it secure with the flip of a lever, conveniently placed at foot level for easy locking and unlocking.

BULLET FEET

Make sure your table, compartment sink, or dishtable is level and stable by replacing a missing or broken bullet foot with these Regency Bullet Feet! They are designed to fit equipment with 1½" outer diameter legs and are adjustable so they can accommodate uneven floors.

FLANGED FEET

If you need to bolt your Regency equipment to the floor for added stability during use, this flanged 3¼" seismic foot is the perfect solution! It is designed to swap out easily for an existing foot on Regency products with legs that measure 1½" in outer diameter. Feet like these are typically used to comply with local codes, which require you to secure equipment to the floor, and in situations where keeping your equipment immobile could be useful, like on a food truck.



UNDERSHELVES

Add extra storage space and organization to your kitchen with a Regency adjustable stainless steel work table undershelf! Undershelves provide additional storage for frequently used items like prep tools, cutting boards, bar towels, oven mitts, pans, and trays. These undershelves are adjustable, so you can move them higher or lower to accommodate items of varying sizes. Made of 18 gauge, type 430 stainless steel, Regency undershelves ensure maximum durability and corrosion resistance, and are easy to clean and sanitize.

