

STAINLESS STEEL SOLID WALL SHELVES

REGENCY
Space Solutions



FEATURES

- Type 430 stainless steel construction
- Easy to clean
- No sharp edges

SPECIFICATIONS

NSF

ITEM	GAUGE	DEPTH	WIDTH	LOADING CAPACITY	WEIGHT
600WS1224	18 Gauge	12"	24"	210 lb.	7 lb.
600WS1236	18 Gauge	12"	36"	230 lb.	10 lb.
600WS1248	18 Gauge	12"	48"	255 lb.	12 lb.
600WS1260	18 Gauge	12"	60"	285 lb.	15 lb.
600WS1272	18 Gauge	12"	72"	285 lb.	18 lb.
600WS1284	18 Gauge	12"	84"	340 lb.	21 lb.
600WS1296	18 Gauge	12"	96"	365 lb.	23 lb.
600WS1524	18 Gauge	15"	24"	255 lb.	9 lb.
600WS1536	18 Gauge	15"	36"	300 lb.	11 lb.
600WS1548	18 Gauge	15"	48"	345 lb.	15 lb.
600WS1560	18 Gauge	15"	60"	395 lb.	17 lb.
600WS1572	18 Gauge	15"	72"	395 lb.	21 lb.
600WS1584	18 Gauge	15"	84"	505 lb.	24 lb.
600WS1596	18 Gauge	15"	96"	550 lb.	27 lb.
600WS1224HD	16 Gauge	12"	24"	230 lb.	9 lb.
600WS1236HD	16 Gauge	12"	36"	250 lb.	12 lb.
600WS1248HD	16 Gauge	12"	48"	280 lb.	15 lb.
600WS1260HD	16 Gauge	12"	60"	315 lb.	19 lb.
600WS1272HD	16 Gauge	12"	72"	315 lb.	23 lb.
600WS1284HD	16 Gauge	12"	84"	375 lb.	26 lb.
600WS1296HD	16 Gauge	12"	96"	400 lb.	29 lb.
600WS1524HD	16 Gauge	15"	24"	280 lb.	11 lb.
600WS1536HD	16 Gauge	15"	36"	325 lb.	15 lb.
600WS1548HD	16 Gauge	15"	48"	375 lb.	18 lb.
600WS1560HD	16 Gauge	15"	60"	435 lb.	21 lb.
600WS1572HD	16 Gauge	15"	72"	435 lb.	26 lb.
600WS1584HD	16 Gauge	15"	84"	555 lb.	30 lb.
600WS1596HD	16 Gauge	15"	96"	605 lb.	33 lb.
600WS1824HD	16 Gauge	18"	24"	300 lb.	13 lb.
600WS1836HD	16 Gauge	18"	36"	340 lb.	17 lb.
600WS1848HD	16 Gauge	18"	48"	385 lb.	20 lb.
600WS1860HD	16 Gauge	18"	60"	450 lb.	24 lb.
600WS1872HD	16 Gauge	18"	72"	450 lb.	30 lb.
600WS1884HD	16 Gauge	18"	84"	560 lb.	34 lb.
600WS1896HD	16 Gauge	18"	96"	605 lb.	37 lb.

18 Gauge Wall Shelves 72", 84" & 96" in Length and 16 Gauge Wall Shelves 60", 72", 84" & 96" in Length Feature 3 Brackets. All Others Feature 2 Brackets.

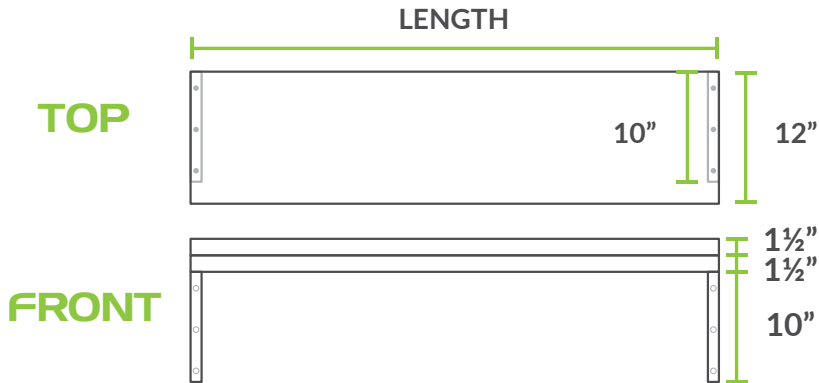
REGENCYTABLESANDSINKS.COM

STAINLESS STEEL SOLID WALL SHELVES

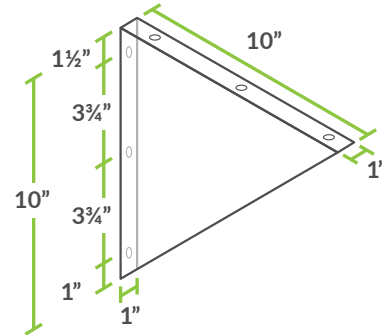
REGENCY
Space Solutions

12" DEEP SHELVES

NSF

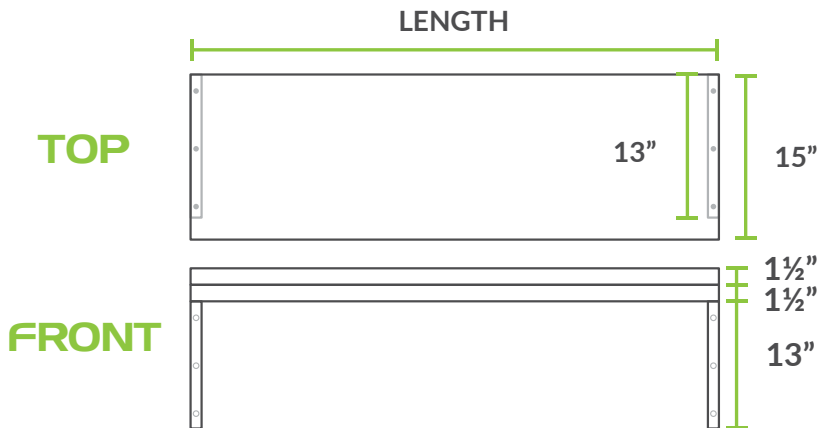


BRACKETS

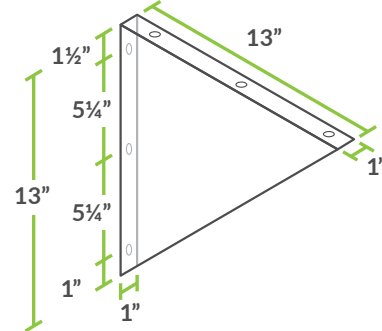


15" DEEP SHELVES

NSF

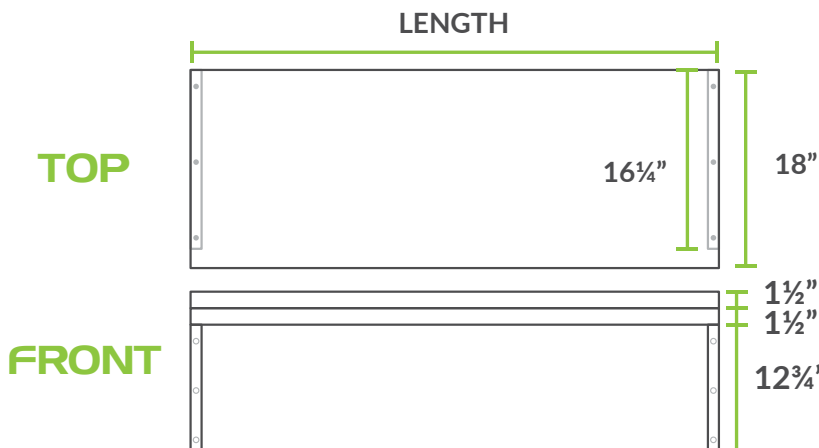


BRACKETS



18" DEEP SHELVES

NSF



BRACKETS

