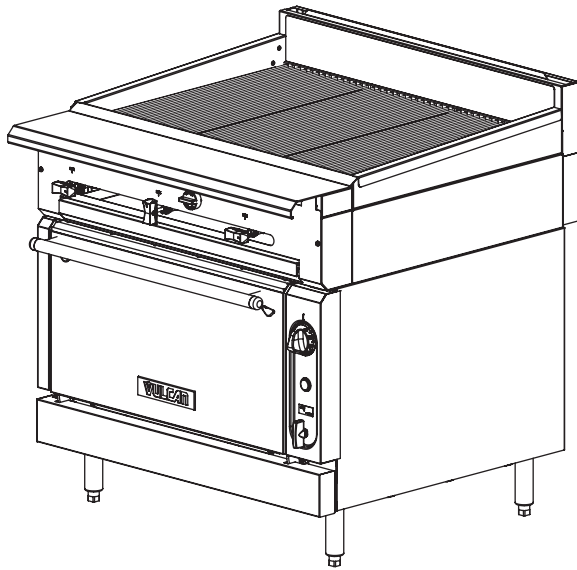


**HEAVY DUTY COOKING****VULCAN****HEAVY DUTY GAS RANGE  
36" WIDE INFRARED CHARBROILER GAS RANGE**

**Model VTC36S**  
shown on a standard oven base

**SPECIFICATIONS**

36" wide high efficiency gas infrared charbroiler, Vulcan Model No. VTC36 (modular) or VTC36B (cabinet base), VTC36S (standard oven) or VTC36C (convection oven). Stainless steel front, plate ledge, front top ledge with pull-out condiment rails, sides, base, stub back and 6" adjustable legs. 1 1/4" diameter front gas manifold. Full width, stainless steel crumb tray. Heavy duty, steel infrared emitter panels. 11" x 25" stainless steel cooking grids. One 22,000 BTU/hr. patented infrared burner system for each cooking grid. Direct ignition piezo spark igniters. One high range heat control valve for each burner. Chrome burner knobs. **Standard Oven:** 50,000 BTU/hr. with porcelain oven bottom, sides, and interior door panel. **Convection Oven:** 32,000 BTU/hr. with porcelain oven bottom, sides, and interior door panel (115v-1 phase blower motor, 4 amps, 6' cord & plug). Ovens measure 27" w x 27" d x 13" h. Standard oven thermostats adjust from 150° – 550°F. Convection oven adjusts from 175° – 550°F and the optional finishing oven for standard ovens adjusts from 300° – 650°F. Standard oven supplied with one rack, convection oven with two. Both ovens allow for three rack positions. Oven door is heavy-duty with counter weight door hinges. 1 1/4" diameter front manifold and 1 1/4" rear gas connection capped. Total input 66,000 BTU/hr. 4" adjustable legs. 1 1/4" NPT rear gas connection. Total input 66,000 BTU/hr.

**Exterior Dimensions:**

36 3/4" d x 36" w x 36" h on 6" adjustable legs

- VTC36** 36" Infrared Charbroiler / Modular
- VTC36B** 36" Infrared Charbroiler / Cabinet Base
- VTC36S** 36" Infrared Charbroiler / Standard Oven
- VTC36C** 36" Infrared Charbroiler / Convection Oven

**STANDARD FEATURES**

- Stainless steel front, front top ledge, burner box, sides, base, and stub back
- 1 1/4" diameter front gas manifold with 1 1/4" rear gas connection (capped)
- Heavy duty steel infrared emitter panels
- Energy efficient 22,000 BTU/hr., patented infrared burner system in each cooking zone
- Direct ignition piezo spark igniters
- One high range heat control valve for each burner
- Chrome burner control knobs
- 50,000 BTU/hr standard oven burner
- 32,000 BTU/hr convection oven burner
- Porcelain oven cavity
- 4" stainless steel stub riser
- 6" adjustable stainless steel legs for "B" models.
- Stainless steel cabinet base door
- Universal rack guides, with one removable shelf (cabinet base)
- One year limited parts and labor warranty

**OPTIONAL FEATURES (Factory Installed)**

- Cap and cover front manifold
- Stainless steel oven cavity
- 650°F oven thermostat and steel hearth. ("S" models)
- Fan cooling package ("C" models)
- 4" adjustable flanged feet for modular units
- Less legs for dolly mounting of cabinet base models
- 3" high toe base for curb mounting for "S", "C", & "B" models
- Universal rack guides, with one shelf (shelf is removable)
- Common condiment type, telescoping plate rails

**ACCESSORIES (Packaged & Sold Separately)**

- 3/4", 1", or 1 1/4" gas pressure regulator (specify gas type)
- Set of 4 casters, 6" high (two locking)
- 6" adjustable flanged feet for "S", "C", & "B" models
- Extra removable shelves for use with Universal rack guides (cabinet base)
- Banking strip
- Common condiment type, telescoping plate rails (starting at 24" length)
- Straight, diamondcast, rod, and waffle/fish grates
- 10", 22", or 34" high back risers (no shelf)
- 22" single deck solid or flo-thru high shelf risers
- 34" double deck solid or flo-thru high shelf risers
- Dolly frames
- Flexible gas hose with quick disconnect & restraining device

**VULCAN**

a division of ITW Food Equipment Group LLC

P.O. Box 696 ■ Louisville, KY 40201 ■ Toll-free: 1-800-814-2028 ■ Local: 502-778-2791 ■ Quote & Order Fax: 1-800-444-0602



## HEAVY DUTY GAS RANGE

### 36" WIDE INFRARED CHARBROILER GAS RANGE

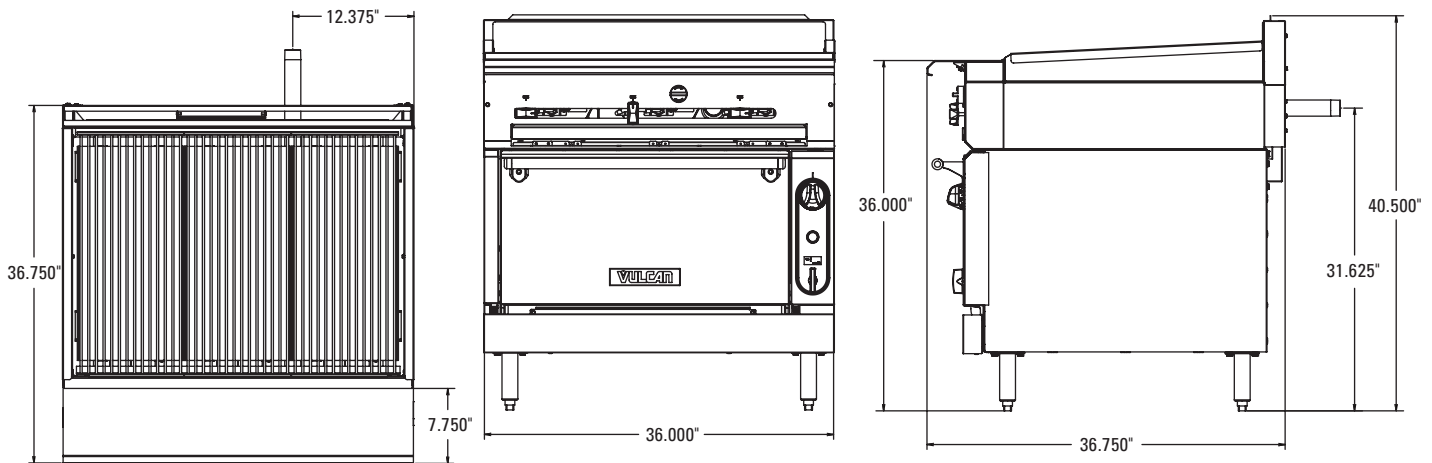
#### INSTALLATION INSTRUCTIONS

1. A properly sized gas pressure regulator suitable for battery or single unit application must be furnished and installed. Natural gas 6.0" W.C., propane gas 10.0" W.C.
2. An adequate ventilation system is required for commercial cooking equipment. Information may be obtained by writing to the National Fire Protection Association, 1 Batterymarch Park, Quincy, MA 02269, www.NFPA.org. When writing, refer to NFPA No. 96.
3. These units are manufactured for installation in accordance with ANSZ223.1A (latest edition), National Fuel Gas Code. Copies may be obtained from The American Gas Association, 400 N Capitol St. NW, Washington, DC 20001, www.AGA.org.
4. **Clearances**

	Rear	Sides
Combustible	10"	10"
Non-combustible	0"	0"
5. For proper combustion, install equipment on adjustable legs or casters. On curb or platform, allow 3½" front overhang. Toe base with leveling bolts are required for curb installation. Specify when ordering.
6. Cannot be battered with GH series equipment.
7. This appliance is manufactured for commercial installation only and is not intended for home use.

**NOTE:** In line with its policy to continually improve its product, Vulcan reserves the right to change materials and specifications without notice.

**Specify type of gas when ordering.  
Specify altitude when above 2,000 feet.**



TOP CONFIGURATION	MODEL NUMBER	DESCRIPTION	TOTAL INPUT BTU / HR	SHIPPING WEIGHT LBS / KG
	<b>VTC36</b>	36" Infrared Charbroiler / Modular	66,000	404 / 183
	<b>VTC36B</b>	36" Infrared Charbroiler / Cabinet Base	66,000	504 / 229
	<b>VTC36S</b>	36" Infrared Charbroiler / Standard Oven Base	116,000	685 / 311
	<b>VTC36C</b>	36" Infrared Charbroiler / Convection Oven Base	98,000	763 / 346

This appliance is manufactured for commercial use only and is not intended for home use.



a division of ITW Food Equipment Group LLC

P.O. Box 696 ■ Louisville, KY 40201 ■ Toll-free: 1-800-814-2028 ■ Local: 502-778-2791 ■ Quote & Order Fax: 1-800-444-0602

**NOTE:** In line with its policy to continually improve its products, Vulcan reserves the right to change materials and specifications without notice.