

## Ultra Pan Carriers®

### Front Loading Carrier

For GN 1/1, 1/2, 1/3 Food Pans  
Model UPC300

**StoreSafe**

#### Features & Benefits

- Rugged and dependable, these Carriers transport hot and cold food from kitchen to event.
- Offers a wide variety of food transporting options with GN Full and Fractional Size Food Pans.
- Food Pan Holding Capacity:

DEPTH	FOOD PAN CAPACITY		
	GN 1/1	GN 1/2	GN 1/3
2 1/2" (6,5 cm)	4	8	12
4" (10 cm)	3	6	9
6" (15 cm)	2	4	6
8" (20 cm)	1	2 + (2) 4" (10 cm)	3 + (3) 4" (10 cm)

- Made of one piece seamless, double-walled, high-density polyethylene construction.
- Durable and lightweight.
- Exterior is scratch resistant.
- Foamed-in polyurethane insulation and a built-in seal help to ensure excellent food temperature retention, hot or cold.
- Completely removable door for easy cleaning.
- Labeling area on door.
- Two each recessed plastic latches secure the door tightly and will not rust or corrode.
- Molded-in handles provide comfortable, easy transporting.
- Securely stacks easily for more efficient transportation and storage.
- Also stacks with 300MPC and 1318MTC units.
- Non-electrical.
- No assembly required.
- Available in 6 colors.
- Optional:
  - Camdollies® (CD300/H/HB) provide easy transporting.
  - ThermoBarrier® (UPC300DIV) concentrates hot or cold air when compartment is not completely filled. Also enables hot and cold food to be stored in the same compartment.
  - Camchiller® keeps food chilled below 41°F (5°C) with no external power or ice required.
  - Camwarmer maintains safe temperatures for hot food above 140°F (60°C) with no canned heat needed.

Item No. \_\_\_\_\_

Specifier Identification No. \_\_\_\_\_

Model No. \_\_\_\_\_

Quantity \_\_\_\_\_



UPC300

#### Hot

UPC300

190°F	185°F	183°F	181°F	179°F
88°C	85°C	84°C	83°C	82°C
Starting Temperature	1 hr.	2 hrs.	3 hrs.	4 hrs.

#### Cold

UPC300

32.5°F	34.1°F	34.7°F	35.1°F	35.7°F
0,3°C	1,1°C	1,5°C	1,7°C	2°C
Starting Temperature	1 hr.	2 hrs.	3 hrs.	4 hrs.

#### Approvals



# Ultra Pan Carriers®

## Front Loading Carrier

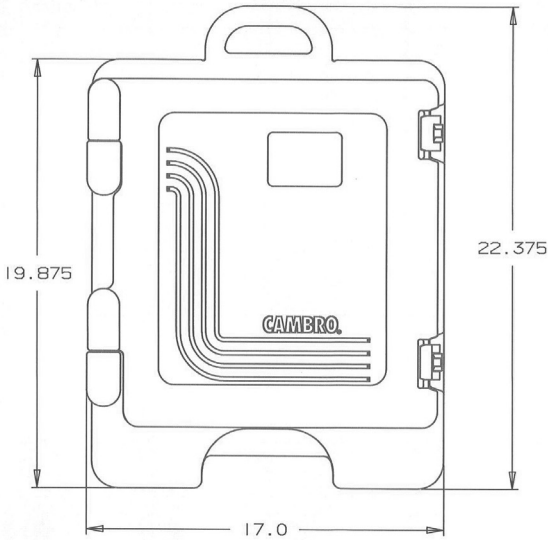
For GN 1/1, 1/2, 1/3 Food Pans  
Model UPC300

Item No. \_\_\_\_\_

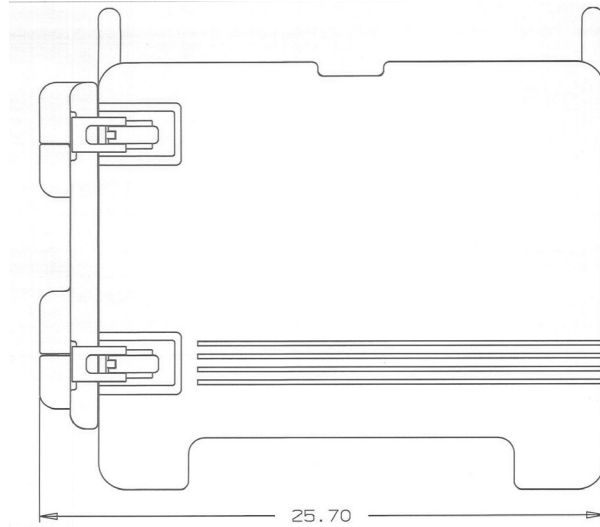
Specifier Identification No. \_\_\_\_\_

Model No. \_\_\_\_\_

Quantity \_\_\_\_\_



UPC300



### Specifications

Code	Description	Load Capacity	Exterior Dimensions L x W x H	Case lbs./cube kg/m <sup>3</sup>
UPC300	Carrier	36 qts. (34 L)	17" x 25 <sup>3</sup> / <sub>8</sub> " x 22 <sup>3</sup> / <sub>8</sub> " (43,2 x 65,4 x 56,8 cm)	27.4 (5.8) 12,43 (0,164)

Dimension Tolerance: +/- 1/4" (0,64 cm)

### Optional Accessories

- ThermoBarrier®**
  - UPC300DIV  
Coffee Beige (157)
- Camchiller®**
  - CP1220  
Cold Blue (159)
- Camwarmer®**
  - 1210PW  
Granite Gray (191)
- Camdolly®**
  - CD300
  - CD300H
  - CD300HB

### Standard Colors

- Black (110)
- Hot Red (158)
- Dark Brown (131)
- Navy Blue (186)
- Slate Blue (401)
- Charcoal Gray (615)

### Architect Specs

The portable non-electrical front loading GN Food Pan transport carriers shall be a Carrier, Model UPC300, manufactured by Cambro Mfg. Co., Huntington Beach, CA 92647 U.S.A. It shall be made of one-piece, seamless, double-wall, high density polyethylene and foam-injected polyurethane. It shall have a fully removable door with a built-in seal and smooth 2" x 3" area for labeling. It shall be available to transport GN Full and Fractional size Food Pans, up to 8" (20 cm) deep. It shall be available to accommodate an optional ThermoBarrier, Camchiller or Camwarmer. It shall have 2 each recessed plastic latches. It shall have two each molded-in handles. It shall have an interlock design on the bottom and top to provide secure stacking for transport and storage. It shall be available for transport with optional Camdolly. It shall require no assembly and shall be available in 6 colors.

### Approvals



© Cambro Manufacturing Company 5801 Skylab Road, Huntington Beach, California 92647-2056-U.S.A.  
Telephone 714 848 1555 Toll Free 800 854 7631 Customer Service 800 833 3003