



T&S BRASS AND BRONZE WORKS, INC.
 2 Saddleback Cove / P.O. Box 1088
 Travelers Rest, SC 29690

Model No.
019003-40

Item No.

Travelers Rest, SC: 800-476-4103 • Simi Valley, CA: 800-423-0150 • Fax: 864-834-3518 • www.tsbrass.com



ADA Compliant

This Space for Architect/Engineer Approval

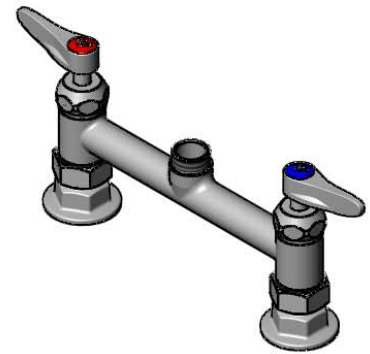
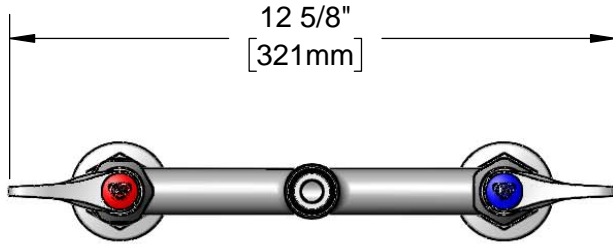
Job Name _____ Date _____

Model Specified _____ Quantity _____

Customer/Wholesaler _____

Contractor _____

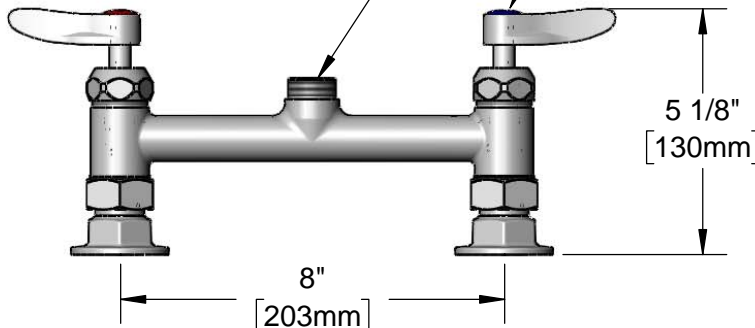
Architect/Engineer _____



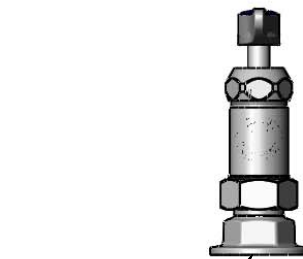
EZ-K
 EasyInstall Kit
 Converts Rigid Risers &
 Nozzles For Use with
 Swivel Outlet (Included)

Swivel Outlet Accepts
 Standard T&S Swing Nozzles
 and EasyInstall Risers.

Quarter-Turn Cerama
 Cartridges w/ Check
 Valves & Lever Handles
 w/ Color Coded Indexes



Adjustable From
 7 3/4" to 8 1/4"
 [197mm to 210mm]



Ø 2" [51mm]
 Flanges w/
 1/2" NPT
 Female Inlets

Product Specifications:
 8" Deck Mount Mixing Faucet (Less Nozzle), Quarter-Turn Cerama Cartridges
 w/ Check Valves, Lever Handles & 1/2" NPT Female Inlets

Product Compliance:
 ASME A112.18.1 / CSA B125.1
 NSF 61 - Section 9
 NSF 372 (Low Lead Content)
 ANSI A117.1 (ADA)



T&S BRASS AND BRONZE WORKS, INC.

2 Saddleback Cove / P.O. Box 1088
Travelers Rest, SC 29690

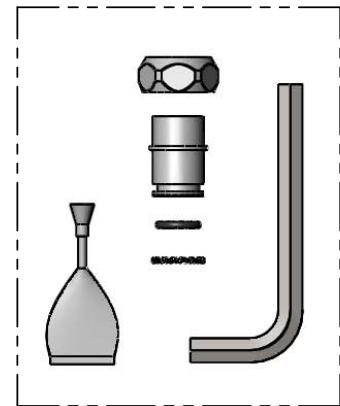
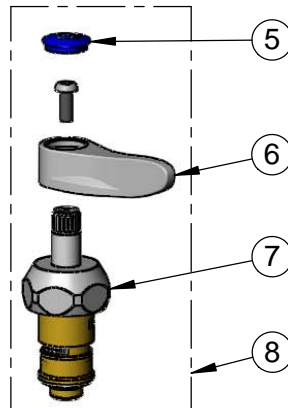
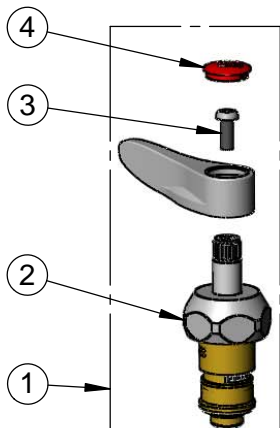
Model No.

019003-40

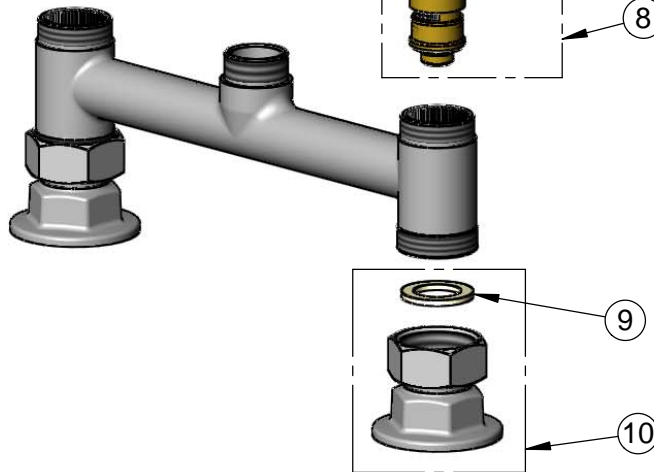
Item No.

Travelers Rest, SC: 800-476-4103 • Simi Valley, CA: 800-423-0150 • Fax: 864-834-3518 • www.tsbrass.com

| ITEM NO. | SALES NO. | DESCRIPTION |
|----------|-------------|---|
| 1 | 012446-25NS | Quarter-Turn Cerama Cartridge w/ Check Valve, Handle, Red Index & Screw, RTC |
| 2 | 012394-25NS | Quarter-Turn Cerama Cartridge w/ Check Valve, RTC |
| 3 | 000925-45 | Lab Handle Screw |
| 4 | 001193-19NS | Red Button Index, Press-in |
| 5 | 018506-19NS | Blue Button Index, Press-in |
| 6 | 001638-45NS | Lever Handle (New Style) |
| 7 | 012395-25NS | Quarter-Turn Cerama Cartridge w/ Check Valve, LTC |
| 8 | 012447-25NS | Quarter-Turn Cerama Cartridge w/ Check Valve, Handle, Blue Index & Screw, LTC |
| 9 | 001019-45 | Coupling Nut Washer |
| 10 | 00AA | 1/2" NPT Female Eccentric Flange |



EZ-K
Converts Rigid Outlets to EasyInstall for Use with T&S Swivel Base Faucets



Product Specifications:

8" Deck Mount Mixing Faucet (Less Nozzle), Quarter-Turn Cerama Cartridges w/ Check Valves, Lever Handles & 1/2" NPT Female Inlets

Product Compliance:

ASME A112.18.1 / CSA B125.1
NSF 61 - Section 9
NSF 372 (Low Lead Content)
ANSI A117.1 (ADA)