



Outperform every day.™

**Project:**

**Item Number:**

**Quantity:**

Standard Traditional Style Breath Guards

The Vollrath Company, L.L.C.

## STANDARD TRADITIONAL STYLE BREATH GUARDS



### DESCRIPTION

Traditional Contemporary breath guards are both light weight for easy installation and strong for long-term use. These breath guards can be used with Signature Server® and over drop-ins.

### FEATURES

- Constructed of 1½" (3.2 cm) extruded aluminum, Traditional breath guards are both light weight for easy installation and strong for long-term use
- ¼" (6.4 mm) tempered glass is secured in a tight-fitting channel, creating a continuous, clean line from framework to glass
- Available in natural aluminum finish or 9 stylish powder-coated colors
- Mounts to stainless steel, solid surface and laminate countertops

### WARRANTY

All models shown come with Vollrath's standard warranty against defects in materials and workmanship. For full warranty details, please refer to [www.Vollrath.com](http://www.Vollrath.com).

### BUILD A MODEL NUMBER

Step 1* Select Base Item			Step 2 Select Color		Optional Step 3 Select Accessories	
Length	For Use With Signature Server® With Stainless Steel Countertops	For Use Over Drop-ins and Signature Server® With Non-Stainless Steel Countertops	Suffix	Color	Not available for Single-Sided Buffet, Cafeteria and Vertical styles.	
					Suffix	Length
<b>Double-Sided Buffet</b>					<b>Fluorescent Lights</b>	
2-Well/Pan	—	PB89285	99	Standard Aluminum	66	2-Well/Pan
3-Well/Pan	89286	PB89286	00	Polished Chrome	67	3-Well/Pan
4-Well/Pan	89287	PB89287			92	4-Well/Pan
5-Well/Pan	89288	PB89288	10	Brass	93	5-Well/Pan
6-Well/Pan	89289	PB89289			94	6-Well/Pan
<b>Single-Sided Buffet with Top Shelf</b>					<b>Incandescent Lights</b>	
2-Well/Pan	—	PB89280	30	Black 80% Gloss	05	2-Well/Pan
3-Well/Pan	89281	PB89281	40	White Hammer	06	3-Well/Pan
4-Well/Pan	89282	PB89282			07	4-Well/Pan
5-Well/Pan	89283	PB89283	50	Copper Vein	08	5-Well/Pan
6-Well/Pan	89284	PB89284			09	6-Well/Pan
<b>Single-Sided Buffet</b>			60	Silver Vein	<b>Cayenne® Heat Strips</b>	
2-Well/Pan	—	PB89270			95	2-Well/Pan
3-Well/Pan	89271	PB89271	68	3-Well/Pan		
4-Well/Pan	89272	PB89272	97	4-Well/Pan		
5-Well/Pan	89273	PB89273	98	5-Well/Pan		
6-Well/Pan	89274	PB89274	11	6-Well/Pan		
<b>Cafeteria with Top Shelf</b>			<b>Cayenne® Heat Strips w/ Lights</b>			
2-Well/Pan	—	PB89265	13	2-Well/Pan		
3-Well/Pan	89266	PB89266	01	3-Well/Pan		
4-Well/Pan	89267	PB89267	02	4-Well/Pan		
5-Well/Pan	89268	PB89268	03	5-Well/Pan		
6-Well/Pan	89269	PB89269	04	6-Well/Pan		
<b>Vertical Cafeteria</b>						
2-Well/Pan	—	PB89260				
3-Well/Pan	89261	PB89261				
4-Well/Pan	89262	PB89262				
5-Well/Pan	89263	PB89263				
6-Well/Pan	89264	PB89264				

\*When ordering breath guards for Signature Server® bases with stainless steel countertops, 14 gauge countertops must be specified, will be supplied by Vollrath and added to the cost of the base. Please see the Vollrath Food Service List Prices book.

Due to continued product improvement, please consult [www.vollrath.com](http://www.vollrath.com) for current product specifications.



Outperform every day.™  
[www.vollrath.com](http://www.vollrath.com)

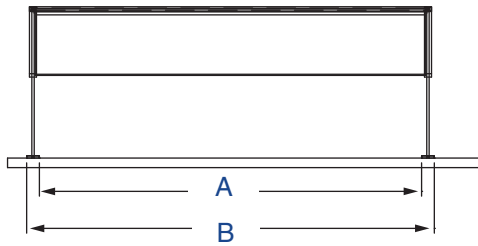
**The Vollrath Company, L.L.C.**  
1236 North 18th Street  
Sheboygan, WI 53081-3201 U.S.A.  
Main Tel: 800.624.2051 or 920.457.4851  
Main Fax: 800.752.5620 or  
920.459.6573

Technical Services  
[techservices@vollrathco.com](mailto:techservices@vollrathco.com)  
Induction Products: 800.825.6036  
Countertop Warming Products:  
800.354.1970  
All Other Products: 800.628.0832

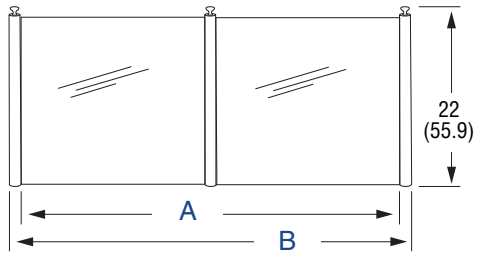
# STANDARD TRADITIONAL STYLE BREATH GUARDS

## DIMENSIONS (Shown in inches (cm))

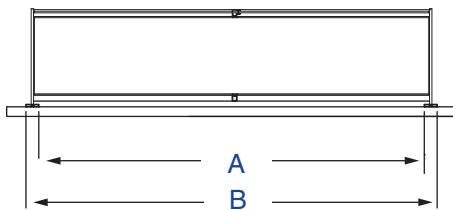
### Front View



Double-Sided Buffet, Single-Sided Buffet with Top Shelf and Single-Sided Buffet

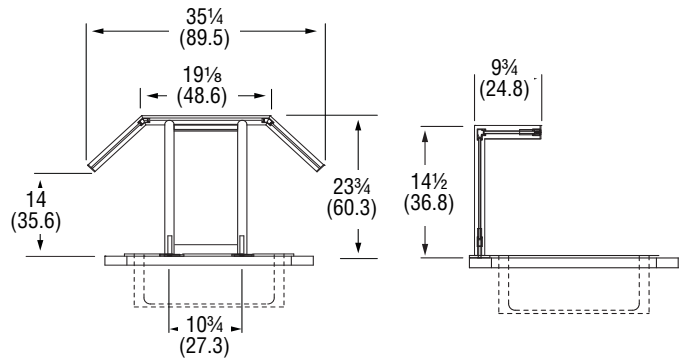


Vertical Cafeteria



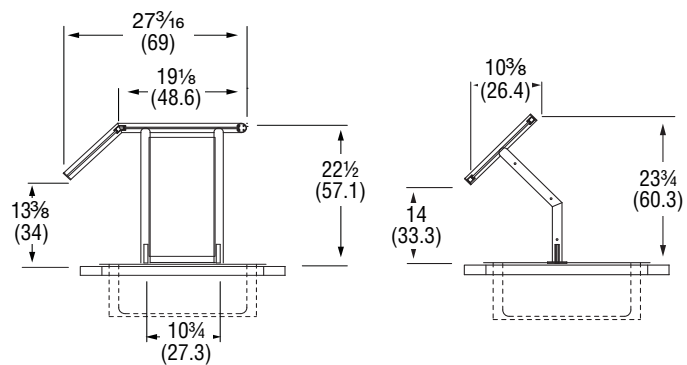
Single-Sided Cafeteria with Top Shelf

### Side View



Double-Sided Buffet

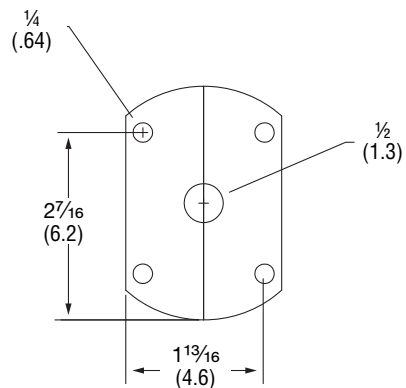
Cafeteria with Top Shelf



Single-Sided Buffet with Top Shelf

Single-Sided Buffet

### Base Plate



Style	(A) Inside of Flange to Inside of Flange	(B) Outside of Flange to Outside of Flange
<b>For Use With Signature Server® With Stainless Steel Countertops</b>		
Two-Well/Pan	28 (71.1)	30 (76.2)
Three-Well/Pan	41 (104.1)	45 (114.3)
Four-Well/Pan	55 (139.7)	59 (149.9)
Five-Well/Pan	69 (175.2)	73 (185.4)
Six-Well/Pan	83 (210.8)	87 (221)
<b>For Use Over Drop-ins or Signature Server® With Non-Stainless Steel Countertops</b>		
Two-Well/Pan	30 1/2 (77.5)	34 1/2 (87.6)
Three-Well/Pan	43 (109.2)	47 (119.4)
Four-Well/Pan	56 1/4 (142.9)	60 1/4 (153)
Five-Well/Pan	69 1/2 (176.5)	73 1/2 (186.7)
Six-Well/Pan	82 3/4 (210.2)	86 3/4 (220.3)



Outperform every day.™

[www.vollrath.com](http://www.vollrath.com)

**The Vollrath Company, L.L.C.**  
1236 North 18th Street  
Sheboygan, WI 53081-3201 U.S.A.  
Main Tel: 800.624.2051 or 920.457.4851  
Main Fax: 800.752.5620 or  
920.459.6573

**Technical Services**  
[techservicereps@vollrathco.com](mailto:techservicereps@vollrathco.com)  
Induction Products: 800.825.6036  
Countertop Warming Products:  
800.354.1970  
All Other Products: 800.628.0832