



Exact weight
Environments
more Rough



SCALES
ELECTRONICS
WATER PROOF

Model EQB-W

CAPACITY: 20, 50, 100 kg

**SCALES
Electronics**

MODEL **EQB-W**

- Waterjet washable.
- Hermetically Sealed Module.
- Stainless Steel Food Grade.
- continuous use Rechargeable Battery
- Conversion from kg to lb.

www.tor-rey-electronics.com



SCALES ELECTRONICS WATER PROOF



The EQB-W Scale has a total construction of stainless steel, the weight indicator module its hermetically sealed to make it Waterproof; allowing direct contact with foodstuffs, easy cleaning, supports moisture, temperature extremes and rough work for industry and commerce.



EQB-W 20

EQB-W 50 y 100

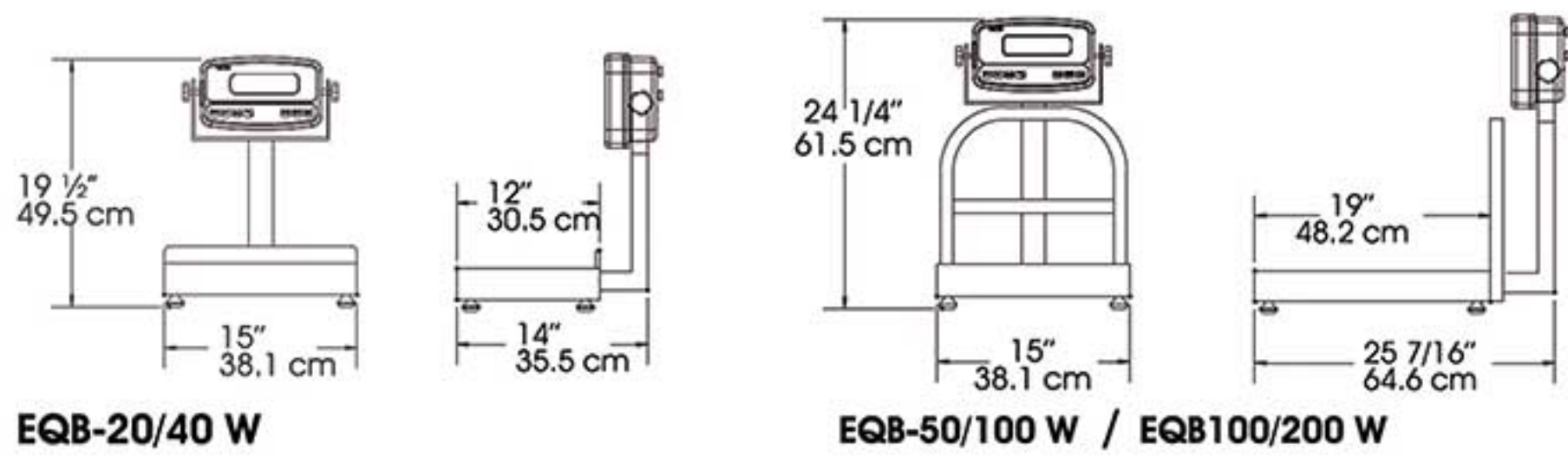
Main uses:

- Baler Seafood
- Trails
- Poultry
- Restaurants
- Fertilizer Companies
- Pharmaceutical

SPECS

	EQB 20/40 W	EQB 50/100W	EQB 100/200W
Capacity	20kg / 40lb	50kg / 100lb	100kg / 200lb
Minimum Division	0,005kg / 0,01lb	0,01kg / 0,02lb	0,02kg / 0,05lb
Display	Cuarzo Liquido		
Back Ligth	Incluido		
Power adapter	Incluido		
Electric current	100/240v 50/60hz		
Rechargeable Battery	Incluida para su uso continuo		
TARA maximum	20kg / 40lb	20kg / 100lb	100kg / 200lb
Plate	30.5 x 38 cm	48.2 x 38.1 cm	
Operating Temperature	-10 a 40°C (14 a 104°F)		
Storage Temperature	-20 a 50°C (-4 a 122°F)		
Net weight	10kg / 22,02lb	63kg / 152.1lb	
Weight with packaging	12kg / 26,43lb	19.6kg / 43.2lb	

EXTERNAL DIMENSIONS



EQB-20/40 W

EQB-50/100 W / EQB100/200 W

QUALITY CERTIFICATIONS



DISTRIBUTED BY



EASY READING

With high definition backlit display and large digits make reading in anywhere and at any angle.



PRACTICES FUNCTIONS

Provide your daily work TARE functions, and ZERO converter kg to lb.

BENEFITS

SAVINGS FOR YOUR BUSINESS
Receive exact kilos forever with no losses or errors! Your scale will be your best ally, ensuring that your business pays only what it receives and avoiding losses in your orders.

EFFICIENCY
100% Accurate even in the toughest job! It is ideal for working in hot and humid environments. Washable water jet to quicken their cleaning processes.

MODERNITY
Save time! With tare function you can weigh your products automatically eliminating the weight of containers, ice or containers.
Forget the mistakes converting kg to lb!
Receive and fill your orders without errors, easier and faster.
Take it to where the work is!
With continuous use rechargeable battery.

* Available only in equipment ordered with this specification.

ALL INFORMATION SUBJECT TO CHANGE WITHOUT NOTICE.