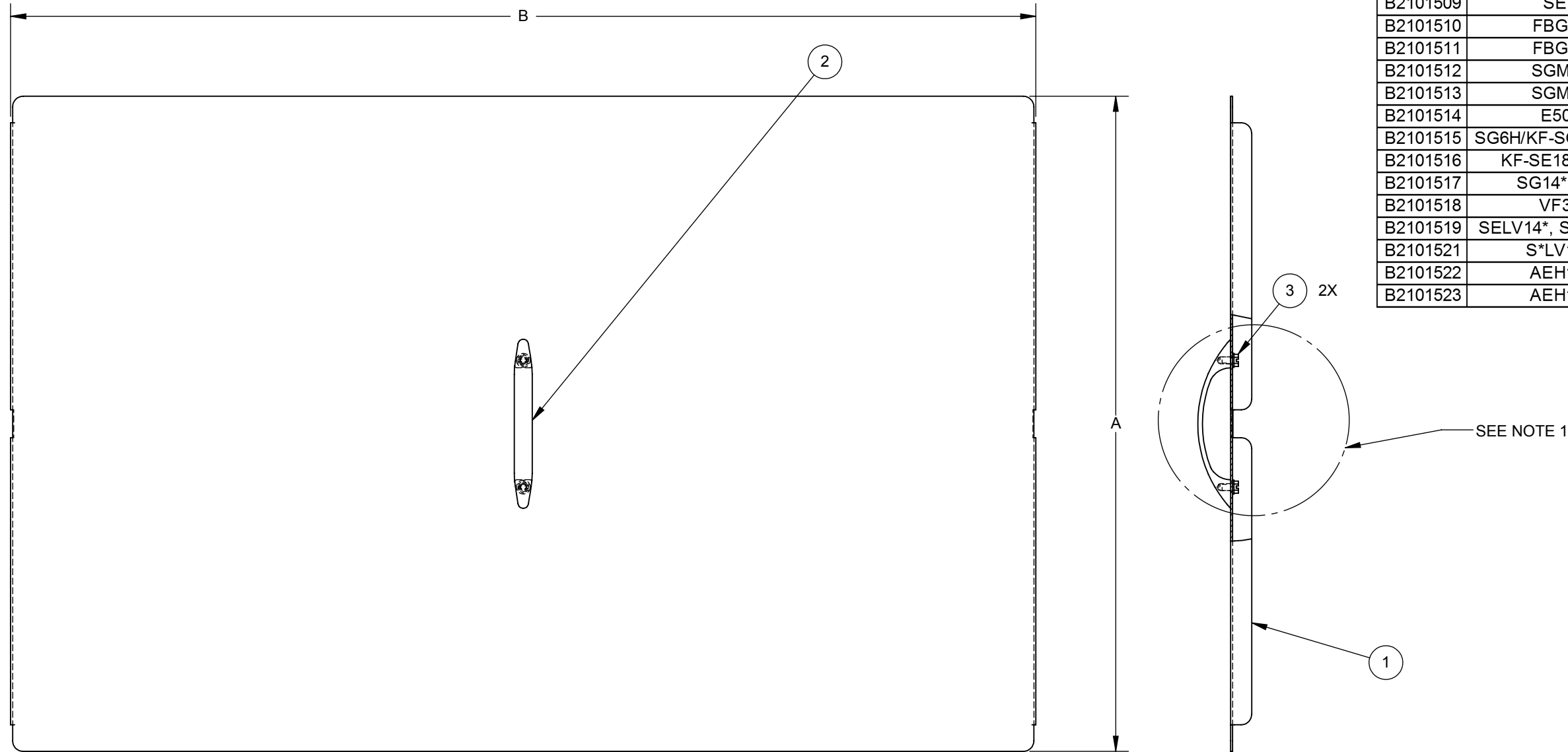


TABLE					
PART NO.	USED ON	P/N REV	P/N ECN	DIM A	DIM B
B2101501	SG14, SG14R, SG14T	A	9439	15.505	24.255
B2101502	SG18, SGM1824	A	9439	19.505	24.255
B2101503	SGH50, MGII	A	10625	15.500	19.705
B2101504	SGC	A	10824	14.751	19.205
B2101505	SE14, SE14T	B	11406	15.505	24.636
B2101506	SE18	B	11406	19.505	24.636
B2101507	SEH50, MEII	A	11154	15.500	19.505
B2101508	E35	A	11359	15.500	20.142
B2101509	SE7	A	11406	8.255	24.636
B2101510	FBG18	A	11637	19.400	23.900
B2101511	FBG24	A	11637	25.400	23.900
B2101512	SGM24	A	12146	25.505	24.255
B2101513	SGM34	A	12146	35.505	24.255
B2101514	E500	A	12386	19.500	25.142
B2101515	SG6H/KF-SG18 W/TH	A	13023	19.505	24.255
B2101516	KF-SE18 W/TH	A	13023	19.505	24.636
B2101517	SG14*FBG	A	13645	15.400	23.900
B2101518	VF35	A	14083	15.505	22.255
B2101519	SELV14*, SSHLV14*	B	16432	15.505	19.875
B2101521	S*LV184	A	16632	19.505	19.875
B2101522	AEH14*	A	16791	15.505	25.485
B2101523	AEH18*	A	16791	19.505	25.485



NOTES:  
1. FORM VIEW VARIES BETWEEN PART NUMBERS.

REV.	ECN	DRAWN BY	DATE	CHK	APPD
V	16791	S. Cyr	4/6/2015		
U	16632	M. Fulham	11/18/2014	SS	SS
T	16432	M. Fulham	6/19/2014	S.S.	S.S.
R	15560	S. Cyr	3/11/2013	S.S.	S.S.
P	14728	S. Cyr	11/30/2011	SS	SS
N	14083	DS	8/17/2010	RB	RB
REVISIONS					

UNLESS OTHERWISE SPECIFIED DIMENSIONS ARE IN INCHES AND TOLERANCES ARE:

.XX ± .03  
.XXX ± .015  
ANGLE ± .5°

NEXT ASSY:

USED ON: SEE TABLE

MATERIAL: SEE BOM

FINISH: NONE

PROPRIETARY AND CONFIDENTIAL THE INFORMATION CONTAINED IN THIS DRAWING IS THE SOLE PROPERTY OF PITCO FRIALATOR INC. ANY REPRODUCTION IN PART OR AS A WHOLE WITHOUT THE WRITTEN PERMISSION OF PITCO FRIALATOR INC. IS PROHIBITED.

**Pitco MagiKitch'n ANETS** P.O. BOX 501  
CONCORD, NH  
03302-0501

TITLE: TANK COVER, ASSEMBLY

PART NO: SEE TABLE	SIZE <b>B</b>	DWG NO: <b>B21-015</b>	REV: <b>V</b>
SCALE: 1:3	SHEET: 1 OF 1		