



HYPERSTEAM PRESSURELESS STEAMER

STACKED ELECTRIC MODEL (2)HY-5E/EF

Steamer shall be a Groen Model (2)HY-5E stainless steel double stacked pressureless steamer, each with a self-contained atmospheric 15.5 KW electric steam generator.

PROJECT NAME:

LOCATION:

ITEM NO:

QTY:

MODEL NO:

AIA NO:

SIS NO:

CONSTRUCTION: Each steamer cavity and cabinet shall be all stainless steel construction with removable right and left side panels providing access to internal components. Steamer doors are all stainless steel with strong continuous hinge and are field reversible for left or right swing, doors shall be provided with a one piece, replaceable seal. Easy open handle and latch shall provide positive lock and seal when door is pushed or slammed shut. Hidden magnetic door switch cuts power to blower and shuts down power to generator when that door is opened. Pan support racks shall be polished stainless steel and removable for easy cleaning. A stainless steel condensate collection tray is positioned under each cavity door.

FINISH: Cabinet exterior including doors shall be finished to a #3 uniform finish. Cavity interiors are polished stainless steel. Control panel face plates shall be smudge resistant polyester film, ensuring maximum ease in cleaning and maintaining an attractive appearance.

UL LISTING: Steamer shall be UL listed.

SANITATION: Unit shall be designed and manufactured to meet NSF codes and be NSF listed. Unit shall allow operator to delime steam generator through delimiting port on top, without tools or service call. Push button auto-clean feature is standard.

CONTROLS: Steamer controls shall include an ON-OFF power button; 60 minute mechanical timer, with continuous steam setting; and READY light which indicates when cavity is warm and ready for steaming. Auto-clean button initiates delimiting cycle for each unit.

PERFORMANCE FEATURES: Each steamer shall have a powerful side mounted blower, which increases steam velocity and provides efficient steam distribution throughout cavity and between loaded pans. Steam generator delivers 3.1 KW power input per 2 1/2" deep steam pan. Heat up time to READY shall be 10 minutes or less,

under normal conditions. Cavity is kept warm and ready for instant steam between loads. No cavity warm up required, after READY light comes on. Delime indicator light warns operator of need to delime steam generator. Unit will shut off if water level is low. When power is turned "off", unit automatically blows down the steam generator to reduce sediment build-up.

ATMOSPHERIC STEAM GENERATOR:

Each unit shall have an electric heated rear mounted steam generator to provide atmospheric steam to the chamber at a temperature of approximately 212°F. Steam generator has an electric water sensor. Electric heating elements are replaceable from the side.

PAN CAPACITY:

| Pan Size/Type | Per cavity | Total |
|------------------|------------|-------|
| 12 x 20 x 1" | 10 | 20 |
| 12 x 20 x 2-1/2" | 5 | 10 |
| 12 x 20 x 4" | 3 | 6 |

INSTALLATION: Unit requires two 208, 240 or 480 volt, single or three phase electric service connections. Unit requires two 3/4" NH cold water supply lines and 2" free venting drain.

WATER SUPPLY REQUIREMENTS:

All steam systems are subject to contamination and failure due to mineral content found in all water supplies. To minimize service problems, a Groen PureSteam Water Treatment System is recommended.

ORIGIN OF MANUFACTURE: Designed and manufactured in the United States.

10-Pan capacity stainless steel stacked pressureless steamer, table top or stand mounted, self-contained, electric-heated. (model (2)HY-5E shown)



OPTIONS/ACCESSORIES:

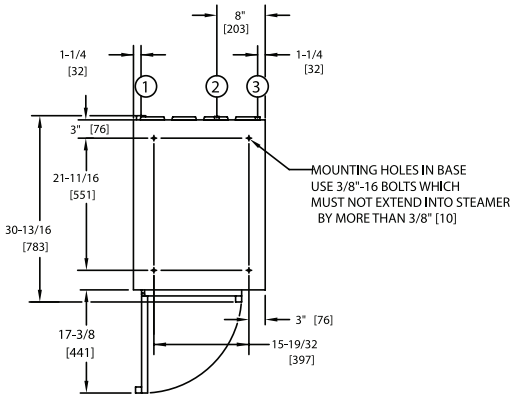
- Groen PureSteam Water Treatment System
- Single cold water connection adaptor

SERVICE CONNECTIONS & NOTES:

- ① DRAIN CONNECTION: 2" [51] TUBE (DRAIN FREE VENTING).
- ② TREATED & UNTREATED WATER SUPPLY AT 30 TO 60 PSIG WITH A FLOW RATE OF 0.75-1.50 GPM PER CAVITY (1.50-3.00 GPM TOTAL) AND WITH TWO 3/4" NH CONNECTIONS.
- ③ TWO ELECTRICAL CONNECTIONS: 1" [25] CONDUIT FITTING.
- ④ MINIMUM REAR AND SIDE CLEARANCE: REAR = 6" [152] LEFT SIDE = 2" [51] RIGHT SIDE = 2" [51]
- ⑤ DIMENSIONS IN BRACKETS [] ARE MM.



P/N 126000 REV E



| ELECTRICAL REQUIREMENTS (EACH UNIT) | | | |
|-------------------------------------|-------|------|---------|
| VOLTAGE | PHASE | AMPS | MAX. KW |
| 208 | 1 | 74.5 | 15.5 |
| | 3 | 44 | 15.5 |
| 240 | 1 | 64.6 | 15.5 |
| | 3 | 38.2 | 15.5 |
| 480 | 1 | 32.3 | 15.5 |
| | 3 | 19.1 | 15.5 |

