



BEVERAGE-AIR

Project: _____

AIA#

Item: _____

Location: _____

SIS#

Approved: _____

WTR 29" DEPTH WORKTOP

WTR27AHC Glass Door Worktop Refrigerators Hydrocarbon Series

MODELS:
WTR27AHC-25



WTR27AHC-25

3 Year Parts/Labor Warranty
Additional 2 Year Compressor Warranty

CABINET CONSTRUCTION

- Stainless steel front, sides and door, *(galvanized back & bottom)*
- Interior liner is made of corrosion resistant aluminum
- Stainless steel top
- 4" Removable backsplash for flexibility and ease of cleaning
- Full electronic control
- LED light standard
- Interior thermometer is standard
- Self-closing doors with 120° stay-open feature, on cartridge style hinges
- Magnetic gasket attached to each door for positive seal
- Anti-microbial door handle
- 6" Casters with two (2) brakes
- Two epoxy-coated steel wire shelves standard
- Field reversible door
- Operates at 36° –38°F for optimum food preservation

OPTIONS & ACCESSORIES

- Stainless steel back and grille.
- Stainless steel interior available
- Glass door with lock
- Solid door with lock
- Drawer units
- Shelf divider
- 6" Legs
- 3" Casters
- Low profile casters
- Cutting board
- Foot pedal door opener
- Remote option

REFRIGERATION SYSTEM

- Refrigeration system uses R290 refrigerant to comply with all environmental concerns
- Automatic, non-electric evaporator
- System is serviceable from rear
- Epoxy coated evaporator coil

WTR27AHC 29" Depth Worktop: Food Prep Series



3779 Champion Blvd., Winston-Salem, NC 27105
1-888-845-9800 Fax: 1-336-245-6453
Beverage-Air.com sales@bevair.com

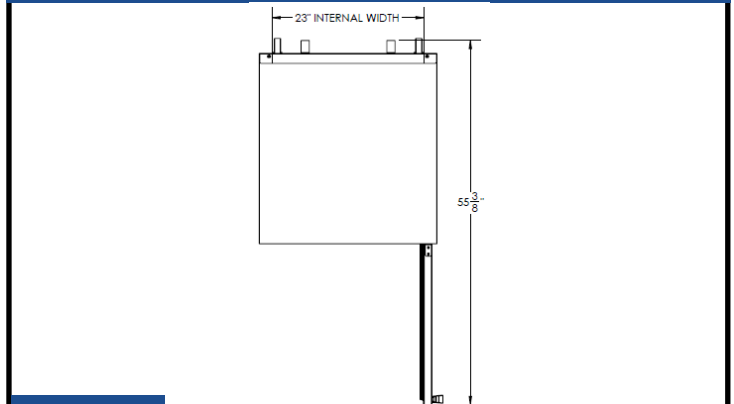


BEVERAGE-AIR

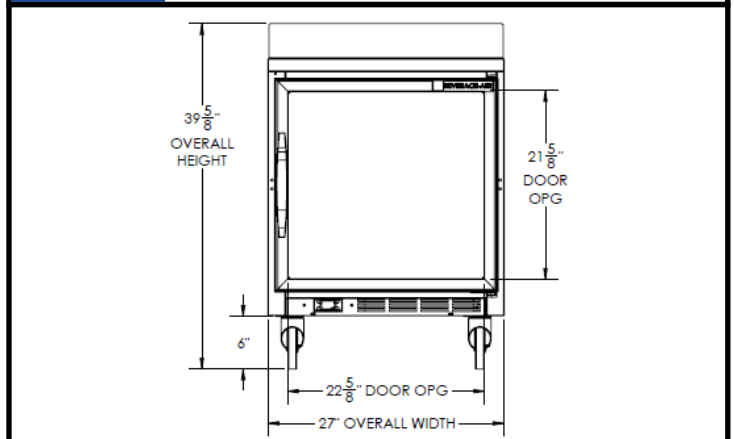
Worktop Refrigerator - 29" Depth Models: WTR27AHC-25

| MODEL | WTR27AHC-25 |
|------------------------------------|----------------------------------|
| EXTERNAL DIMENSIONAL DATA | |
| Width Overall | 27" |
| Depth Overall with Handle & Bumper | 32 5/8" |
| Height Overall with 6" Casters | 39 5/8" |
| Number of Doors | 1 |
| Depth with Door Open 90° | 55 3/8" |
| Door Opening (in) | 22 5/8" x 21 5/8" |
| Shelf Area (sq. in) | Upper 389 3/8" Lower 322 5/8" |
| INTERNAL DIMENSIONAL DATA | |
| NET Capacity (cubic ft.) | 6.04 |
| Internal Width Overall (in) | 23" |
| Internal Depth Overall (in) | 23 1/2" |
| Internal Depth Useable (in) | Upper 18 1/2" Lower 15 3/8" |
| Internal Height Front (in) | 23" |
| Internal Height Rear (in) | 16" |
| Number of Shelves | 2 |
| ELECTRICAL DATA | |
| Full Load Amperes 115/60/1 | 1.82 |
| REFRIGERATION DATA | |
| Horsepower | 1/6 |
| Capacity (BTU/Hr)* | 994 |
| WEIGHT DATA | |
| Gross Weight (Crated lbs) | 184 lbs |
| Height - Crated | 36" |
| Width - Crated | 30" |
| Depth - Crated | 32" |

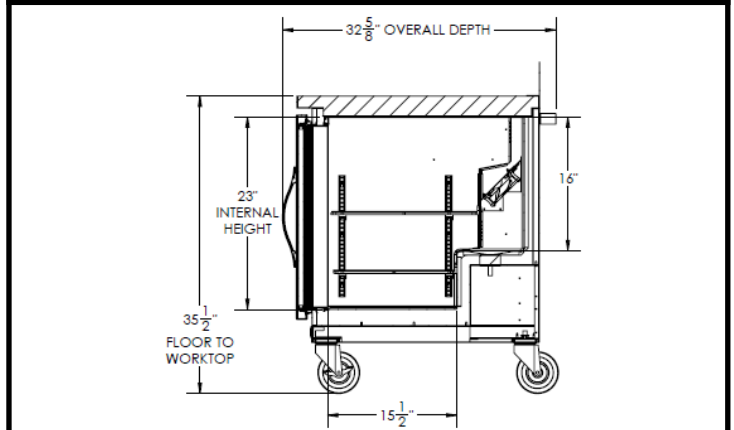
Model Views



Plan View



Elevation View



Side View

ELECTRICAL CONNECTION



115/60/1
NEMA-5-15P

Units pre-wired at factory and include 8' long cord and plug set.



an Ali Group Company



The Spirit of Excellence

3779 Champion Blvd., Winston-Salem, NC 27105
1-888-845-9800 Fax: 1-336-245-6453
Beverage-Air.com sales@bevair.com