

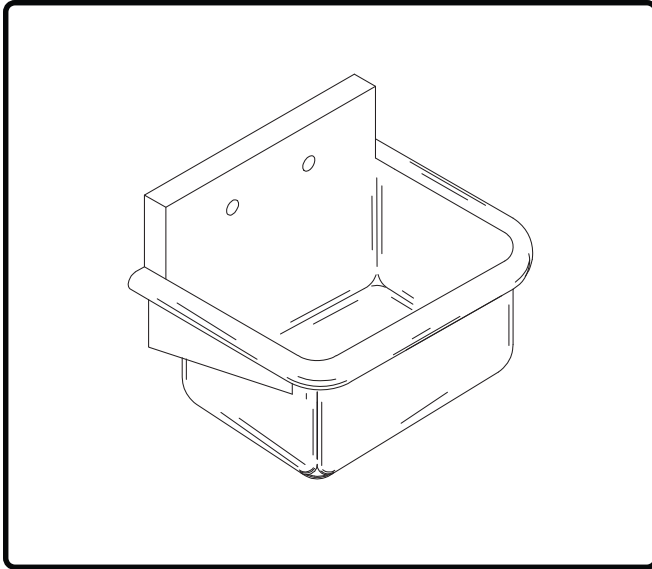


INSTITUTIONAL GROUP

JS-122

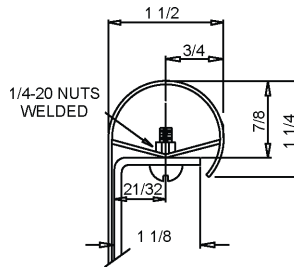
SINGLE STATION SURGEON'S SCRUB SINK

SUBMITTAL DATA

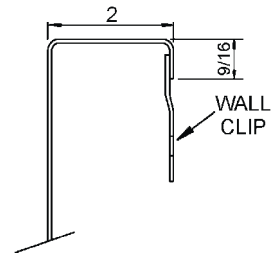


SPECIFICATION

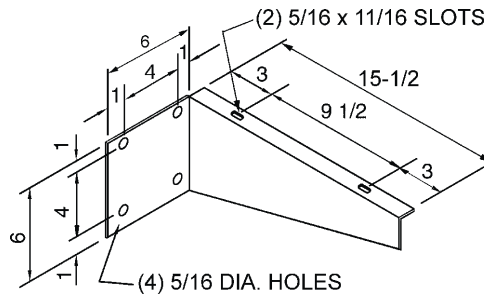
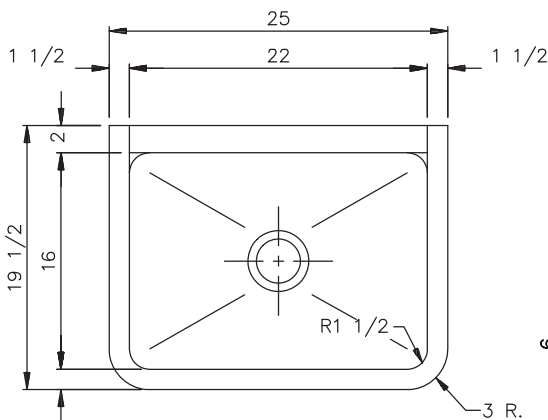
Seamless welded construction, fabricated of 14 gauge type 304 stainless steel. 1-1/2" dia. roll rim on front and sides. Interior surfaces polished to a Hand-Blended Just Finish. Exposed exterior surfaces polished with a standard brush finish. Furnished with two 14 gauge type 304 stainless steel wall brackets, and one 14 gauge stainless steel wall clip. Drain punch #35 centered for Just J-35 drain.



**SECTION THRU RIM
LEFT/RIGHT**



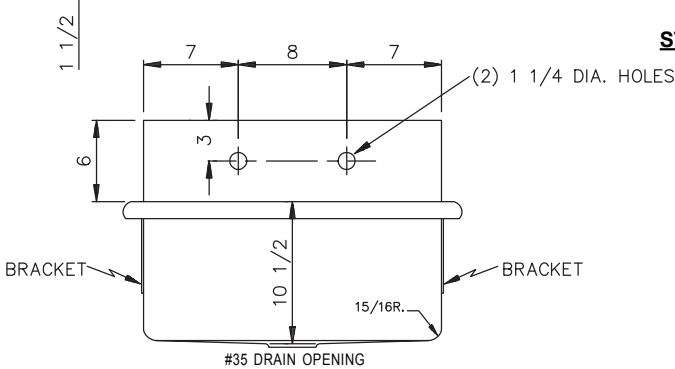
**SECTION THROUGH
BACKSPLASH**



**DETAIL OF 14 GA.
STAINLESS STEEL BRACKETS**

To be specified :

- Faucet hole punching:
- (1) Hole Centered
- (2) Holes on 8" centers (illustrated)
- (3) Holes on 4" centers



FUNCTIONAL DESIGN, QUALITY, AND SPECIFICATIONS LISTED DESCRIBE THE JUST STANDARD OF QUALITY. WHEN MAKING COMPARISONS WITH OTHER OFFERINGS, INSIST ON THE JUST QUALITY OF CONSTRUCTION. FOR ADDITIONAL INFORMATION REGARDING THE COMPLETE LINE OF **JUST** SINKS, FAUCETS AND DRAINS, VISIT OUR WEB SITE AT www.justmfg.com

Job Name _____
Customer _____
Architect/Engineer _____

APPROVED FOR MANUFACTURING

MODEL NO. JS-122 QTY. _____

COMPANY _____

TITLE _____ DATE _____

SIGNATURE _____

JUST MANUFACTURING COMPANY

9233 KING STREET . FRANKLIN PARK . ILLINOIS . 60131-2111

PH: 847-678-5150 . FAX: 847-678-6817 . E-MAIL: custserv@justmfg.com . www.justmfg.com

REVISED-5/2004