



Outperform every day.™

Project:

Item Number:

Quantity:

MIRAGE® BUFFET INDUCTION WARMERS



Mirage® Buffet Induction Warmers

DESCRIPTION

The Mirage® Buffet Induction Warmers, available in countertop and drop-in styles, are ideally suited for buffet and catering operations.

Maximize your menu offerings without maxing out your electrical capacity. The low wattage warmers can be interconnected to one electrical outlet, which simplifies the planning and management of power cords, access to outlets and load capacity.

The Mirage® Buffet Induction Warmers are equipped with a variety of safety features including:

- Over-heat protection
- Small-article detection
- Pan auto-detection function
- Empty-pan shut-off

WARRANTY: All models shown come with Vollrath's standard warranty against defects in materials and workmanship. For full warranty details, please refer to www.Vollrath.com.

Agency Certifications



This device complies with Part 18 FCC Rules.

Due to continued product improvement, please consult www.vollrath.com for current product specifications.

ITEMS

Item No.	Model No.	Description
5950275	59502XX	Countertop, Black (US/Canada)
5950280	59502XX	Countertop, Natural (US/Canada)
59502DW	59502DW	Drop-in (US/Canada)

FEATURES

- Connect up to three warmers with the included interconnect cords. The center warmer must connect to the electrical outlet.
- Up to five warmers (at maximum power) can be connected to a 15 amp circuit
- Storage compartment under warmer conveniently holds cords when not in use
- Touch controls
- Four power levels - low, medium, high and chafer preheat
- LED indicator lights on control panel and glass top
- Tempered black ceramic glass top is strong, non-porous and easy to clean
- Low profile design puts the focus on the food and compliments any decor
- Drop-in warmers can be installed overhanging countertop or countersunk
- 6 ft. (183 cm) cord with plug
- 30 in. (76.2 cm) interconnect cord
- 5 ft. (152.4 cm) USB cable for remotely mounted control box for drop-in warmers
- Full one-year parts and labor warranty

ACCESSORIES

- 59145 Carrying Case

IMPORTANT

- This appliance is intended for use with induction-ready serving vessels.
- Countertop models require 4" (10 cm) clearance between the back of the warmer and any surrounding surface, 2" (5.1 cm) between the sides of the warmer and any surrounding surface and under the warmer, a distance equal to the height of the feet of the warmer.
- Drop-in models require a minimum of 2" (5 cm) of space between all four sides of the induction warmer and any surrounding surface, and a minimum 12" (30.5 cm) between the bottom of the induction warmer and any surrounding surface.
- Control box for drop-in models requires a minimum of 4" (10 cm) behind the control box and any surrounding surface.
- All models require unrestricted intake and exhaust air ventilation for proper operation of the controls. The maximum intake temperature must not exceed 110°F (43°C). Temperatures are measured in ambient air while all appliances in the kitchen are in operation.

Approvals	Date



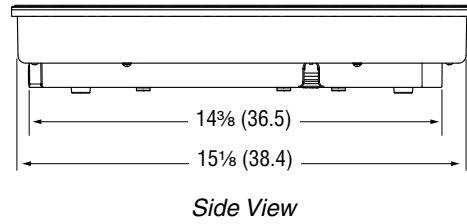
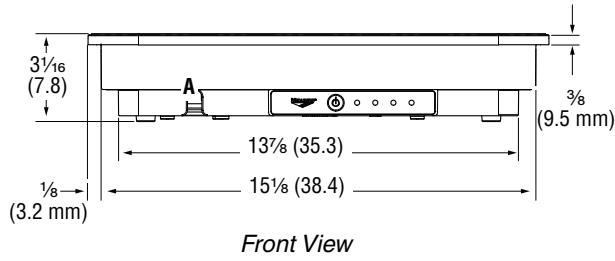
Outperform every day.™
www.vollrath.com

The Vollrath Company, L.L.C.
1236 North 18th Street
Sheboygan, WI 53081-3201 U.S.A.
Customer Service: 800.628.0830
Canada Customer Service: 800.695.8560
Main Fax: 800.752.5620 or 920.459.6573

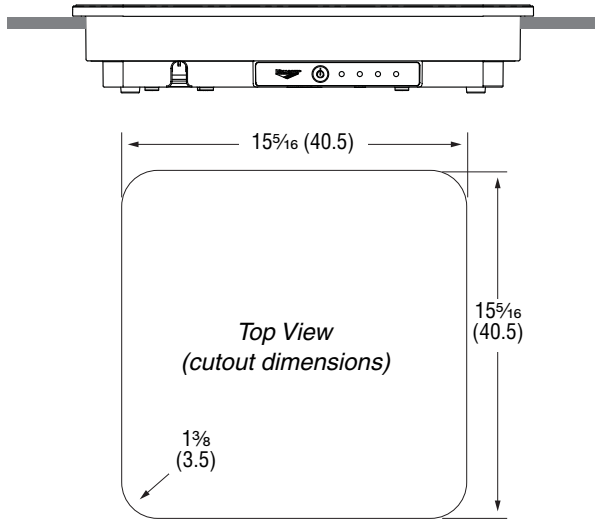
Technical Services: 800.628.0832
Technical Services Fax: 920.459.5462

MIRAGE® BUFFET INDUCTION WARMERS

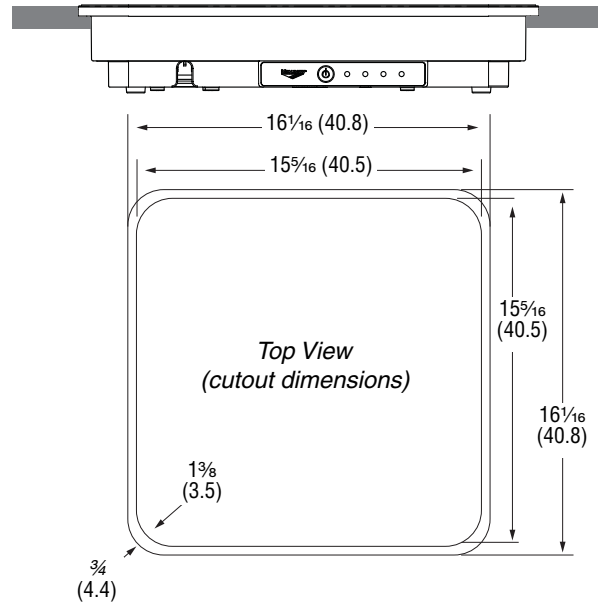
DIMENSIONS (Shown in inches (cm))



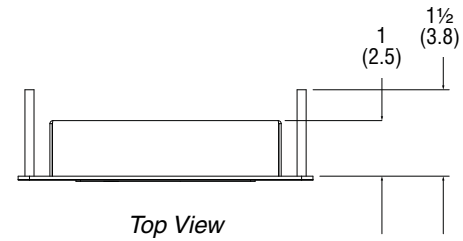
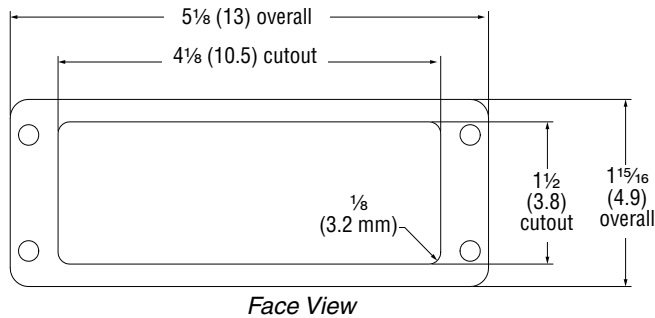
Drop-in Model, Overhung Installation



Drop-in Model, Countersunk Installation



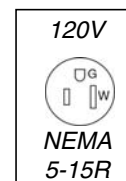
Control Box (drop-in models only)



SPECIFICATIONS

Item No.	Description	Max Pan Size	Watts	Volts	Amps	Hz	Plug	Weight LB (KG)
5950275	Countertop, Black	14 (35.6)	300	120	2.5	50/60	NEMA 5-15P	14 (6.4)
5950280	Countertop, Natural							
59502DW	Drop-in							

Receptacle



Outperform every day.™

www.vollrath.com

The Vollrath Company, L.L.C.
 1236 North 18th Street
 Sheboygan, WI 53081-3201 U.S.A.
 Customer Service: 800.628.0830
 Canada Customer Service: 800.695.8560
 Main Fax: 800.752.5620 or 920.459.6573

Technical Services: 800.628.0832
 Technical Services Fax: 920.459.5462