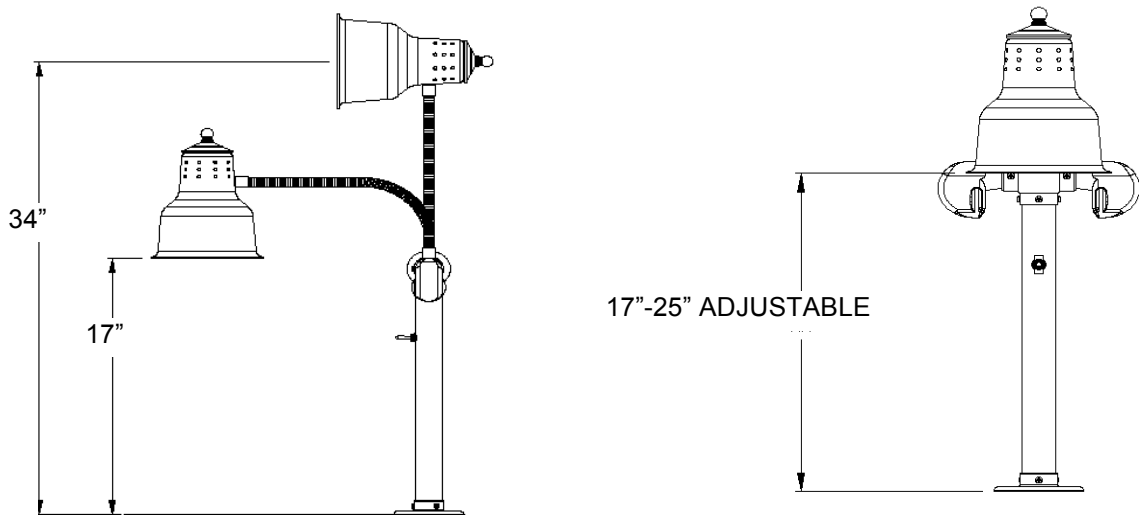
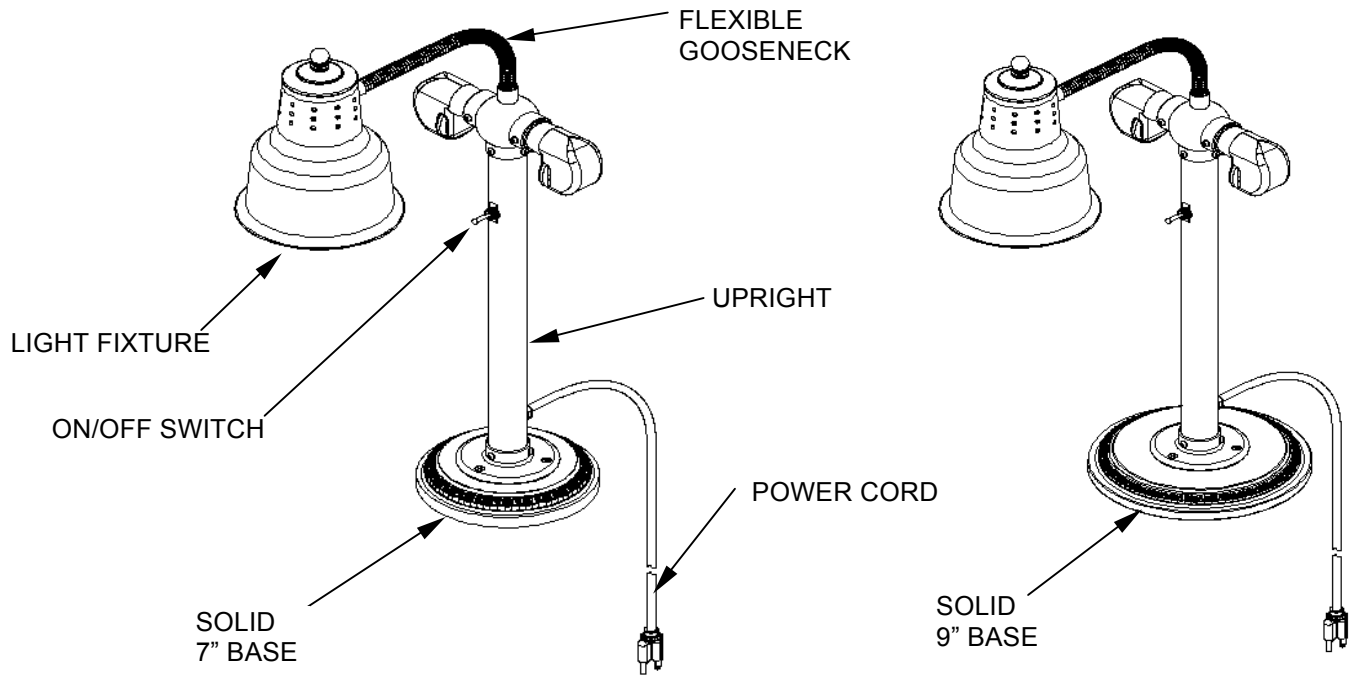


SLM Free Standing Single Lamps



BASES NOT SHOWN FOR CLARITY

SLM Free Standing Single Lamps

Description: Single heat lamp fixture mounted on a 7" or 9" solid or antique base. CH models denote mirror polished Stainless Steel construction. BR models denote Brass construction with baked-on enamel finish to eliminate need for polishing. All internal components including lamp sockets and wiring are high temperature rated (200°C). Switch is rated for 15 amps @ 120 volts. Power cord exits through back of upright.

Standard Models	
Model Number	Description
SLM/RB9/SOL/BR	Free standing single lamp warmer on 9" solid base, Polished Brass
SLM/RB9/SOL/CH	Free standing single lamp warmer on 9" solid base Mirror Polished S.S.
SLM/RB9/SOL/BC	Free standing single lamp warmer on 9" solid base Bright Copper finish
SLM/RB9/SOL/SC	Free standing single lamp warmer on 9" solid base Smoked Copper
SLM/RB9/SOL/SS	Free standing single lamp warmer on 9" solid base Brushed Stainless
SLM/RB9/ANT/BR	Free standing single lamp warmer on 9" solid base Polished Brass
SLM/RB9/ANT/CH	Free standing single lamp warmer on 9" antique base Mirror Polished SS
SLM/RB9/ANT/SS	Free standing single lamp warmer on 9" antique base Brushed Stainless
Custom Finishes Available	
Specifications	
Mechanical	
Parameter	Value
Light head	Approximately Ø6.50" x 9.0" long
Light head height from mounting surface	Adjustable 17"-25"
Shipping weight	Approximately 18 pounds
Internal wiring	18 gauge Silver stranded with Teflon insulation. Rated (200° C)
Lamp socket	Glazed porcelain/nickel. Rated (200° C)
Switch	On/Off rated 15 amps @ 115 VAC
Power cord	115 VAC-18 gauge 3 conductor cable 84" long with Nema 5-15P plug (standard) 230 VAC-18 gauge 3 conductor harmonized cable 84" long with Schuko plug (standard).
Electrical	
Operating Voltage	115-230, VAC 50-60 Hz, single phase
Power	250 watts Maximum
Operating amperage	2.25 amps (115 VAC) 1.25 amps (230 VAC)
Lamp type	Infrared 250 watts maximum, shatterproof design
Safety Listings	
Organizations	