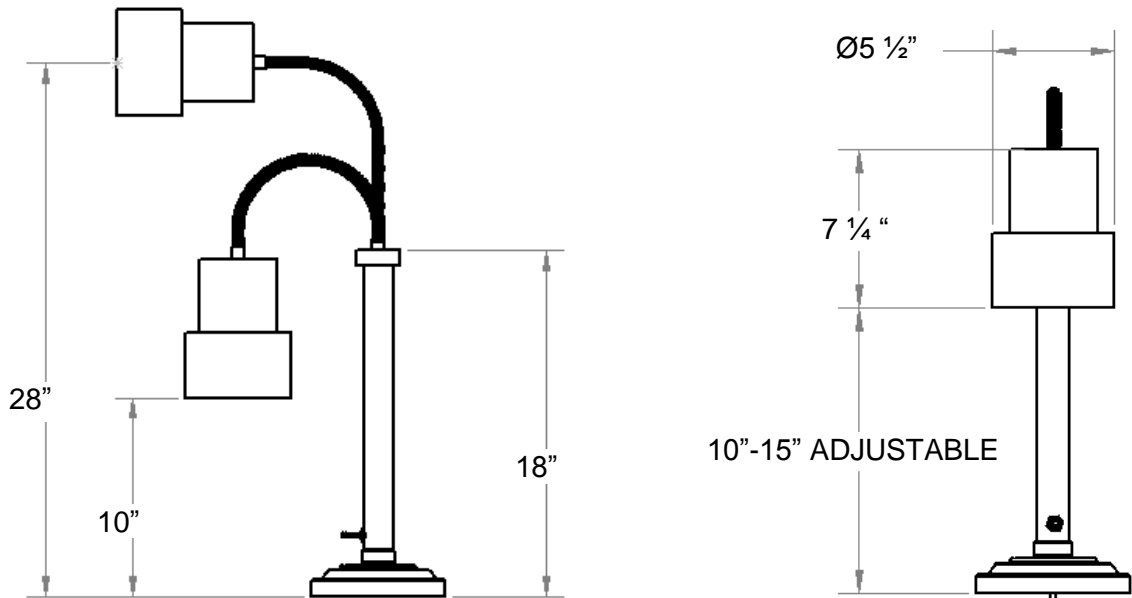
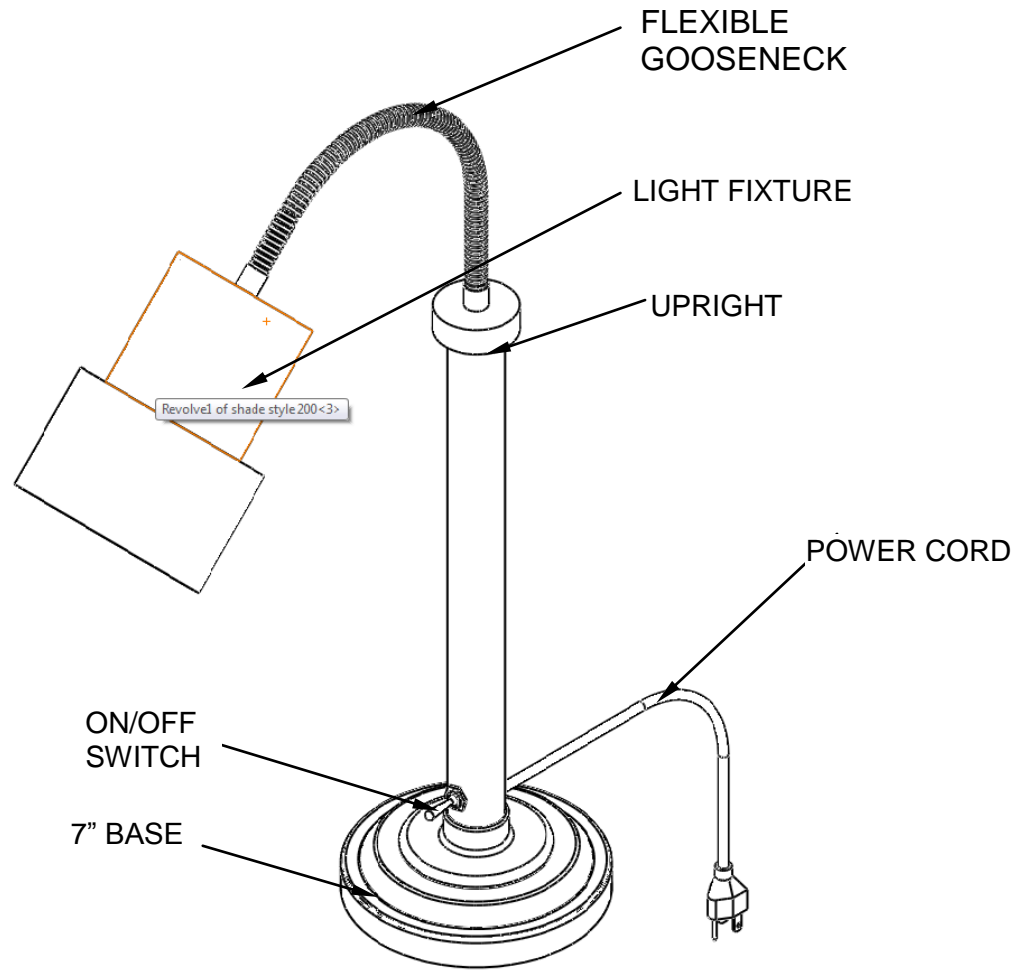


SLM-200-ST Free Standing Single Lamp



SLM-200-ST Free Standing Single Lamp

Description: Single heat lamp fixture mounted on 7" stainless steel round base. Clean "modern" design with no exposed fasteners. All stainless steel construction Standard finishes are brushed or polished. All internal components including lamp sockets and wiring are high temperature rated (200°C). Switch is rated for 15 amps @ 120 volts.

Standard Models	
Model Number	Description
SLM/200/ST/CH	Free standing single lamp warmer stainless steel with mirror polished finish
SLM/200/ST/BSH	Free standing single lamp warmer stainless steel with brushed finish.
Custom Finishes Available. Please consult factory.	
Specifications	
Mechanical	
Parameter	Value
Light head	Approximately Ø5.50" x 7 ¼" long
Light head height from mounting surface	Adjustable 10"-15"
Upright and all fittings	Stainless steel
Overall weight	16 Pounds
Internal wiring	18 gauge Silver stranded with Teflon insulation. Rated (200° C)
Lamp socket	Glazed porcelain/nickel. Rated (200° C)
Switch	On/Off rated 15 amps @ 115 VAC
Power cord	115 VAC-18 gauge 3 conductor cable 84" long with Nema 5-15P plug (standard) 230 VAC-18 gauge 3 conductor harmonized cable 84" long with Schuko plug (standard).
Electrical	
Operating Voltage	115-230, VAC 50-60 Hz, single phase
Power	250 watts Maximum
Operating amperage	2.17 amps (115 VAC) 1.09 amps (230 VAC)
Lamp type	Infrared 250 watts maximum