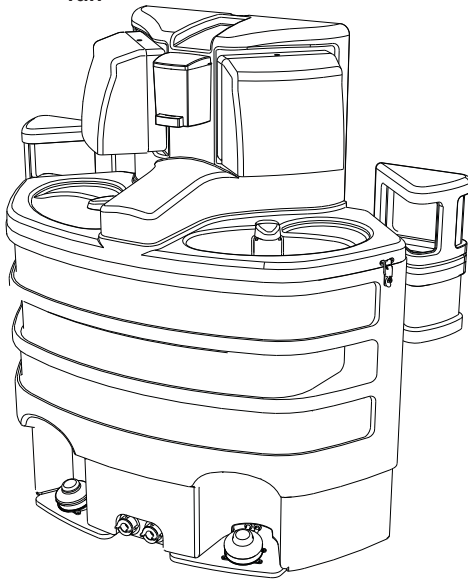




SK3 Applause™ 3000 Wash Station with Water Hookups Operations & Maintenance Guide

Color Options

- Granite Gray
- Tan



SPECIFICATIONS

Dimension	Imperial	Metric
Height	47.5 in	121 cm
Width	50.5 in	128 cm
Depth	21.7 in	55 cm
Weight	80 lb	36 kg
Capacity	60 gal	227 L
Pump Capacity (per stroke)	2 fl oz	59.14 ml
Number of Single Dispenses	3840	3840
Paper Towel Capacity	1000 (4 pks-Georgia Pacific 23504) or (2 rolls-Baywest Ecosoft 46200)	
Soap Dispenser Capacity	30 fl oz	887 ml

All materials, including resin, pigments and additives used to make the plastic components as well as the plumbing components that come in contact with the fresh water are U.S. FDA food grade compliant.

NOTE: All dimensions are subject to change due to environmental factors.

POLYJOHN USA

PolyJohn Enterprises Corp
2500 Gaspar Ave.
Whiting, IN 46394
Phone: 800-292-1305
Fax: 219-659-0625
www.polyjohn.com
info@polyjohn.com

POLYJOHN WORLDWIDE

PolyJohn (UK) Ltd.
Equinox 1 Audby Lane
Wetherby, England LS22 7RD
Phone: 44 (0) 1937-583333
Fax: 44 (0) 1937-583322
www.polyjohn.co.uk
sales@polyjohn.co.uk

POLYJOHN CANADA

PolyJohn Canada
P.O. Box 2300
199 Forest Plain Rd.
Orillia, Ontario LV3 6S2
Phone: 800-465-9590
Fax: 705-325-8250
www.polyjohncanada.ca
info@polyjohncanada.ca

We recommend reading through the entire booklet prior to proceeding with installation, service or maintenance. All references to left and right throughout this guide are as viewed from the front.

General Product Overview

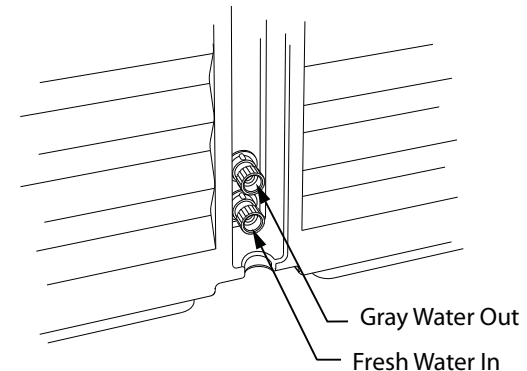
This is a uniquely designed two-station "Water-Mains Hookup Sink". The sink must be hooked up to a fresh water source as well as a drain for gray water. The sink is designed to hold a small amount of fresh water in the tank. The amount of water is controlled with a float operated valve. A wing-nut located on the bottom of the valve can be loosened and the float adjusted up or down to the desired water level. The water acts as a ballast, the more water allowed into the sink, the heavier the sink is. The sink basins are plumbed directly to a tee connected to the top fitting exiting the rear of the sink. The top fitting is for the gray water connection and must be connected to a drain. The sink can be easily converted into a "stand-alone sink" by means of an optional "flexible vinyl liner". The built-in recessed handles allow for transport, while the hinged lid provides easy access to the internal components. The three ribbed design provides strength and offers space for "strip" advertisements.

Assembly Instructions

Float Valve Assembly - Attach the PC-000361 - Plastic Float to the PC-000362 - Float Valve Connector Rod. Remove the towel chutes from the trash bag holders and release the latch locks. Thread the float with rod assembly to the PC-000360 - Float Valve Shutoff (which is already connected at the bottom inside rear of the sink). **NOTE: The float valve is adjustable by loosening the wing-nut, and then adjusting the float accordingly by moving it up for more water, down for less and then tightening the wing-nut.**

Water-Mains Hookup

Located at the bottom rear of the sink are the fittings for the Water-Mains Hookup. The bottom fitting is used for "fresh water" and the top fitting is used for "gray water".



Operations Information

Fresh Water Plumbing

The plumbing system in this sink is simple and requires minimal maintenance. If the system becomes plugged, first check the foot pumps. Depress each foot pump and observe the level of resistance. If there is resistance and water is not dispensed, there is most likely an obstruction in the tube or at the orifice of the water spigot. If there is no resistance and the water is not dispensed, then either a.) a tube connection is loose or b.) an internal rubber part of the pump needs replacing.

Emptying Fresh Water

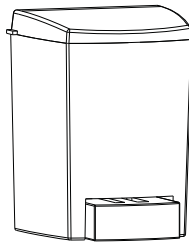
A drain port is located at the bottom left center of the sink.

Paper Towel Dispensers

The dispenser is designed to accept single or multi-fold as well as roll towels. The recommended towels are the *Georgia Pacific #23504 - single fold* or the *Baywest Ecosoft #46200 - roll towel*. **NOTE: When using other towels, be sure the width does not exceed 9-1/2". The use of a roll towel complies with ADA requirements.**

Soap Dispensers

Open the soap dispenser by placing your hands on both sides of the dispenser and pressing up on the tabs of the lid. Locate the tab on the mounting plate at the rear of the dispenser and push in on it and slide the dispenser up and off. Fill with 30 fluid ounces of liquid soap. Refasten it to the mounting plate and snap the lid back on.



Towel Chutes/Trash Bag Holders

The towel chutes/trash bag holders have a "force-fit" common joint design. The trash bag holder will accept most types of trash bags from 10 to 55 gallons (30 gallon is the most practical). Position the trash bag in the holder and force the chute into position over the holder.

IMPORTANT DECAL

NOT FOR COOKING OR DRINKING, is required by law in certain areas of the U.S. Other geographical areas require that the materials used to manufacture the sinks comply with the U.S. Federal Food and Drug Administration (FDA) guidelines 21 CFR 175.300 (resins), 177.1520 (olefin polymers) and 178.3297 (colorants for polymers). The materials also comply with the U.S. Public Health Service Drinking Water Standards, 42 CFR part 72 and U.S. Environmental Protection Agency Interim Primary Drinking Water Regulations 40 CFR part 141.

Part Replacement Information

~~TOOLS REQUIRED~~

- Drill with 9/64" and 13/64" bits
- Rivet Gun
- Standard slotted screw driver
- Channel Locks

Spigot Replacement

To replace the spigots, open the hinged lid and from the underside of the bowl, drill out the (2) PC-000104 - Rivets. Pull out the spigot with the fitting attached and disconnect the tubing. Quick disconnect fittings are used throughout the plumbing system. To disconnect the tubing, pull the ring of the fitting toward the fitting stem while at the same time pulling out on the tubing.

Filter Replacement

Prior to removing or replacing the filters, be sure to completely drain the fresh water from the main tank. Also, it will be necessary to drain the gray water bag and pull it up out of the sink. Pull the PC-000305 - Plastic Filter off of the CT38-005 - 3/8" x 5" Tube (the filter is fitted onto the tube in the bottom of the sink).

Pump Removal

Remove the (4) PC-000142 - 1/4" Hex Head Bolts from each of the base plates. The pumps are fastened to the base plates with (4) PC-000104 - Rivets and (4) PC-000106 - Back-up Washers. To remove the pumps, drill out the rivets from the bottom of the sink and disconnect the tubing. Quick disconnect fittings are used throughout the plumbing system. To disconnect the tubing, pull the ring of the fitting toward the fitting stem while at the same time pulling out on the tubing.

Conversion from Water-Mains Hookup to Stand-alone

Optional - SK3-3250 / Bag Complete Mains Conversion

Step 1. Remove the towel chutes from the trash bag holders and release the latch locks.

Step 2. Under the sink bowl loosen the *PC-000351 - #10 Hose Clamps* and remove the hoses from the elbows.

NOTE: There are fourteen drill spots along the inside rim of the tank.

Step 3. Drill into the drill spots using a 9/64" bit. Rivet the (14) *PC-000356 - Male Snap Fasteners* into the locations using *PC-000110 - Rivets* with *PC-000111 - Washers* on the inner side of the rim.

Step 4. Unscrew the float valve and rod assembly and remove.

Step 5. Remove the tee, hoses and #10 hose clamps.

NOTE: Set aside the parts removed and reverse the steps to convert back to water mains hookup if needed.

Step 6. Locate the (2) *PC-000555 - 3/4" Plastic Hex Socket Plugs* from the parts bag and insert them into the rear drain holes (*inside the rear of the sink*).

Step 7. Also locate from the parts bag: (1) *PC-000327 - 1" Mpt x 1" Strait Barb Fitting*, (2) *PC-000352 - #12 Hose Clamps* and (1) *CH100-025 - 1" I.D. x 25" Hose*. On the inside of the sink, thread the barbed fitting to the gray water spinweld fitting (*which is the right front*). Slip a hose clamp on both ends of the hose. Push one end of the hose onto the barbed fitting and tighten the clamp. Push the other end of the hose onto the bottom of the vinyl liner and tighten that clamp.

Step 8. Align the seams of the vinyl liner in-between the two rear snaps (*located in the center rear of the sink*). Snap the vinyl inner liner in place.

Filling with Fresh Water (with Stand-alone Bag/SK3-3250)

To open the hinged top you must first remove the towel chutes from the trash bag holders on both sides and release the latch locks. Insert a standard 1" garden or similar type hose into the 1-1/4" round fill port under the lid. Fill the sink with a few gallons of fresh water to perform a system check. Depress both foot pumps a few times to "prime" them (*the pumps have built-in check valves that will hold a prime between uses*). The sink is equipped with "weep" holes located at the top of the recessed handles in the sides (*fresh water will "weep" from these holes once the tank has reached capacity*).

Emptying Gray Water (with Stand-alone Bag/SK3-3250)

NOTE: Certain geographical areas prohibit "dumping" of gray water and requires proper disposal. Gray water can be pumped out by lifting the hinged top. A drain port is also located at the bottom right center of the sink.

Winterizing

- Drain all water from the tanks.
- Depress the foot pump to clear lines.
- Flush tank with a solution of chlorine and water.

CLEANING AND MAINTENANCE

Use a mild soap to clean all surfaces and component parts.

Minor scratches and abrasions can be lightly sanded or scrubbed with a mild abrasive cleaner (*such as "Soft Scrub"*) that contains calcium carbonate, hypochlorate bleach and detergents. Be sure to follow the cleaning product directions since these ingredients may cause hazardous gases when mixed with other chemicals. Rinse the cleaned area and buff with a conventional wax.

Some light scratches may also be hidden by using an industrial hot air gun.

To keep the water fresh add a "Fresh Sink Tablet" (*chlorinated tablet*) each time the sink is filled with water.

For a source of cleaning, deodorizing and paper products contact:

RID IT
2500 GASPAR AVE.
WHITING, IN 46394-2175
800-292-1305 EXTENSION 514
www.rid-it.com

We highly recommend membership in the Portable Sanitation Association International (PSAI); the worldwide authority on portable sanitation services. The PSAI, "Portable Sanitation Industry Certification Program" manual contains a wealth of information on standards and service procedures. For more information contact the PSAI:

PORTABLE SANITATION ASSOCIATION INTERNATIONAL (PSAI)
7800 METRO PARKWAY, SUITE 104
BLOOMINGTON, MINNESOTA 55425 USA
800-822-3020 / 612-854-8300 FAX 612-854-7560
www.psaai.org

MISSION STATEMENT

"PolyJohn is a family owned, state of the art, plastics manufacturing company dedicated to providing its employees with a work environment committed to excellence, and its customers with innovative products, services and technology that meet or exceed their requirements."

THANK YOU FOR PURCHASING POLYJOHN PRODUCTS!

Look for us on the Web @ www.PolyJohn.com