

Project \_\_\_\_\_  
 Item \_\_\_\_\_  
 Quantity \_\_\_\_\_  
 CSI Section 11400  
 Approved \_\_\_\_\_  
 Date \_\_\_\_\_

MDH-302 • MDH-402 Beverage Dispensers

with icepic® Integrated Ice Crusher

## MDH-302 • MDH-402 Beverage Dispensers with icepic® Integrated Ice Crusher



Industry's first built-in ice crusher provides two types of ice from a single ice maker/ice dispenser combination.

Increased beverage cooling efficiency vs. nugget-style ice.

Saves:  
 25% on equipment acquisitions,  
 30% on equipment installation, and  
 45% on maintenance.

### Standard Features

- MDH-302 or 402 provides two ice dispense points with maximum flavor selection in one ice and beverage dispenser.
- Servend's patented Flex manifold makes carbonated or non-carbonated flavor changes possible in minutes. Great for seasonal promotions!
- 300 or 400 lbs. (136 or 181 kgs.) of ice storage.
- Three merchandisers available - 12" (30.48 cm), 24" (60.96 cm) and 34" (86.36 cm) tall - to create a beverage focal point.
- Patented rocking chute ice dispense technology reduces ice spillage.

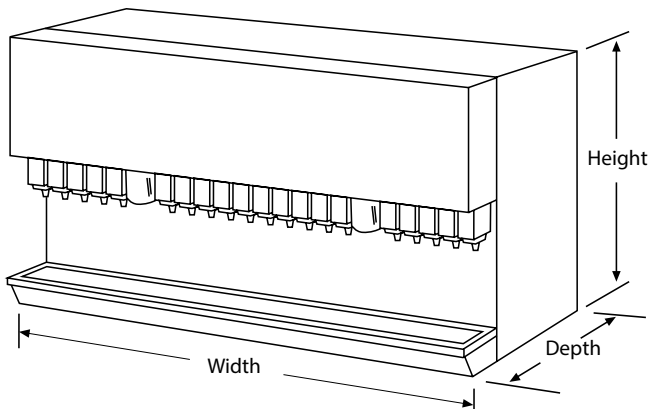


Servend's Flexible Beverage Manifold



## Specifications

	MDH-302	MDH-402	MDH-402 Dual Selectable
Standard Features	Left side ice crusher, key switch, drain kits, 12" tall lighted merchandiser, timed agitation, Flomatic 464 beverage valves		
Ice Crusher	Left side ice crusher		Dual selectable ice crusher
Shipping Weights	448 lbs. / 203 kgs.		543 lbs. / 246 kgs.
Countertop Weight (w/o ice)	397 lbs. / 180 kgs.		481 lbs. / 218 kgs.
Ice Storage Capacity	Up to 300 lbs. / 136 kgs.		Up to 400 lbs. / 182 kgs.
Electrical Requirements	<b>Dispenser</b> 12T: 120/60Hz/5.25FLA 24T: 120/60Hz/5.25FLA 34T: 120/60Hz/5.75FLA		
Drain	Two 3/4" (1.91 cm) PVC (N.P.T.) drain fittings extend from drain pan. Ice bin drains directly into drain pan for front clean out, no hook up necessary.		
Ice Machine Compatibility	<b>Performance optimized with Manitowoc half-dice cube size.</b> Top-mount with Manitowoc half-dice size ice cube machine or manual fill with hard cubed ice 3/8" x 1-1/8" x 7/8" or smaller. <b>Hoshizaki America, Inc., ice machines with crescent-style shape ice cubes are not compatible with MDH-302 or MDH-402 dispensers with integrated Ice Crusher.</b>		
Graphic Area Dimensions	<b>Physical trim</b> 12T: 42.625" W x 11" H / 108.3 W x 27.94 H (cm) 24T: 42.5" W x 23.813" H / 108.3 W x 60.49 H (cm) 34T: 42.5" W x 33.813" H / 108 W x 85.89 H (cm)		<b>Physical trim</b> 12T: 59.75" W x 11" H / 151.8 W x 108.3 H (cm) 24T: 59.75" W x 23.813" H / 151.8 W x 60.49 H (cm) 34T: 59.75" W x 33.813" H / 151.8 W x 85.89 H (cm)
	<b>Visual area</b> 12T: 41.745" W x 10" H / 106 W x 25.4 H (cm) 24T: 41.624" W x 22.875" H / 105.7 W x 58.1 H (cm) 34T: 41.875" W x 33.188" H / 106.4 W x 84.3 H (cm)		<b>Visual area</b> 12T: 59.125" W x 10.375" H / 150.2 W x 26.35 H (cm) 24T: 59.125" W x 23.188" H / 150.2 W x 23.188 H (cm) 34T: 59.125" W x 32.813" H / 150.2 W x 83.35 H (cm)
Manifold	2-1-1-2 Flexible left to right		16 Valve 2-1-1-1-3 Flexible left to right 20 Valve 3-1-2-1-3 Flexible left to right
Options	Other options include; water lever, carbonator, regulator and installation kits, Ice machine adaptor kits, 24" (60.96 cm) and 34" (86.36 cm) extended merchandiser, Americans with Disabilities Act (ADA) compliant selection touchpads. High Humidity Enhancements available for tropical regions.		



	MDH-302	MDH-402	MDH-402 SCI	MDH-302 HHE	MDH-402 HHE
Width	42.75"	60.00"	60.00"	45.25"	60.00"
	108.6 cm	152.4 cm	152.4 cm	114.9 cm	152.4 cm
Depth	30.50"	30.50"	30.50"	30.63"	30.63"
	77.5 cm	77.5 cm	77.5 cm	77.8 cm	77.8 cm
Height*	33.00"	32.25"	33.25"	33.13"	32.25"
	83.8 cm	81.9 cm	84.5 cm	84.1 cm	81.9 cm

\*Add 1" (2.54 cm) for full lid.

Welbilt reserves the right to make changes to the design or specifications without prior notice.