

18" STAINLESS STEEL DROP-IN ICE BIN

ITEM #: _____ QUANTITY: _____

PROJECT: _____

APPROVAL: _____

DATE: _____

REGENCY
Tables and Sinks

FEATURES

- Made of 20 gauge, 304 stainless steel
- 1" NPT drain tubing
- Stainless steel sliding lid included
- Perfect for storing ice conveniently close at hand



SPECIFICATIONS

ITEM	OVERALL (LEFT TO RIGHT)	OVERALL (FRONT TO BACK)	OVERALL (HEIGHT)	ICE BIN (LEFT TO RIGHT)	ICE BIN (FRONT TO BACK)	ICE BIN DEPTH	ICE BIN CAPACITY
600DIIB1824	24"	18"	11 ¹⁵ / ₁₆ "	20 ⁷ / ₈ "	13 ¹ / ₂ "	10 ⁷ / ₈ "	50 lb.
600DIIB1830	30"	18"	11 ¹⁵ / ₁₆ "	26 ⁷ / ₈ "	13 ¹ / ₂ "	10 ⁷ / ₈ "	62 lb.
600DIIB1836	36"	18"	11 ¹⁵ / ₁₆ "	32 ⁷ / ₈ "	13 ¹ / ₂ "	10 ⁷ / ₈ "	75 lb.

09/2019

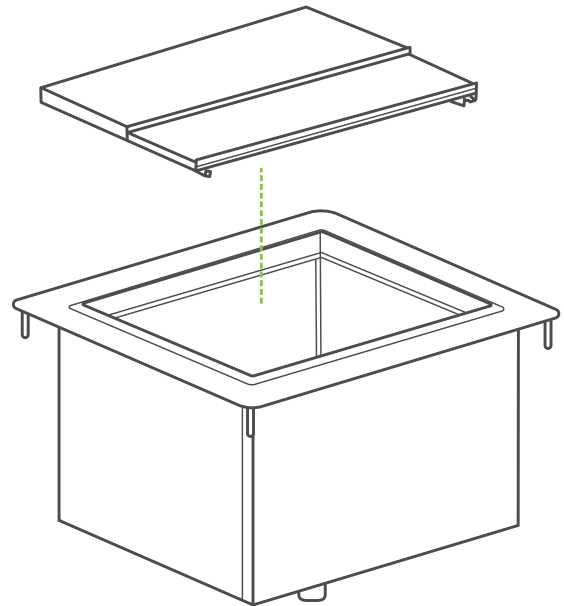
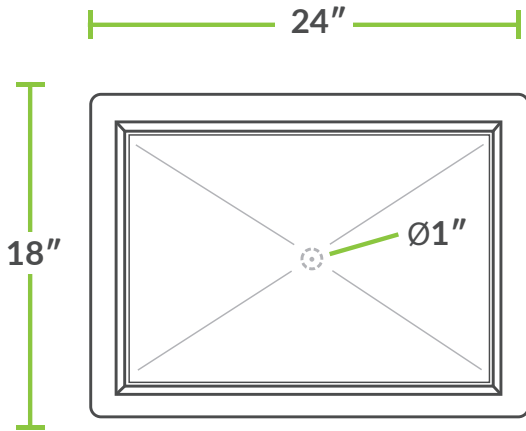
REGENCYTABLESANDSINKS.COM

18" STAINLESS STEEL DROP-IN ICE BIN

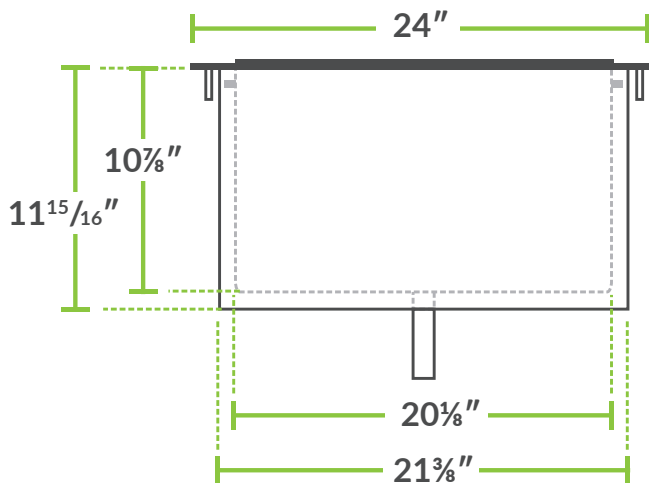


600DIIBI824

TOP



FRONT



SIDE

