

16-GAUGE STAINLESS STEEL DIRTY DISH TABLE WITH PRE-RINSE BOWL

ITEM #: _____ QUANTITY: _____

PROJECT: _____

APPROVAL: _____

DATE: _____



FEATURES

- 16-gauge 304-series stainless steel construction
- 10³/₄" high backsplash and a 2" return for drainage
- Durable bullet feet
- Lip attaches to dishwasher (sold separately)
- Ideal for restaurant and hotel dishwashing stations
- Offered in both left and right orientation



SPECIFICATIONS



16-GAUGE 304-SERIES STAINLESS STEEL CONSTRUCTION • OFFERED IN BOTH LEFT & RIGHT ORIENTATION

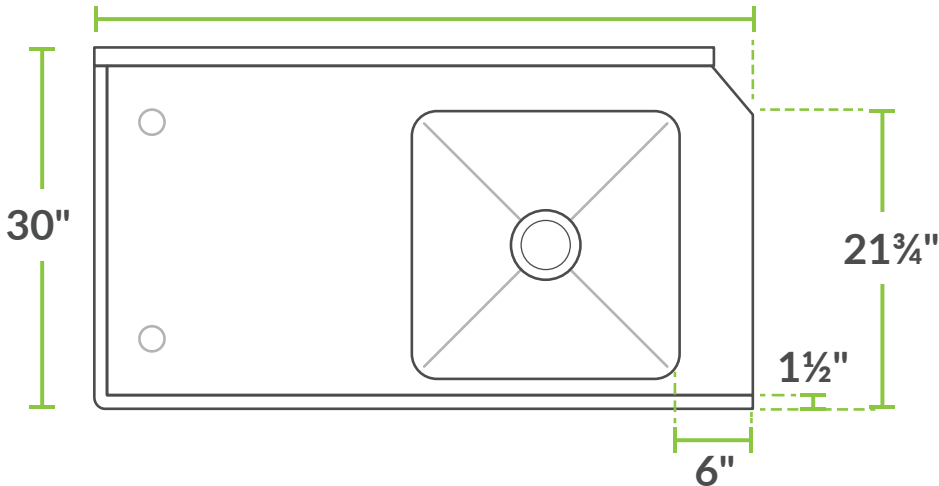
ITEM	LENGTH	WIDTH	WORK HEIGHT	BACKSPLASH HEIGHT	OVERALL HEIGHT	BOWL DEPTH	WEIGHT
600DDT36	36"	30"	34 ³ / ₄ "	10 ³ / ₄ "	44 ³ / ₄ "	6"	48 LB.
600DDT48	48"	30"	34 ³ / ₄ "	10 ³ / ₄ "	44 ³ / ₄ "	6"	59 LB.
600DDT60	60"	30"	34 ³ / ₄ "	10 ³ / ₄ "	44 ³ / ₄ "	6"	68 LB.
600DDT72	72"	30"	34 ³ / ₄ "	10 ³ / ₄ "	44 ³ / ₄ "	6"	76 LB.
600DDT84	84"	30"	34 ³ / ₄ "	10 ³ / ₄ "	44 ³ / ₄ "	6"	92 LB.
600DDT96	96"	30"	34 ³ / ₄ "	10 ³ / ₄ "	44 ³ / ₄ "	6"	99 LB.

16-GAUGE STAINLESS STEEL
DIRTY DISH TABLE
WITH PRE-RINSE BOWL

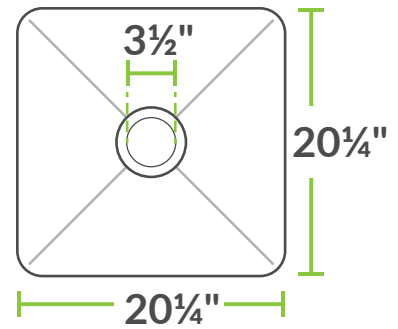


TOP

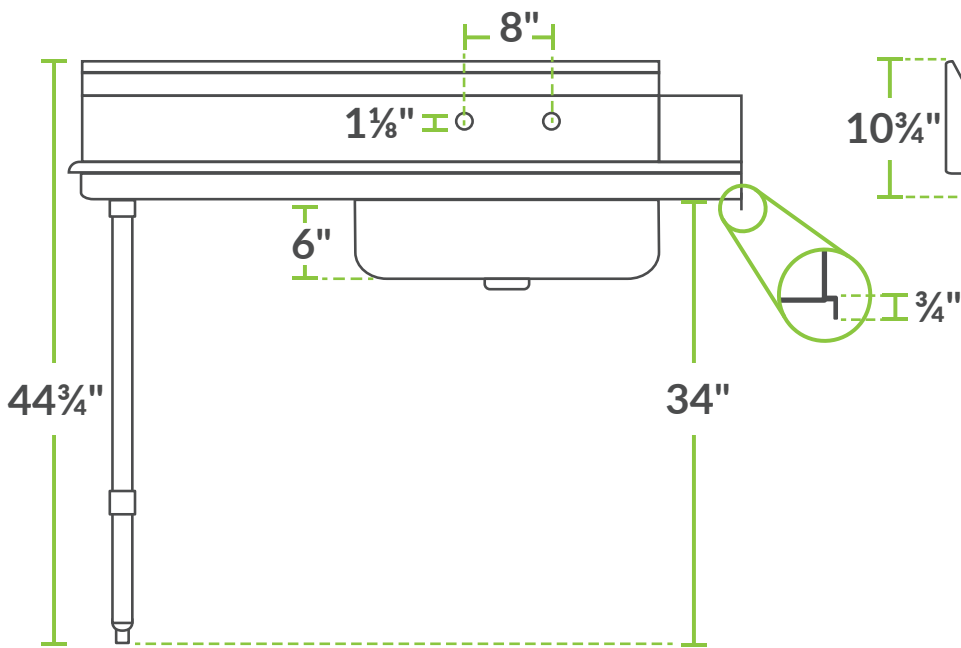
LENGTH



BOWL



FRONT



SIDE

