

P-TRAPS & CONTINUOUS WASTES

3 Compartment Continuous Waste



K-351

Chrome Plated P-Trap

STANDARD

22 Gauge - 1-1/2" IPS

7-PS-14

HEAVY DUTY

17 Gauge - 1-1/2" IPS

7-PS-10



Offset Tail Piece



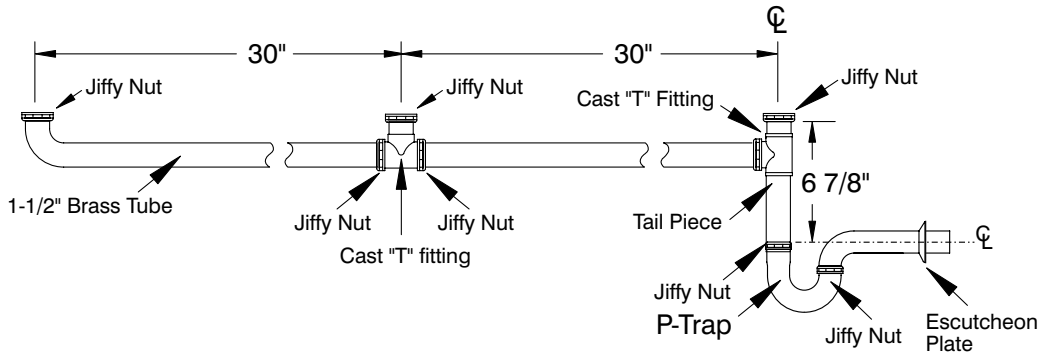
K-46

DIMENSIONS and SPECIFICATIONS

TOL \pm .125"

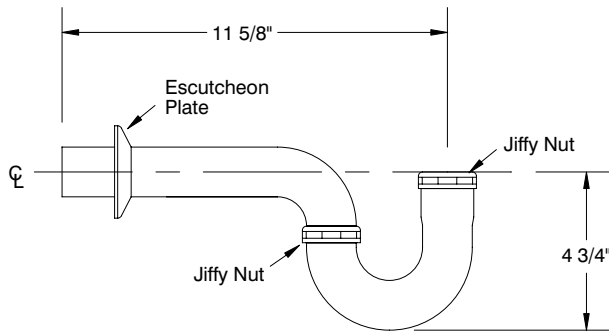
ALL DIMENSIONS ARE TYPICAL

3 Compartment Continuous Waste



K-351

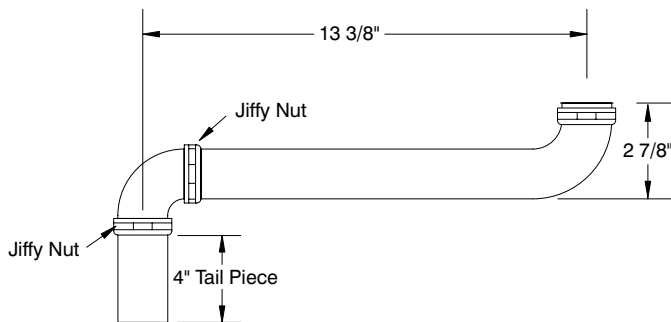
Chrome Plated P-Trap



STANDARD
22 Gauge - 1-1/2" IPS
7-PS-14

HEAVY DUTY
17 Gauge - 1-1/2" IPS
7-PS-10

Offset Tail Piece



K-46

