



Outperform every day.™

**Project:**

**Item Number:**

**Quantity:**

Standard Progressive Style Breath Guards

The Vollrath Company, L.L.C.

## STANDARD PROGRESSIVE STYLE BREATH GUARDS

### DESCRIPTION

Progressive breath guards are both light weight for easy installation and strong for long-term use. These breath guards can be used with Signature Server® and over drop-ins.

### FEATURES

- End frames constructed of 3/8" (1 cm) water-jet cut aluminum with extruded aluminum glass frames
- 1/4" (6.4 mm) tempered glass is secured in a tight-fitting channel, creating a continuous, clean line from framework to glass
- Color choices include standard Gray Hammer Semi-gloss or nine stylish powder-coated color

### WARRANTY

All models shown come with Vollrath's standard warranty against defects in materials and workmanship. For full warranty details, please refer to [www.Vollrath.com](http://www.Vollrath.com).



Double-Sided Buffet



Single-Sided Buffet with Top Shelf



Single-Sided Buffet



Cafeteria with Top Shelf

### BUILD A MODEL NUMBER

| Step 1*<br>Select Base Item               |   |  | Step 2<br>Select Color |                       | Optional Step 3<br>Select Accessories        |            |
|---|---|--|------------------------|-----------------------|--|------------|
| Length                                    | For Use With Signature Server® With Stainless Steel Countertops | For Use Over Drop-ins and Signature Server® With Non-Stainless Steel Countertops | Suffix                 | Color                 | Not available for Single-Sided Buffet style. |            |
|   |   |  |                        |                       | Suffix                                       | Length     |
| <b>Double-Sided Buffet</b>                |   |  |                        |                       | <b>Fluorescent Lights</b>                    |            |
| 2-Well/Pan                                | 98400   | GB98400  | 99                     | Std. Gray Hammer      | 25   | 2-Well/Pan |
| 3-Well/Pan                                | 98401   | GB98401  | 00                     | Polished Chrome       | 26   | 3-Well/Pan |
| 4-Well/Pan                                | 98402   | GB98402  |                        |                       | 27   | 4-Well/Pan |
| 5-Well/Pan                                | 98403   | GB98403  | 10                     | Brass                 | 28   | 5-Well/Pan |
| 6-Well/Pan                                | 98404   | GB98404  |                        |                       | 29   | 6-Well/Pan |
| <b>Single-Sided Buffet with Top Shelf</b> |   |  |                        |                       |  |            |
| 2-Well/Pan                                | 98405   | GB98405  | 20                     | Blk Hammer Semi-Gloss | 15   | 2-Well/Pan |
| 3-Well/Pan                                | 98406   | GB98406  | 30                     | Black 80% Gloss       | 31   | 3-Well/Pan |
| 4-Well/Pan                                | 98407   | GB98407  |                        |                       | 32   | 4-Well/Pan |
| 5-Well/Pan                                | 98408   | GB98408  | 40                     | White Hammer          | 33   | 5-Well/Pan |
| 6-Well/Pan                                | 98409   | GB98409  |                        |                       | 34   | 6-Well/Pan |
| <b>Single-Sided Buffet</b>                |   |  |                        |                       | <b>Cayenne® Heat Strips</b>                  |            |
| 2-Well/Pan                                | 98410   | GB98410  | 50                     | Copper Vein           | 35   | 2-Well/Pan |
| 3-Well/Pan                                | 98411   | GB98411  | 60                     | Silver Vein           | 36   | 3-Well/Pan |
| 4-Well/Pan                                | 98412   | GB98412  |                        |                       | 37   | 4-Well/Pan |
| 5-Well/Pan                                | 98413   | GB98413  | 70                     | Black/White           | 38   | 5-Well/Pan |
| 6-Well/Pan                                | 98414   | GB98414  |                        |                       | 39   | 6-Well/Pan |
| <b>Cafeteria with Top Shelf</b>           |   |  |                        |                       | <b>Cayenne® Heat Strips w/ Lights</b>        |            |
| 2-Well/Pan                                | 98415   | GB98415  | 80                     | Silver Hammertone     | 12   | 2-Well/Pan |
| 3-Well/Pan                                | 98416   | GB98416  |                        |                       | 41   | 3-Well/Pan |
| 4-Well/Pan                                | 98417   | GB98417  |                        |                       | 42   | 4-Well/Pan |
| 5-Well/Pan                                | 98418   | GB98418  |                        |                       | 43   | 5-Well/Pan |
| 6-Well/Pan                                | 98419   | GB98419  |                        |                       | 44   | 6-Well/Pan |

\* When ordering breath guards for Signature Server® bases with stainless steel countertops, 14 gauge countertops must be specified, will be supplied by Vollrath and added to the cost of the base. Please see the Vollrath Food Service List Prices book.

Due to continued product improvement, please consult [www.vollrath.com](http://www.vollrath.com) for current product specifications.

Agency Listings



| Approvals | Date |
|-----------|------|
|           |      |



Outperform every day.™  
[www.vollrath.com](http://www.vollrath.com)

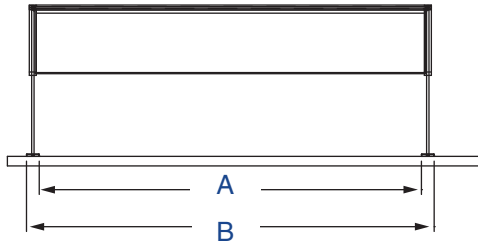
The Vollrath Company, L.L.C.  
1236 North 18th Street  
Sheboygan, WI 53081-3201 U.S.A.  
Customer Service: 800.628.0830  
Canada Customer Service: 800.695.8560  
Main Fax: 800.752.5620 or 920.459.6573

Technical Services: 800.628.0832  
Technical Services Fax: 920.459.5462

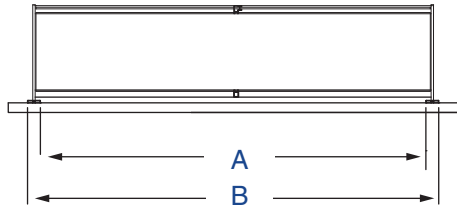
# STANDARD PROGRESSIVE STYLE BREATH GUARDS

## DIMENSIONS (Shown in inches (cm))

### Front View



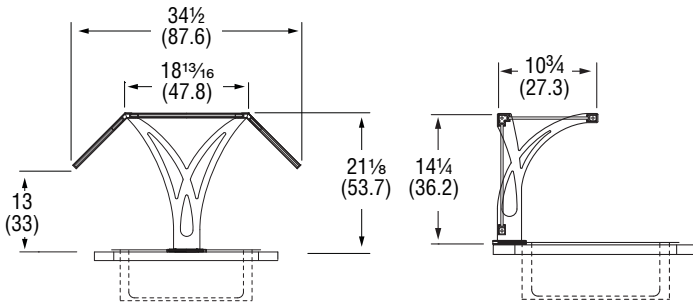
*Double-Sided Buffet, Single-Sided Buffet with Top Shelf and Single-Sided Buffet*



*Single-Sided Cafeteria with Top Shelf*

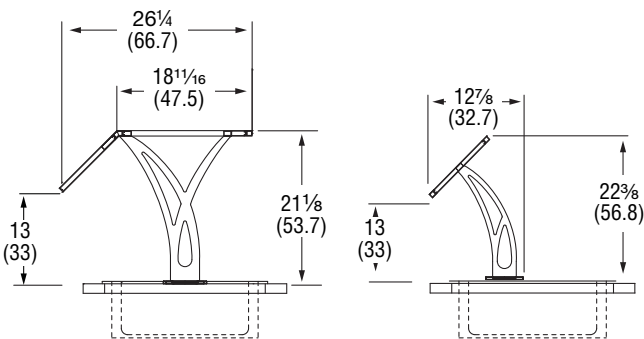
| Style  | (A)<br>Inside of Flange<br>to Inside of<br>Flange | (B)<br>Outside of Flange<br>to Outside of<br>Flange |
|--|---|---|
| <b>For Use With Signature Server® With Stainless Steel Countertops</b>                 |   |   |
| Two-Well/Pan   | 26 (66)   | 30 (76.2)   |
| Three-Well/Pan   | 41 (104.1)  | 45 (114.3)  |
| Four-Well/Pan  | 55 (139.7)  | 59 (149.9)  |
| Five-Well/Pan  | 69 (175.2)  | 73 (185.4)  |
| Six-Well/Pan   | 83 (210.9)  | 87 (221)  |
| <b>For Use Over Drop-ins or Signature Server® With Non-Stainless Steel Countertops</b> |   |   |
| Two-Well/Pan   | 30½ (77.5)  | 34½ (87.6)  |
| Three-Well/Pan   | 43 (109.2)  | 47 (119.4)  |
| Four-Well/Pan  | 56¼ (142.9)                                       | 60¼ (153)   |
| Five-Well/Pan  | 69½ (176.5)                                       | 73½ (186.7)   |
| Six-Well/Pan   | 82¾ (210.2)                                       | 86¾ (220.3)   |

### Side View



*Double-Sided Buffet*

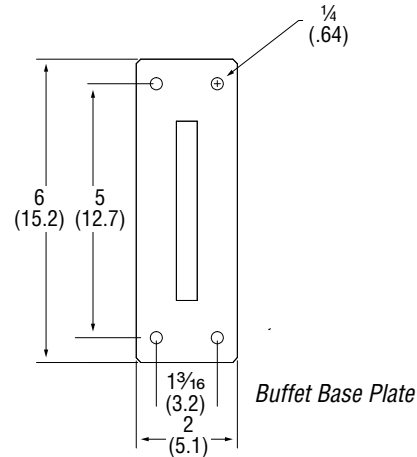
*Cafeteria with Top Shelf*



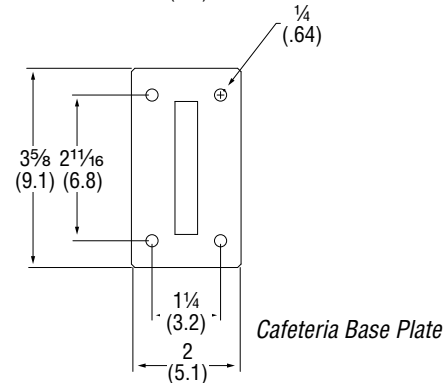
*Single-Sided Buffet with Top Shelf*

*Single-Sided Buffet*

### Base Plate



*Buffet Base Plate*



*Cafeteria Base Plate*



Outperform every day.™

[www.vollrath.com](http://www.vollrath.com)

The Vollrath Company, L.L.C.  
 1236 North 18th Street  
 Sheboygan, WI 53081-3201 U.S.A.  
 Customer Service: 800.628.0830  
 Canada Customer Service: 800.695.8560  
 Main Fax: 800.752.5620 or 920.459.6573

Technical Services: 800.628.0832  
 Technical Services Fax: 920.459.5462