



PRESTIGE Signature Series

Ice Bins NSF 20" and 25" Wide Units



Shown With
Optional
Speed Rail



FEATURES:

- 11" or 15" deep ice bin.
- Two removable injection molded 3-pack plastic bottle racks.
- 1 3/4" return w/ soda gun knock-out.
- 7" Backsplash
- Stainless steel top, apron and sides.
- Heavy gauge stainless steel legs and adjustable stainless steel bullet feet with twist-action leg assembly.
- Optional 10-circuit cold plate sealed into bottom of ice bin.

PRI-24 Series has rear deck for extra storage.

**Bottle Racks Must Be Removed For NSF Compliance
And For Use With Optional Cover.**

Item #: _____ Qty #: _____
 Model #: _____
 Project #: _____

MECHANICAL:

- 1" IPS drain - non cold plate bin
- 1/2" IPS drain - cold plate bin

MATERIAL:

- 20 gauge, 300 stainless steel
- Legs:** 1 5/8" O.D. 14 gauge, stainless steel with adjustable plastic bullet feet

Cold Plate: Cast aluminum with 10 circuits (8 syrup and 2 water lines) with 5/16" diameter stainless steel bump and swedge ends.

Ice Bin Insulation: 2 lbs. density foam-in-place

OPTIONAL:

- PRA-SSC-12** - Sliding cover for 12" ice bin
- PRA-SSC-24** - Sliding cover for 24" ice bin
- PRA-SSC-30** - Sliding cover for 30" ice bin
- PRA-SSC-36** - Sliding cover for 36" ice bin
- PRA-SSC-42** - Sliding cover for 42" ice bin
- PRA-SSC-48** - Sliding cover for 48" ice bin



Optional Sliding
Stainless Steel
Cover Shown

For More Accessories & Modifications, Visit Us At www.advancetabco.com.

20" WIDE Model #	Approx. Weight	Approx. Cu. Ft.	25" WIDE Model #	Approx. Weight	Approx. Cu. Ft.	Overall Length (A)	Distance To Drain (B)	Ice Bin Depth	Ice Bin Capacity
PRI-19-12	40 lbs.	9	PRI-24-12	45 lbs.	11	12"	6"	11" DEEP	32 lbs.
PRI-19-24	65 lbs.	9	PRI-24-24	70 lbs.	11	24"	12"		70 lbs.
PRI-19-30	70 lbs.	14	PRI-24-30	75 lbs.	15	30"	15"		89 lbs.
PRI-19-36	75 lbs.	14	PRI-24-36	80 lbs.	15	36"	18"		108 lbs.
PRI-19-42	80 lbs.	19	PRI-24-42	85 lbs.	20	42"	21"		127 lbs.
PRI-19-48	85 lbs.	19	PRI-24-48	90 lbs.	20	48"	24"		146 lbs.
PRI-19-24-XD	80 lbs.	17	PRI-24-24-XD	85 lbs.	20	24"	12"	15" DEEP	80 lbs.
PRI-19-30-XD	85 lbs.	23	PRI-24-30-XD	90 lbs.	27	30"	15"		121 lbs.
PRI-19-36-XD	90 lbs.	23	PRI-24-36-XD	95 lbs.	37	36"	18"		147 lbs.

With 10-Circuit Cold Plate

PRI-19-24-10	135 lbs.	15	PRI-24-24-10	140 lbs.	18	24"	12"	11" DEEP	70 lbs.
PRI-19-30-10	140 lbs.	21	PRI-24-30-10	145 lbs.	24	30"	15"		89 lbs.
PRI-19-36-10	145 lbs.	21	PRI-24-36-10	150 lbs.	24	36"	18"		108 lbs.
PRI-19-42-10	150 lbs.	26	PRI-24-42-10	155 lbs.	31	42"	21"		127 lbs.
PRI-19-48-10	155 lbs.	26	PRI-24-48-10	160 lbs.	31	48"	24"		146 lbs.
PRI-19-24-10-XD	160 lbs.	17	PRI-24-24-10-XD	165 lbs.	20	24"	12"		15" DEEP
PRI-19-30-10-XD	165 lbs.	23	PRI-24-30-10-XD	170 lbs.	27	30"	15"	121 lbs.	
PRI-19-36-10-XD	170 lbs.	23	PRI-24-36-10-XD	175 lbs.	27	36"	18"	147 lbs.	



Customer Service Available To Assist You 1-800-645-3166 8:30 am - 8:00 pm E.S.T.

For Orders & Customer Service:
 Email: customer@advancetabco.com or Fax: 631-242-6900

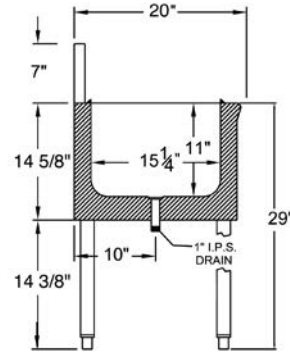
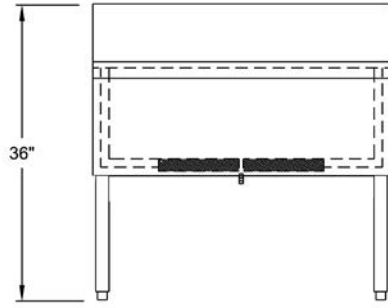
For Smart Fabrication™ Quotes:
 Email: smartfab@advancetabco.com or Fax: 631-586-2933

DIMENSIONS and SPECIFICATIONS

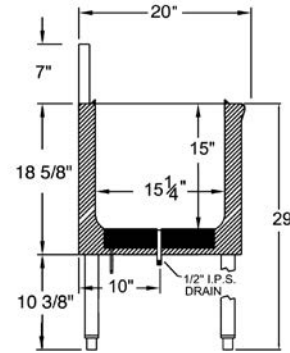
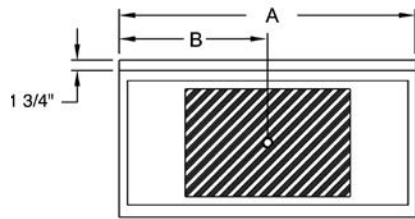
TOL Overall: $\pm .500"$ Interior: $\pm .250"$

ALL DIMENSIONS ARE TYPICAL

PRI-20 Series

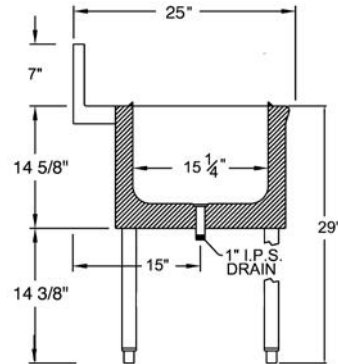
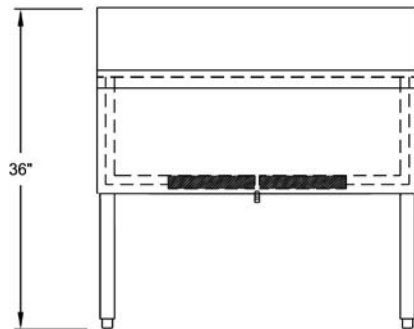


Non-Cold Plate

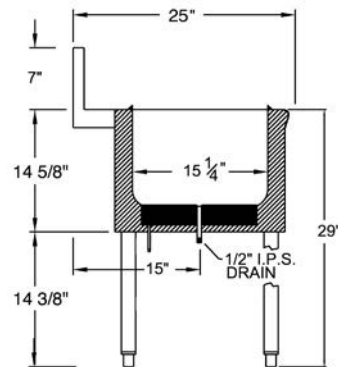
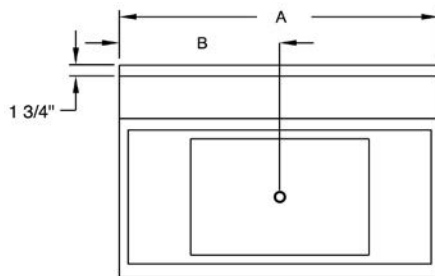


w/ 10-Circuit Cold Plate

PRI-25 Series



Non-Cold Plate



w/ 10-Circuit Cold Plate

