

STAINLESS STEEL PLATE SHELVES FOR EQUIPMENT STANDS

ITEM #: _____ QUANTITY: _____

PROJECT: _____

APPROVAL: _____

DATE: _____



FEATURES

- Provides extra storage for plates, utensils, and other items
- Includes backsplash to prevent spills and messes
- Easy to install with built-in mounts

SPECIFICATIONS

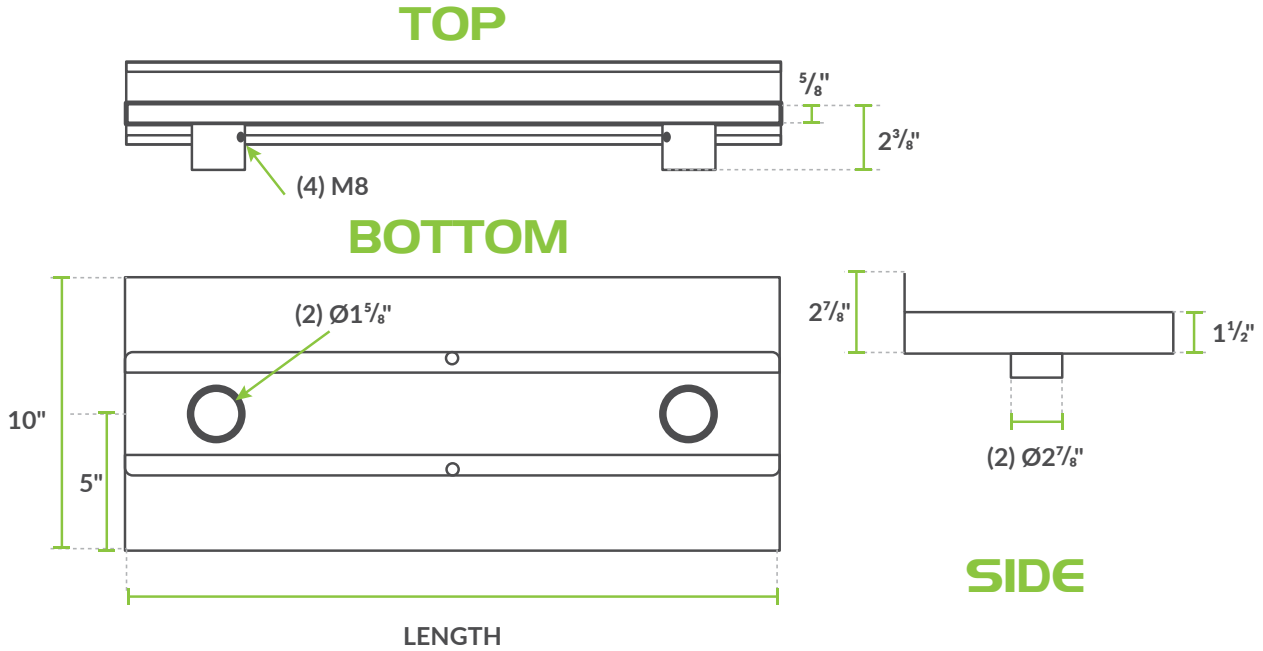


ITEM	LENGTH	WIDTH	SUPPORT MOUNTS
600ESCBPS24	24"	10"	2
600ESCBPS30	30"	10"	2
600ESCBPS36	36"	10"	2
600ESCBPS48	48"	10"	2
600ESCBPS60	60"	10"	2
600ESCBPS72	72"	10"	3
600ESCBPS96	96"	10"	3

STAINLESS STEEL PLATE SHELVES FOR EQUIPMENT STANDS

REGENCY
Tables and Sinks

24" - 60" SHELVES



72" - 96" SHELVES

