



Project \_\_\_\_\_  
 Item \_\_\_\_\_  
 Quantity \_\_\_\_\_  
 CSI Section 11400  
 Approval \_\_\_\_\_  
 Date \_\_\_\_\_

NOBLE 44

## NOBLE 44



### Standard Features

- 25" standard clearance accommodates larger wares, such as sheet pans, mixing bowls, etc.
- Exclusive EnergyGuard™ controls
- Fully automatic, including auto-fill
- Electromechanical controls
- Adjust-A-Peak™ adjustable conveyor speed allows machine to extend wash time and rinse contact for heavy soil conditions
- Strikeplate Table Limit Switch
- Self-draining stainless steel wash pump
- Front dress panel
- Stainless steel scrap baskets
- Splash shields
- Externally operated drain lever
- Adjustable bullet feet
- Stainless steel frame and legs
- Exhaust vent fan control
- 18kW wash tank heater

### Mandatory Specs

Specify Voltage \_\_\_\_\_

Specify Sanitizing Method:

- High Temperature  
 Chemical Sanitizing

Specify Direction of Operation:

- Left to Right  
 Right to Left

### Options & Accessories

- |  |  |
|--|--|
| <input type="checkbox"/> Booster Heater                    | <input type="checkbox"/> 36-Compartment Rack       |
| <input type="checkbox"/> 40 °F (22.2 °C) Rise - 17kW       | <input type="checkbox"/> 4 1/8" tall (105 mm)      |
| <input type="checkbox"/> 70 °F (38.9 °C) Rise - 30kW       | <input type="checkbox"/> 5 5/8" tall (143 mm)      |
| <input type="checkbox"/> 23" (584 mm) Unhooded Side Loader | <input type="checkbox"/> 7" tall (178 mm)          |
| <input type="checkbox"/> 23" (584 mm) Hooded Side Loader   | <input type="checkbox"/> Combination Rack          |
| <input type="checkbox"/> 30" (762 mm) Unhooded Side Loader | <input type="checkbox"/> Peg Rack                  |
| <input type="checkbox"/> 30" (762 mm) Hooded Side Loader   | <input type="checkbox"/> Sheet Pan Rack            |
| <input type="checkbox"/> Flanged Feet                      | <input type="checkbox"/> Drain Water Tempering Kit |
| <input type="checkbox"/> Blower Dryer                      | <input type="checkbox"/> Scaltrol                  |
| <input type="checkbox"/> Vent Cowl Collars (set of 2)      | <input type="checkbox"/> Water Hammer Arrestor     |
|  | <input type="checkbox"/> Pressure Regulator        |

### Specifications

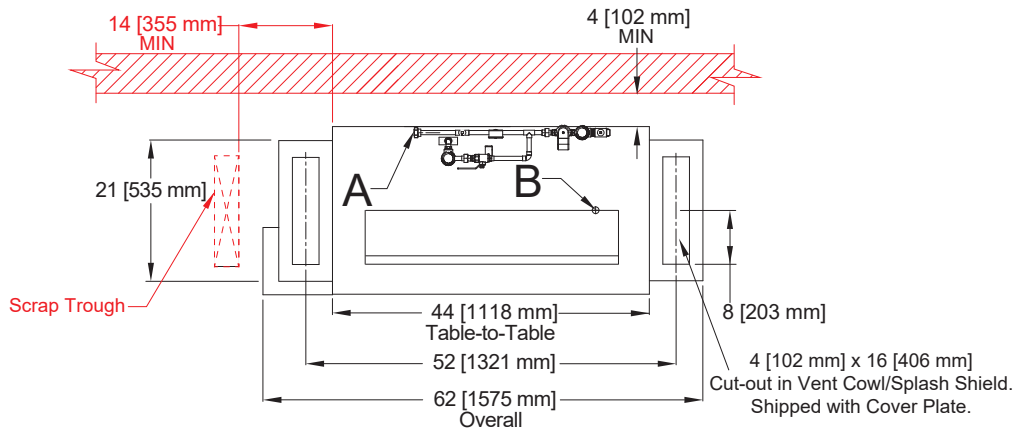
- |  |   |
|--|---|
| <ul style="list-style-type: none"> <li>• High-temperature model uses 0.68 gallons (2.57 liters) per rack. Chemical-sanitizing model uses 0.78 gallons (2.95 liters) per rack</li> <li>• High-temperature model cleans 225 racks per hour. Chemical-sanitizing model cleans 209 racks per hour</li> <li>• 8" (203 mm) splash shields on both wash and rinse ends</li> </ul> | <ul style="list-style-type: none"> <li>• 25" (635 mm) chamber height clearance accommodates larger wares</li> <li>• 18" (457 mm) wash section with an 18" (457 mm) separation between wash and rinse</li> <li>• Durable stainless steel construction</li> </ul> |
|--|---|



# NOBLE 44

Left to Right

Top

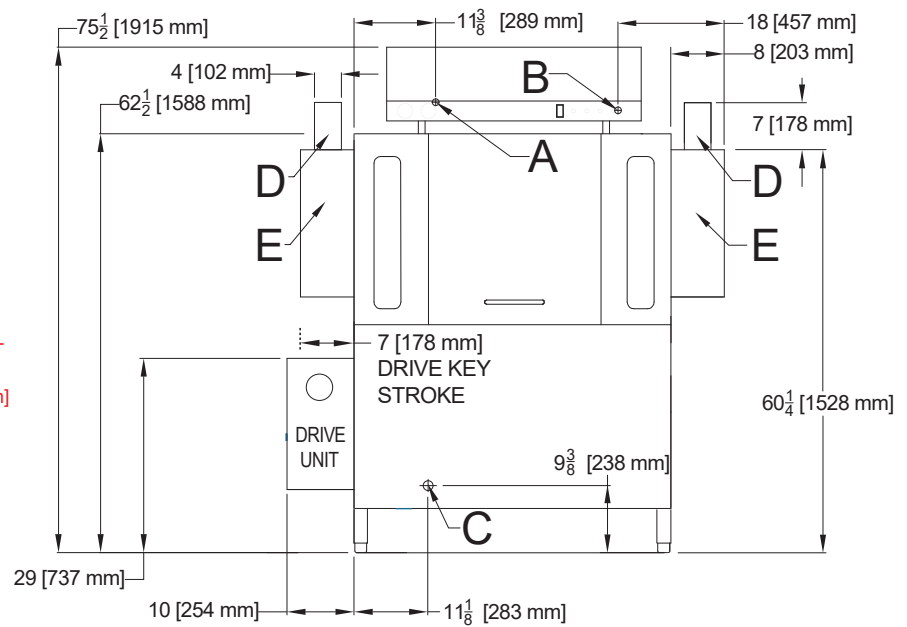


Front

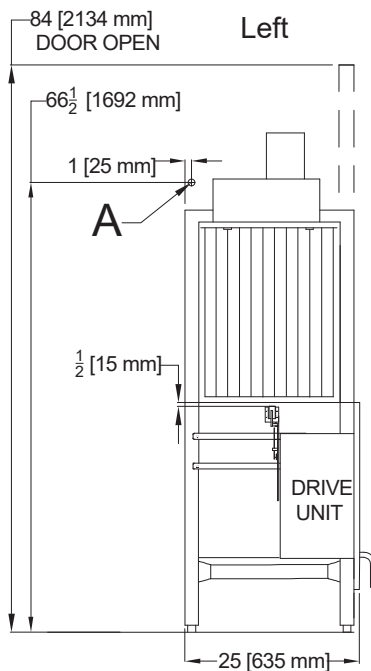
Machine Drain Line 1 1/2 [38 mm] MIN, Must NOT Be Reduced. Pitch 1/4 [6 mm] per ft.

1 1/2 [38 mm] MIN Air-gap

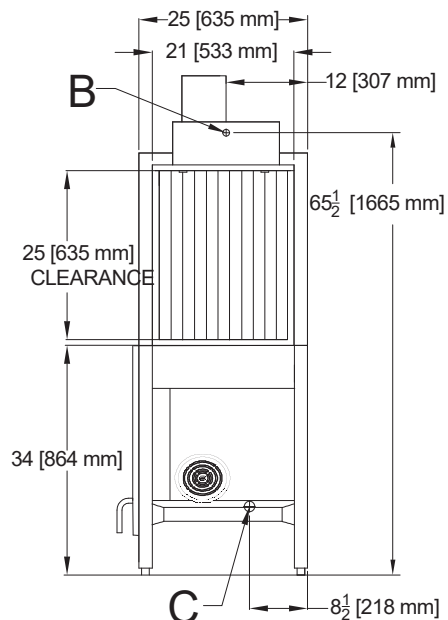
Must Install Machine Drain Line above 3 [76 mm] MIN Floor Drain or Sink



Left



Right



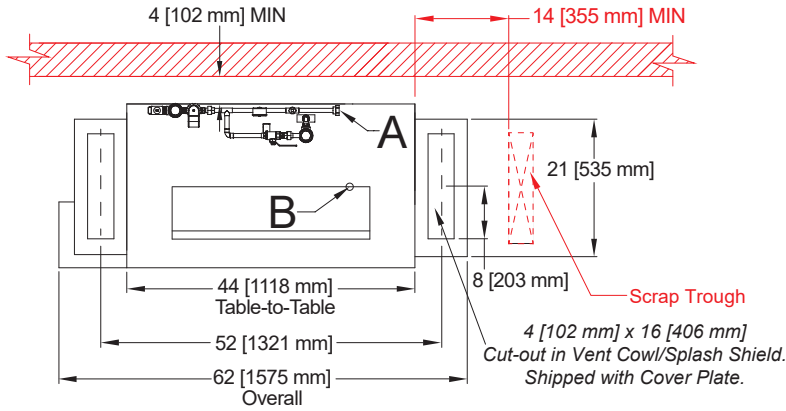
## LEGEND

- A - Main Water Inlet (3/4" NPT, 180 °F MIN)
- B - Electrical Connection
- C - Drain Connection (1 1/2" NPT)
- D - Vent Collar - Optional
- E - Vent Cowl - Standard

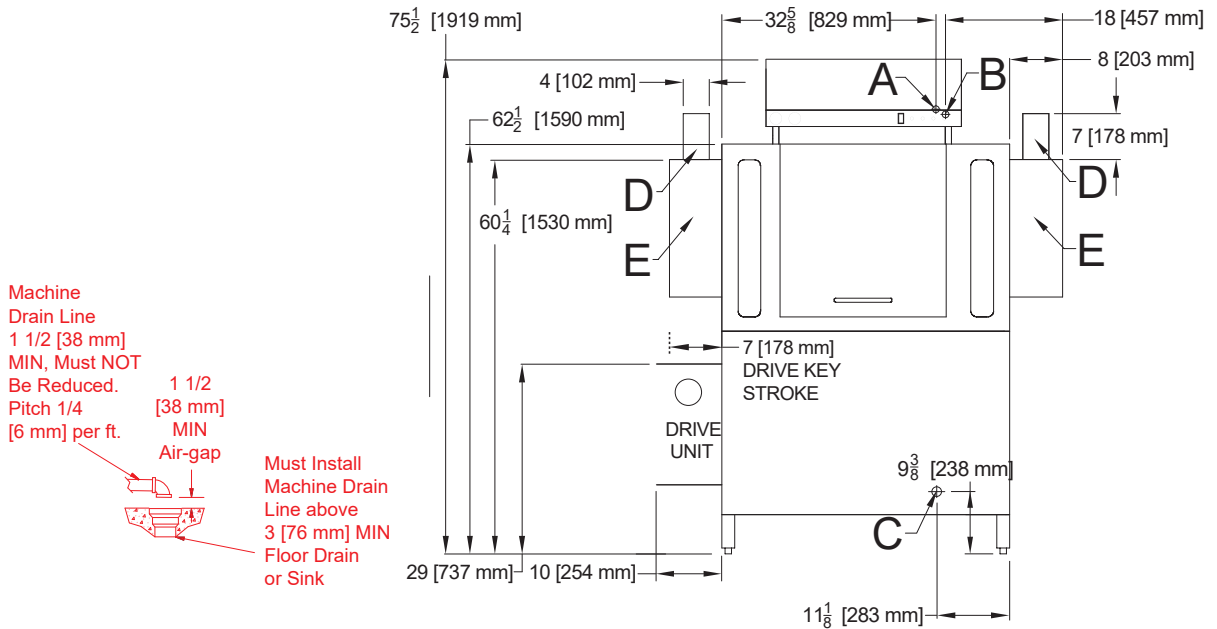
All dimensions from the floor can be increased 1" using the machine's adjustable feet.

Items in red are not supplied with the machine.

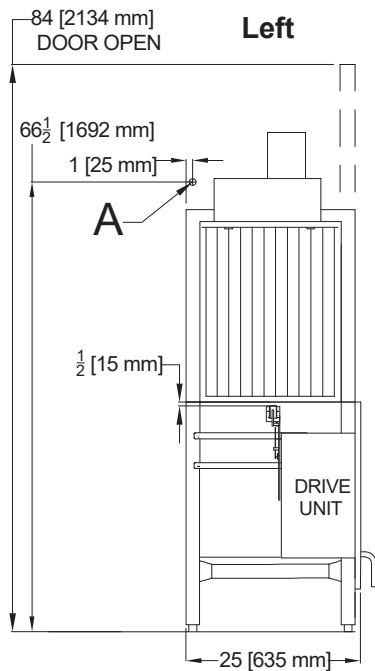
## Top



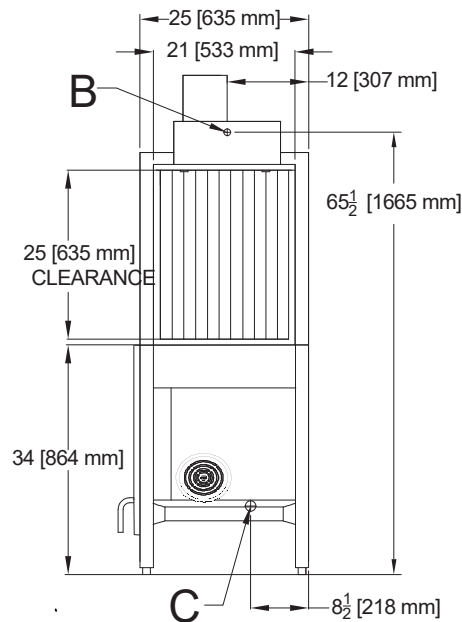
## Front



## Left



## Right



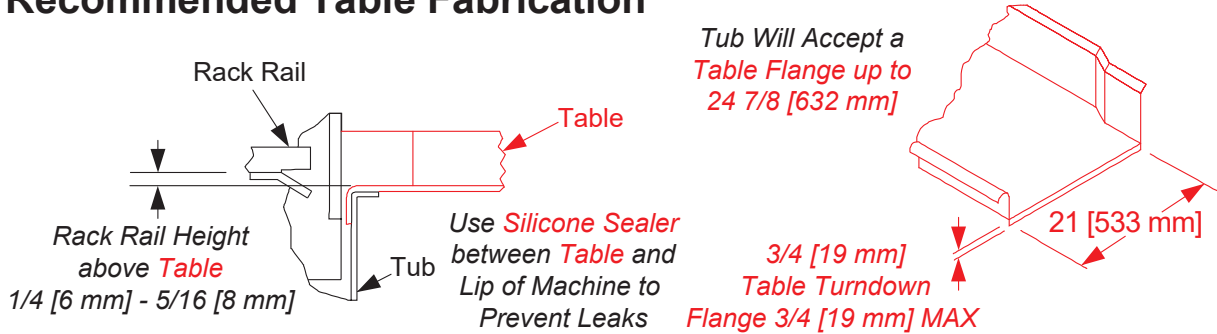
### LEGEND

- A - Main Water Inlet (3/4" NPT, 180 °F MIN)
- B - Electrical Connection
- C - Drain Connection (1 1/2" NPT)
- D - Vent Collar - Optional
- E - Vent Cowl - Standard

All dimensions from the floor can be increased 1" using the machine's adjustable feet.

Items in red are not supplied with the machine.

## Recommended Table Fabrication



MODEL NO.	MACHINE DIMENSIONS					DRAIN HEIGHT	SHIPPING INFORMATION					
	HEIGHT	HEIGHT WITH DOOR OPEN	LENGTH BETWEEN DISHTABLES	DEPTH	WEIGHT		CLASS	CUBE	HEIGHT	WIDTH	DEPTH	
NOBLE 44	75-1/2" (1919 mm)	84" (2134 mm)	44" (1118 mm)	25" (635 mm)	7-1/2" (191 mm)	651 lbs (296 kg)	200	144.26 cu. ft.	82" (2083 mm)	76" (1931 mm)	40" (1016 mm)	

DIMENSION REQUIREMENTS	
Wall Clearance (minimum)	4-1/2" (114 mm)
Standard Table Height	34" (864 mm)
Inside Clearance	25" (635 mm)

OPERATING CAPACITY		
	High-Temperature	Chemical Sanitizing
Racks per Hour	225	209

OPERATING TEMPERATURES		
	High-Temperature	Chemical Sanitizing
Wash (minimum)	160 °F (71 °C)	140 °F (60 °C)
Rinse (minimum)	180 °F (82 °C)	140 °F (60 °C)

WATER REQUIREMENTS	
Inlet Temperature (minimum)	
With 40 °F (22.2 °C) Rise Booster Heater	140 °F (60 °C)
With 70 °F (38.9 °C) Rise Booster Heater	110 °F (43 °C)
Gallons per Hour - High-Temperature	153 gal (579 L)
Gallons per Hour - Chemical Sanitizing	163 gal (617 L)
Gallons per Rack - High-Temperature	0.68 gal (2.6 L)
Gallons per Rack - Chemical Sanitizing	0.78 gal (3.0 L)
Waterline Size IPS (minimum)	1/2"
Drainline Size IPS (minimum)	1-1/2"
Flow Pressure (PSI)	15
Flow Rate (minimum) - High -Temperature	2.6 GPM (9.8 LPM)
Flow Rate (minimum) - Chemical Sanitizing	2.7 GPM (10.2 LPM)
Wash Tank Capacity	21 gal (79.5 L)

ELECTRICAL REQUIREMENTS				
Model	Power Supply	Total Load	Minimum Circuit Ampacity	Maximum Overcurrent Protection
NOBLE 44	208/60/3	57.0 A	58.4 A	60 A
	230/60/3	48.3 A	49.7 A	55 A
	460/60/3	24.1 A	24.9 A	30 A
	600/60/3	19.8 A	20.4 A	25 A
	208/60/1	97.0 A	99.2 A	105 A
	230/60/1	83.3 A	85.7 A	95 A

BOOSTER HEATER OPTIONS				
	40 °F (22.2 °C) Minimum Rise		70 °F (38.9 °C) Minimum Rise	
	kW	AMPS	kW	AMPS
208V/60HZ/3PH	17.2	47.8	30	83.4
230V/60HZ/3PH	18	45.2	30	75.4
460V/60HZ/3PH	18	22.6	30	37.7

WASH PUMP	
Wash Pump Motor	2 hp
Wash Pump Capacity	270 GPM (1022 LPM)

CONVEYOR	
Conveyor Motor	1/4 hp
Conveyor Speed (feet per minute highest speed)	
High-Temperature	6.2 FPM (1.9 MPM)
Chemical Sanitizing	5.75 FPM (1.75 MPM)

VENTING REQUIREMENTS			
	Input End	Output End	Total CFM
	200 CFM	400 CFM	600 CFM

HOW TO SPECIFY: NOBLE 44