



PRICE COMPUTING SCALES

PC HS SERIES

Also available with Turret



Model:

PC40L-HS / PC80L-HS
PC40LT-HS / PC80LT-HS

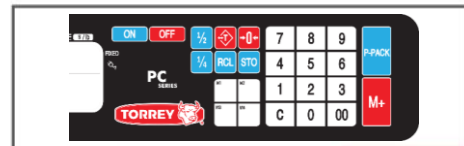
Product features

- ✓ Available in 40 lb and 80 lb capacity
- ✓ Stainless Steel case and plate
- ✓ Large LCD display with backlight
- ✓ Cash register functions
- ✓ 100 hours duration rechargeable battery
- ✓ Easy-touch technology
- ✓ Easy-to-clean
- ✓ PC communication capabilities
- ✓ Great for butcher shops, delis, and markets
- ✓ Adjustable leveling feet

Product highlights



Robust stainless steel construction



New easy-touch keyboard



Adjustable display
(Only model with turret)

Certifications



Warranty

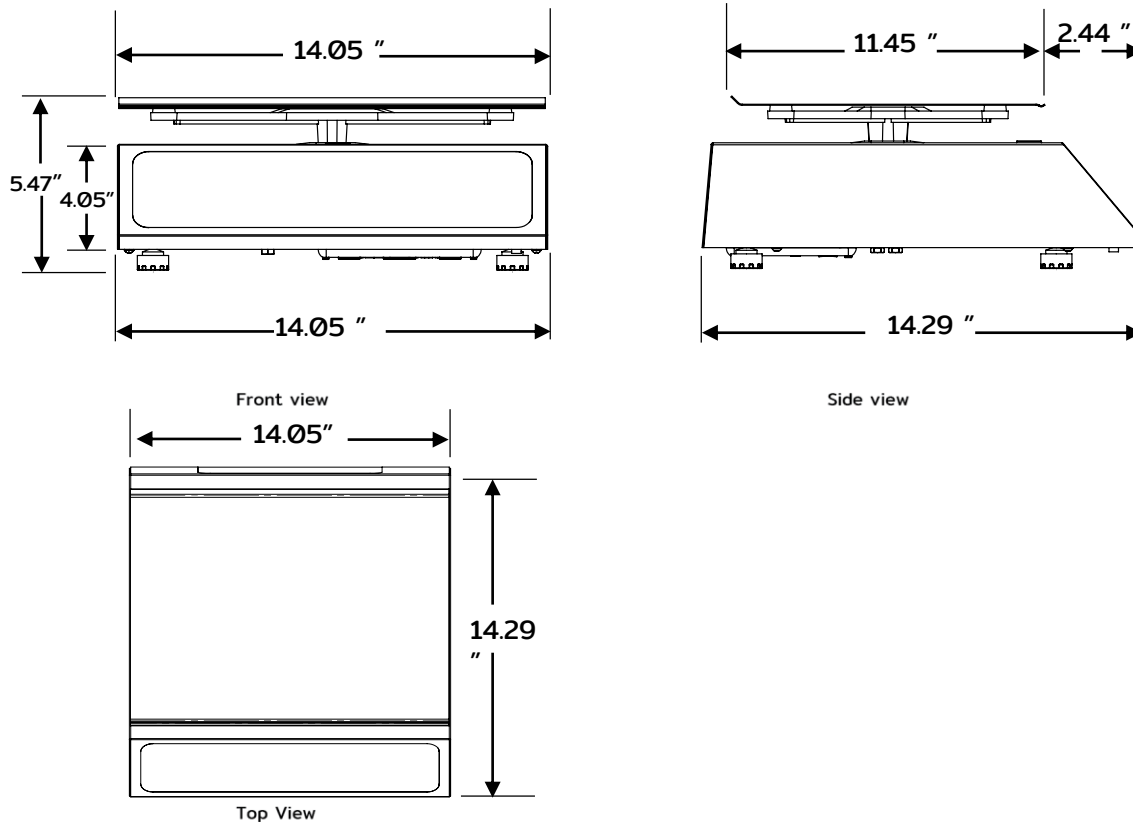




PRICE COMPUTING SCALES

PC HS SERIES

Dimensions



Technical specifications

Dimensions PC 40/80 L-HS

External dimensions	W: 14.29 " D:14.05 " H: 5.47 "
Packging dimensions	W: 17.32 " D:18.50 " H: 6.88 "
Net weight	17 lb
Total weight (packing included)	19.62 lb
Plate dimensions	W: 11.45 " D: 14.05" H: 1.00 "

Construction

Cabinet material	Stainless steel
Plate material	Stainless steel
Plate holder	High strength reinforced aluminium
Leveling feet	4 adjustable foot

Logistic data

Units per pallet	44
Weight per pallet	903.89 lb
Dim. Per pallet	44.88" x 51.96" x 78.740"
Storage temperature	-4°F to 122°F (-20°C to 50°C)

Electrical data

Power supply	110/220VAC - 6VDC 500mA
Plug type	NEMA-1-15P
Cord of length	47.24" 1.2 m
Battery	4VDC 2.5A/h
Lighting	LED

Performance data

Capacity PC40L-HS	40 lb
Minimal division PC40L-HS	0.01 lb
Maximum tare PC40L-HS	40 lb
Capacity PC80L-HS	80 lb
Minimal division PC80L -HS	0.02 lb
Maximum tare PC80L -HS	80 lb

Additional data

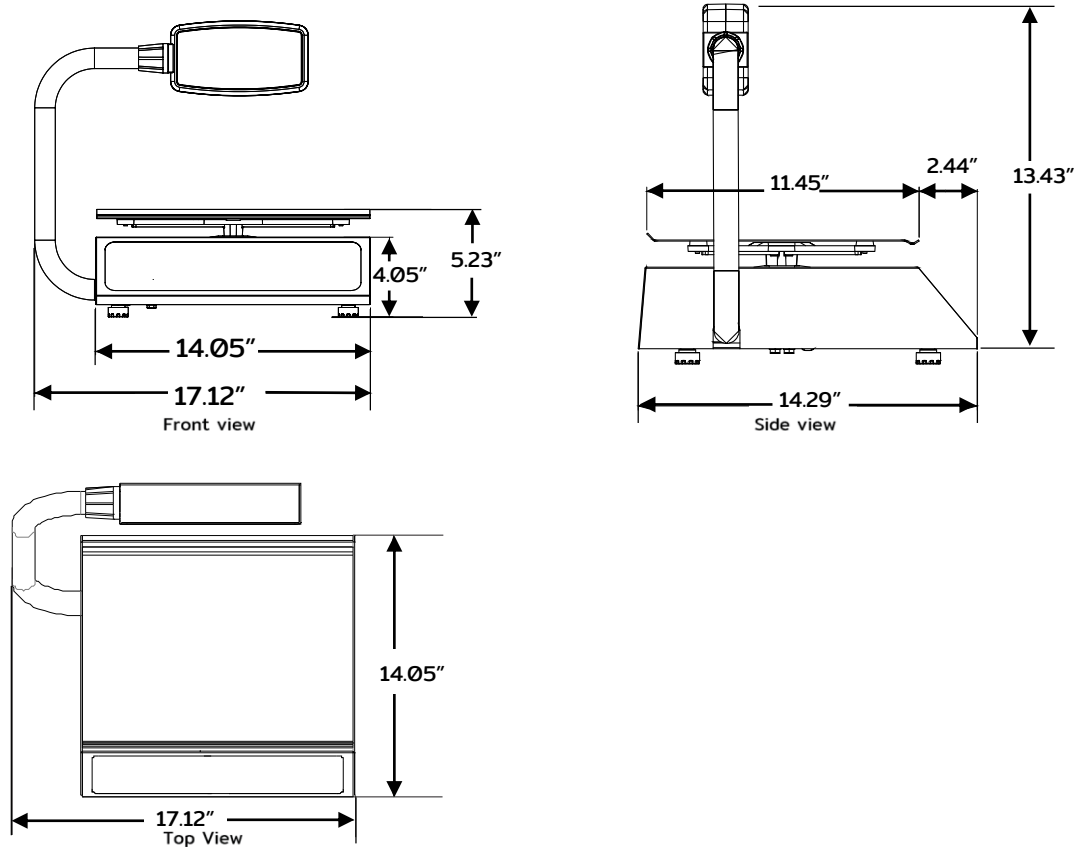
Communication	RS232
Maximum price	\$999.99
Maximum total	\$9999.99
Memory	100 PLU
Operation temperature	14°F to 104°F (-10°C to 40°C)
Storage temperature	-4°F to 122°F (-20°C to 50°C)



PRICE COMPUTING SCALES

PC HS SERIES

Dimensions



Technical specifications

Dimensions PC 40/80 LT-HS

External dimensions	W: 14.29 " D:17.12 " H: 13.43 "
Packging dimensions	W: 19.68 " D:23.62 " H: 8.66 "
Net weight	18.18 lb
Total weight (packing included)	19.8 lb
Plate dimensions	W: 11.45 " D: 14.05" H: 1.00 "

Construction

Cabinet material	Stainless steel
Plate material	Stainless steel
Plate holder	High strength reinforced aluminium
Leveling feet	4 adjustable foot

Logistic data

Units per pallet	40
Weight per pallet	831.16 lb
Dim. Per pallet	44.88" x 51.96" x 78.740"
Storage temperature	-4°F to 122°F (-20°C to 50°C)

Electrical data

Power supply	110/220VAC - 6VDC 500mA
Plug type	NEMA-1-15P
Cord of length	47.24" 1.2 m
Battery	4VDC 2.5A/h
Lighting	LED

Performance data

Capacity PC40LT-HS	40 lb
Minimal division PC40LT-HS	0.01 lb
Maximum tare PC40LT-HS	40 lb
Capacity PC80LT-HS	80 lb
Minimal division PC80LT-HS	0.02 lb
Maximum tare PC80LT-HS	80 lb

Additional data

Communication	RS232
Maximum price	\$999.99
Maximum total	\$9999.99
Memory	100 PLU
Operation temperature	14°F to 104°F (-10°C to 40°C)
Storage temperature	-4°F to 122°F (-20°C to 50°C)