



Outperform every day.™

Project:

Item Number:

Quantity:

Mobile Breath Guards

The Vollrath Company, L.L.C.

MOBILE BREATH GUARDS



Mobile Breath Guards

MODELS

- MB98719 24" Wide
- MB98720 36" Wide
- MB98721 48" Wide
- MB98722 60" Wide

FEATURES

- Adjustable height (14 to 25" (36.2 to 64.1 cm)) and angle to accommodate most chafers, warmers and serving pieces
- Rugged stainless steel base
- Curved acrylic breath guard
- Shipped knocked-down
- Easy assembly

DESCRIPTION

Vollrath Mobile Breath Guards are available in four industry standard lengths to fit most serving stations. Breath guard height and angle can be adjusted to work with most chafers, warmers and serving pieces.

WARRANTY: All models shown come with Vollrath's standard warranty against defects in materials and workmanship. For full warranty details, please refer to the Vollrath Equipment and Smallwares Catalog.

Approvals

Date

Due to continued product improvement, please consult www.vollrath.com for current product specifications.



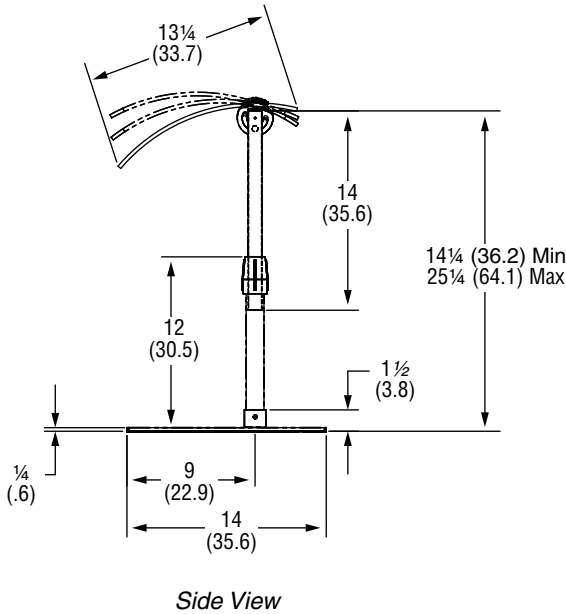
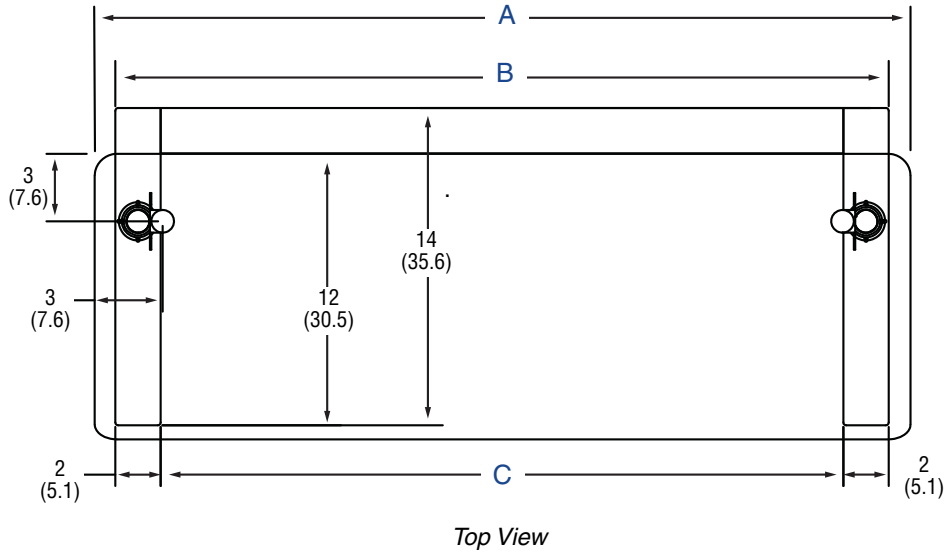
Outperform every day.™
www.vollrath.com

The Vollrath Company, L.L.C.
1236 North 18th Street
Sheboygan, WI 53081-3201 U.S.A.
Customer Service: 800.628.0830
Canada Customer Service: 800.695.8560
Main Fax: 800.752.5620 or 920.459.6573

Technical Services: 800.628.0832
Technical Services Fax: 920.459.5462

MOBILE BREATH GUARDS

DIMENSIONS (inches (cm))



SPECIFICATIONS

Item	Dimensions			Shipping Weight LB (KG)
	(A) Overall Width	(B)	(C)	
MB98719	24 (61)	22 1/8 (56.2)	18 1/8 (46)	15.1 (6.8)
MB98720	36 (91.4)	34 1/8 (86.7)	30 1/8 (76.5)	18 (8.2)
MB98721	48 (121.9)	46 1/8 (117.2)	42 1/8 (107)	25 (11.3)
MB98722	60 (152.4)	58 1/8 (147.6)	54 1/8 (137.5)	28 (12.7)



Outperform every day.™

www.vollrath.com

The Vollrath Company, L.L.C.
 1236 North 18th Street
 Sheboygan, WI 53081-3201 U.S.A.
 Customer Service: 800.628.0830
 Canada Customer Service: 800.695.8560
 Main Fax: 800.752.5620 or 920.459.6573

Technical Services: 800.628.0832
 Technical Services Fax: 920.459.5462