



BEVERAGE-AIR

Project: _____

AIA#

Item: _____

Location: _____

SIS#

Approved: _____

MMF MARKETMAX FREEZER

**MODELS:
MMF44HC-1-B**

MMF44HC Black Coated with Hinged Double Glass Door

Hydrocarbon Series

MMF44HC Hinged Glass Door Freezer: Merchandiser Series



MMF44HC-1-B

**3 Year Parts/Labor Warranty
Additional 2 Year Compressor Warranty**

CABINET CONSTRUCTION

- Exterior finish is heavy duty steel with a black baked on durable coating
- Heavy duty interior construction includes white coated steel walls
- Modern one-piece grille
- Full electronic control
- Smart defrost
- Freezer has triple pane lowE argon filled glass doors
- 120° stay open door feature, with automatic stay open feature
- Snap-in gaskets, easy to remove for cleaning or replacement
- LED lighting, standard
- Five (5) heavy duty epoxy coated wire shelves per section
- Four (4) shelf clips include dper shelf
- Anti-microbial door handles
- Brightly lighted sign panel
- Self-contained bottom mount refrigeration system
- Maintains product temperatures of 0° F and below

OPTIONS & ACCESSORIES

- White or stainless steel exterior option
- Black or stainless steel interior option
- Shelves black or white
- Stainless steel clips
- Flow track
- Gravity track
- Price tag molding
- Smart defrost
- Electronic lock models (Swing doors only)
- 6" legs
- 3" or 6" Casters
- Door locks
- Graphics
- Remote option

REFRIGERATION SYSTEM

- Refrigeration system uses R290 refrigerant to comply with all environmental concerns
- Automatic, electric defrost
- Epoxy coated evaporator coil



3779 Champion Blvd., Winston-Salem, NC 27105
1-888-845-9800 Fax: 1-336-245-6453
Beverage-Air.com sales@bevair.com

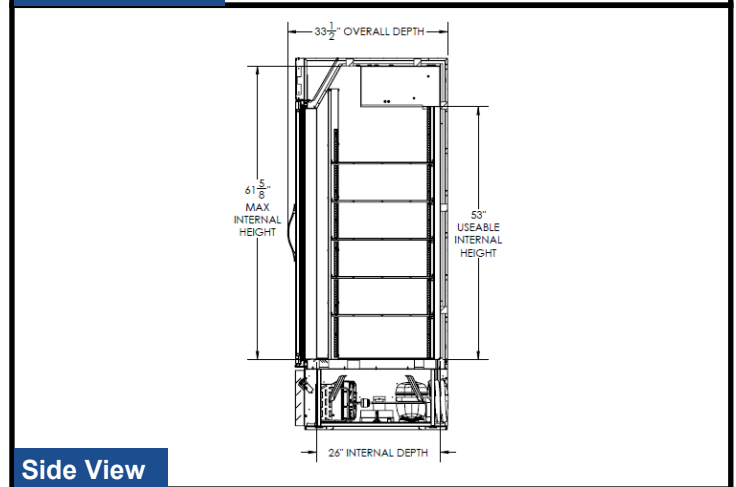
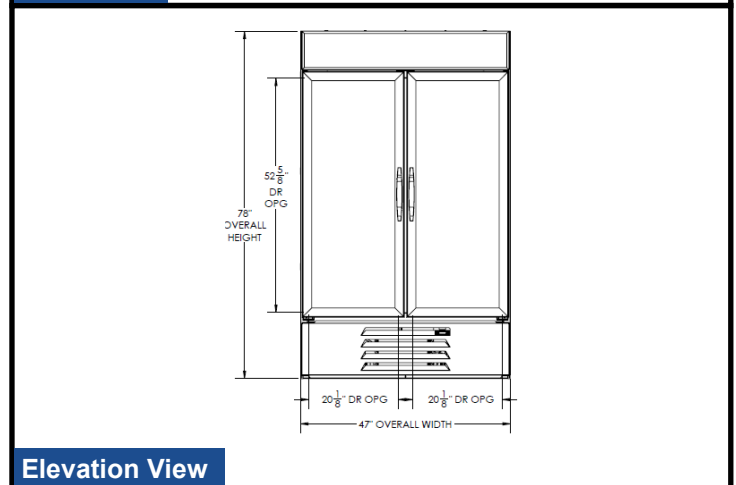
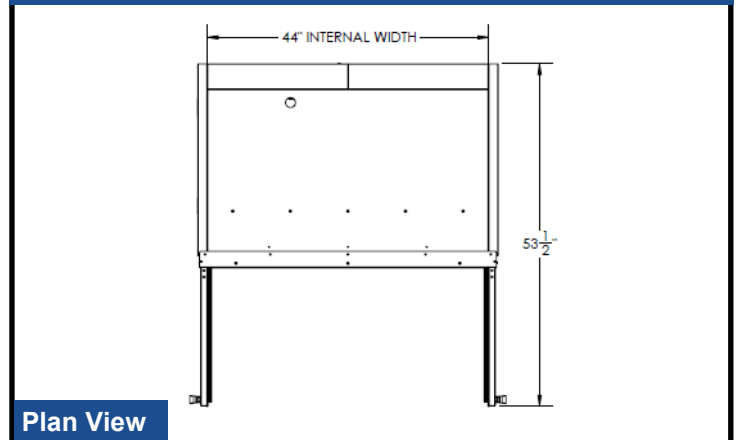


BEVERAGE-AIR

MMF Freezer Double Glass Door Models: MMF44HC-1-B

MODEL	MMF44HC-1-B
EXTERNAL DIMENSIONAL DATA	
Width Overall	47"
Depth Overall with Handle	33 1/2"
Height Overall	78"
Number of Doors	2
Depth With Door Open 90°	53 1/2"
Door Opening (in)	20 1/8" x 52 5/8"
Shelf Area (sq. in)	451 1/2"
INTERNAL DIMENSIONAL DATA	
NET Capacity (cubic ft.)	44
Internal Width Overall (in)	44"
Internal Depth Overall (in)	26"
Internal Height Overall (in)	61 5/8"
Internal Height Useable (in)	53"
Number of Shelves	10
ELECTRICAL DATA	
Full Load Amperes 115/60/1	11
REFRIGERATION DATA	
Horsepower	3/4
Capacity (BTU/Hr)*	2312
WEIGHT DATA	
Gross Weight (Crated lbs)	568 lbs
Height - Crated	85"
Width - Crated	49"
Depth - Crated	36"

Model Views



ELECTRICAL CONNECTION



115/60/1
NEMA-5-15P

Units pre-wired at factory and include 8' long cord and plug set.



an Ali Group Company



The Spirit of Excellence

3779 Champion Blvd., Winston-Salem, NC 27105
1-888-845-9800 Fax: 1-336-245-6453
Beverage-Air.com sales@bevair.com