



# BEVERAGE-AIR

Project: \_\_\_\_\_

AIA#

Item: \_\_\_\_\_

Location: \_\_\_\_\_

SIS#

Approved: \_\_\_\_\_

## MMF MARKETMAX FREEZER

MMF27HC White Hinged Single Glass Door  
Hydrocarbon Series

**MODELS:**  
**MMF27HC-1-W**



**MMF27HC-1-W**

**3 Year Parts/Labor Warranty**  
**Additional 2 Year Compressor Warranty**

### CABINET CONSTRUCTION

- Exterior finish is heavy duty steel with a white baked on durable coating
- Heavy duty interior construction includes white coated steel walls
- Modern one-piece grille
- Full electronic control
- Smart defrost
- Freezer has triple pane lowE argon filled glass door
- 120° stay open door feature, with automatic stay open feature
- Snap-in gaskets, easy to remove for cleaning or replacement
- Field reversible door
- LED lighting, standard
- Five (5) heavy duty epoxy coated wire shelves
- Four (4) shelf clips included per shelf
- Anti-microbial door handle
- Brightly lighted sign panel
- Self-contained bottom mount refrigeration system
- Maintains product temperatures of 0° F and below

### OPTIONS & ACCESSORIES

- Black or stainless steel exterior option
- Black or stainless steel interior option
- Shelves black or white
- Stainless steel clips
- Flow track
- Gravity track
- Price tag molding
- Smart defrost
- Electronic lock models (Swing doors only)
- 6" legs
- 3" or 6" Casters
- Door locks
- Graphics
- Remote option

### REFRIGERATION SYSTEM

- Refrigeration system uses R290 refrigerant to comply with all environmental concerns
- Automatic, electric defrost
- Epoxy coated evaporator coil

MMF27HC Hinged Glass Door: Merchandiser Series



3779 Champion Blvd., Winston-Salem, NC 27105  
1-888-845-9800 Fax: 1-336-245-6453  
Beverage-Air.com sales@bevair.com



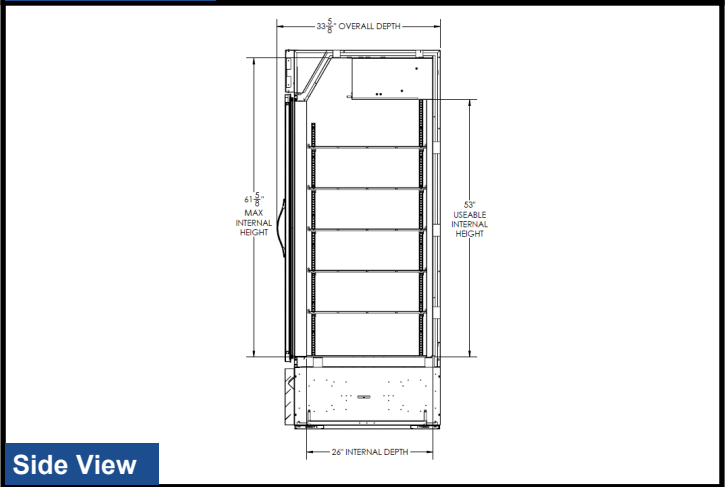
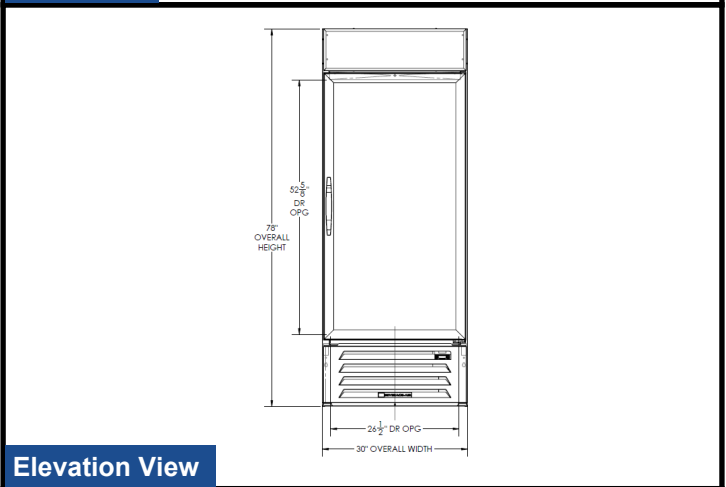
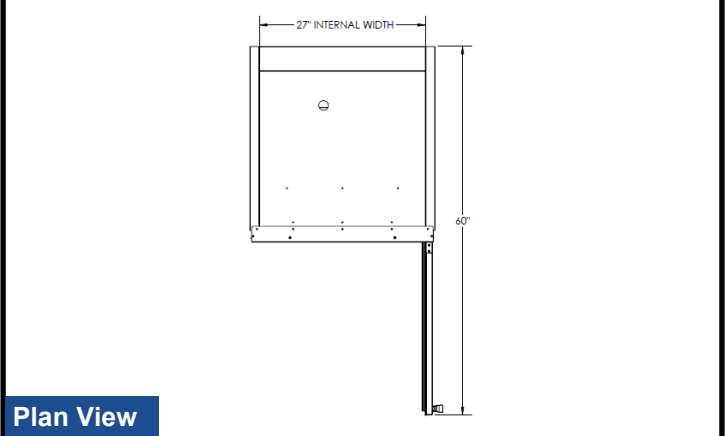
# BEVERAGE-AIR

## MMF Freezer Single Glass Door

Models: MMF27HC-1-W

MODEL	MMF27HC-1-W
<b>EXTERNAL DIMENSIONAL DATA</b>	
Width Overall	30"
Depth Overall with Handle	33 5/8"
Height Overall	78"
Number of Doors	1
Depth With Door Open 90°	60"
Door Opening (in)	26 1/2" x 52 5/8"
Shelf Area	633 5/8"
<b>INTERNAL DIMENSIONAL DATA</b>	
NET Capacity (cubic ft.)	26.57
Internal Width Overall (in)	27"
Internal Depth Overall (in)	26"
Internal Height Overall (in)	61 5/8"
Internal Height Useable (in)	53"
Number of Shelves	5
<b>ELECTRICAL DATA</b>	
Full Load Amperes 115/60/1	7.5
<b>REFRIGERATION DATA</b>	
Horsepower	3/4
Capacity (BTU/Hr)*	1927
<b>WEIGHT DATA</b>	
Gross Weight (Crated lbs)	427 lbs
Height - Crated	85"
Width - Crated	33"
Depth - Crated	36"

### Model Views



### ELECTRICAL CONNECTION



115/60/1  
NEMA-5-15P

Units pre-wired at factory and include 8' long cord and plug set.



an Ali Group Company



The Spirit of Excellence

3779 Champion Blvd., Winston-Salem, NC 27105  
1-888-845-9800 Fax: 1-336-245-6453  
Beverage-Air.com sales@bevair.com