

TECHNICAL DATA SHEET - DBJ Closure



PRODUCT DESCRIPTION: The DBJ, "J" style slit bridges tamper evident band closure is intended for use on HDPE blow molded and PET injection molded bottles with three lead neck finish bottles, using a proprietary neck finish, provided by Silgan Plastic Closure Solutions (SPCS). This closure is **NOT** recommended for carbonated products, hot-fill applications, nitrogen gas injected applications, or freezing.

The closure is typically applied with commercially available torque application equipment. The cap is intended to be unscrewed from the neck finish, breaking the tamper-evident band.

Product Identification

Product Name:	DBJ, Drop Band Plug Cap	SPCS Facility Closures Produced at:	AZ, MX, TN, IL
Silgan PCS Code:	DBJ	Carton:	Name & Address of Manufacturer, Product Dot, Color Dot, Barcode (TAB0003 -End Panel)

Material

Resin:	High Density Polyethylene (HDPE)	Colorant:	Liquid
Supplier:	I0102/CI037	Supplier:	R0069/MXR002
Characteristics:	Complies with FDA (21CFR177.1520)	Characteristics:	Complies with FDA (21CFR175 & 178)
		Standard Colors:	Samples Available

Specifications

Application Torque Pull Bottles:	10 to 15 in.-lb.	Removal Torque:	< 11 in. lbs
Application Torque Spin Trim, PET, Ram Bottles:	10 to 18 in.-lb.	Top Load:	15 -25 lbs (6.8-11.34 kg)
Temp. During Application:	55°F- 85°F (13-29°C)		

Storage

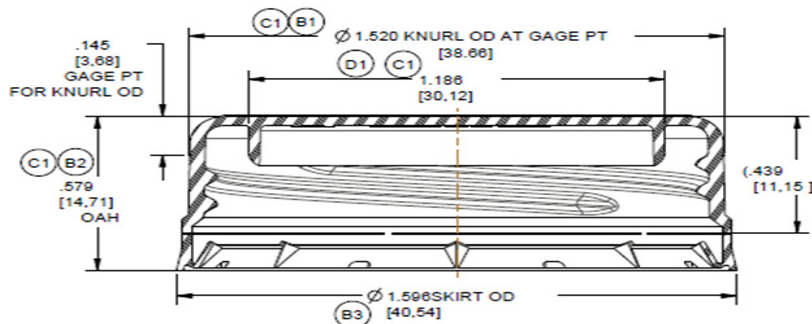
Storage Temp:	Max. 85°F (30°C) Min. 60°F (15.6°C)	Stack Height:	Max. two pallets 750 lbs (604 kg) Aprox.
Shelf Life:	270 days from delivery (FIFO recommended)	Stacking Capped Product:	Stacking pattern & bottle strength of product should be evaluated prior to use.
Storage Conditions:	Dry inside, away from contamination, insects, & odors.		

Packaging

Carton (ID):	Z44 -ECT44 - 22 $\frac{3}{8}$ X 157/16 X 11	Bag:	41 X 43 - Clear Polyethylene, FDA compliance.
Case Count:	2500 caps	Bag Closure:	Folded and taped (or customer requirements).
Case Weight:	17 lbs (8.62 kg) Aprox.	Carton Tape:	Transparent sealing tape.
Pallet Qty.	35 cases per pallet	Shrink Wrap:	20" wide, 70 gauge, or equivalent.
Pallet Configure:	7 Layers height, 5 cases per layer	Pallets:	4 way, 40" X 48" new or reconditioned.

Dimensions for Closure

Customer Drawing: C358121
Bottle PET: N358015
Bottle Pull: N358022
Bottle Spin Trim: N358023
Bottle Ram: N358024



NOTE: Silgan Plastic Closure Solutions reserves the right to modify or change the information contained herein without notice, unless other specific arrangements are made with the buyer of this product.

TECHNICAL DATA SHEET - DBJ Closure



<p>SPECIAL CONSIDERATIONS: HYGIENE</p>	<p>(US Requirements): FDA Requirements for direct food contact packaging must be met in handling and storage of raw materials, molding operations, and decorating operations. Machinery and auxiliary equipment that is in contact with the final product must be cleaned on both a daily and on as needed basis. Only food grade cleaning solutions shall be used. Operator shall wash their hands before handling product. Reference: "Standards for Fabrication of Single-Service Containers and Closures for Milk and Milk Products" by US Department of Health and Human Services (FDA). Closures should also meet bacterial standards as set by Section 7, Item 12p. and Appendix J. of the Grade "A" Pasteurized Milk Ordinance of the US Department of Health and Human Services of the Food and Drug Administration. The closure manufacturing plant must also be listed in the Sanitation Compliance and Enforcement Ratings of Interstate Milked Shippers (IMS List).</p>
<p>EQUIPMENT:</p>	<p>Equipment should be checked frequently to ensure proper alignment & elimination of anything that could cause cap damage or reduce operation rating. Regular cleaning of all equipment is necessary to remove any debris that could reduce operating rate. See TAB0002 Chute Cleaning.</p>
<p>WARRANTY:</p>	<p>Seller warrants that for a period of 90 days commencing with the date of each and every shipment that the goods included in such shipment shall be free of manufacturing defects. This warranty shall be voided if buyer fails to store goods after receipt in accordance with product storage guidelines as described.</p> <p>Buyer's sole remedy for breach of warranty shall be to require by written demand delivered to seller at its address indicated on product invoices that seller replace such defective goods. Seller shall be obligated to replace such defective goods as promptly as practicable.</p> <p>Except as set forth, buyer makes no warranty, express or implied, with respect to the goods. Without limiting the foregoing, seller has not made and does not make any guarantee, warranty or covenant, express or implied, with respect to the design, conformity with specifications communicated to buyer or seller or relied on by buyer, condition, durability, suitability, fitness for use, fitness for a particular purpose or merchantability of the goods. In no event, shall seller be liable for any special incidental or consequential damages, including, but not limited to, loss of profits or other economic loss, whether arising from breach of contract, breach of warranty, tort (including negligence) or otherwise.</p>
<p>DISCLAIMER:</p>	<p>The information contained in this document is, to our knowledge, true and accurate. However, since the particular use and the actual conditions of use of our products are beyond Silgan PCS control, establishing satisfactory performance of our products is the customer's sole responsibility. All uses of Silgan PCS products and any written or oral information, suggestions, or technical advice from Portola is without warranty, express or implied, except as indicated above, and is not an inducement to use any process or product in conflict with any patent or regulatory body.</p>

NOTE: Silgan Plastic Closure Solutions reserves the right to modify or change the information contained herein without notice, unless other specific arrangements are made with the buyer of this product.