

4

3

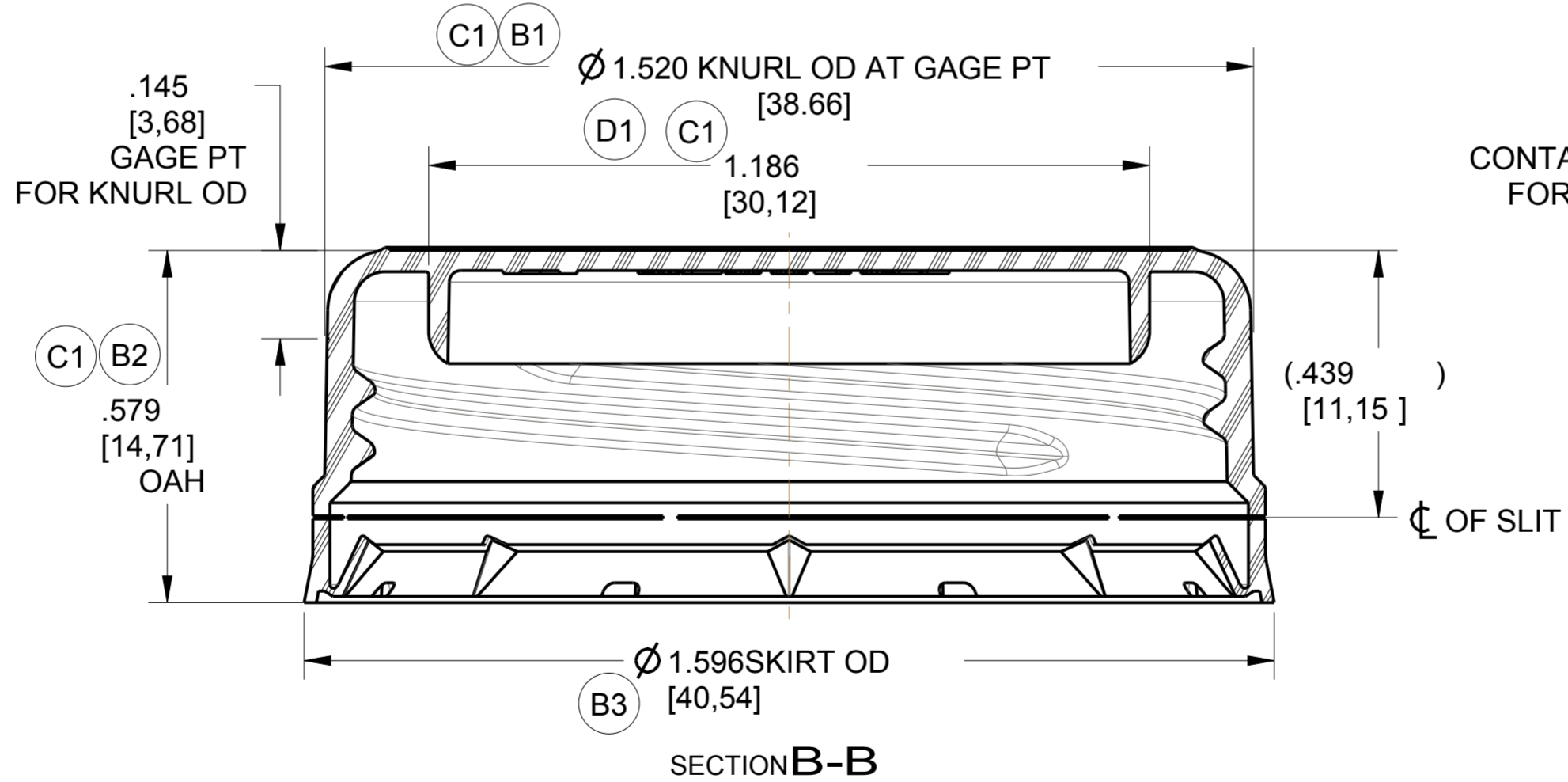
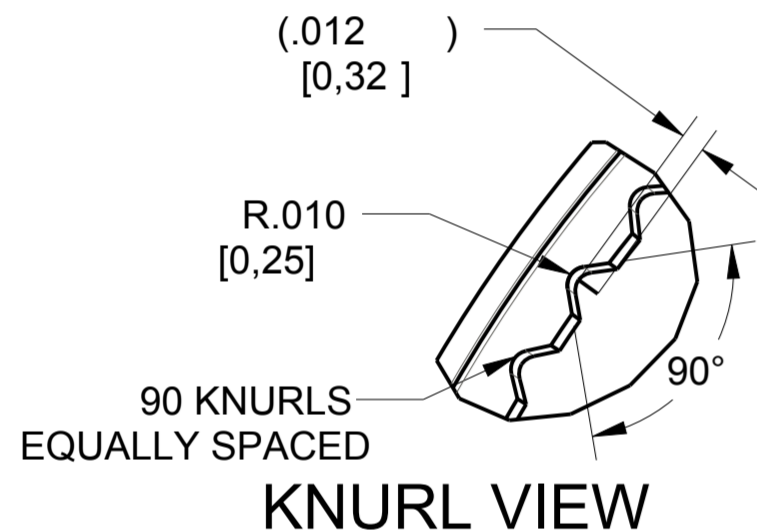
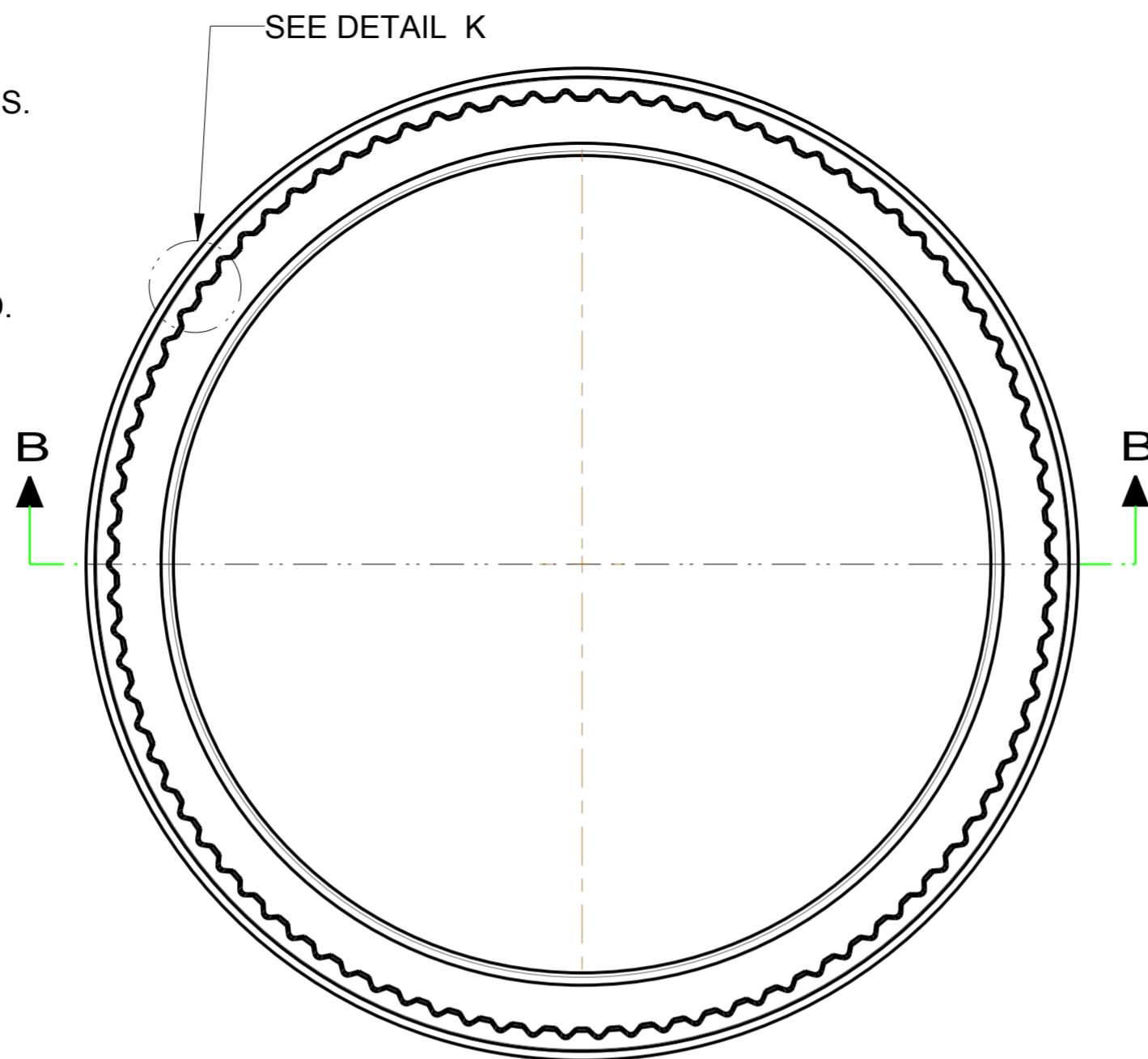
2

1

NOTES: UNLESS OTHERWISE SPECIFIED:

- 1. MATERIAL: HDPE PER PORTOLA PACKAGING, INC. (PPI) SPECIFICATIONS.
- 2. PRINTING OR LABELING: PER PPI SPECIFICATIONS.
- 3. COLOR: PER PPI SPECIFICATIONS
- 4. PART WEIGHT: CAP 2.6G AVG.
- 5. THREAD DATA: 3 LEADS AT 120 ° APART
180 ° FULL THREAD PER LEAD.
- 6. METRIC DIMENSIONS GIVEN IN [X,XX].
- 7. DO NOT SCALE DRAWING.

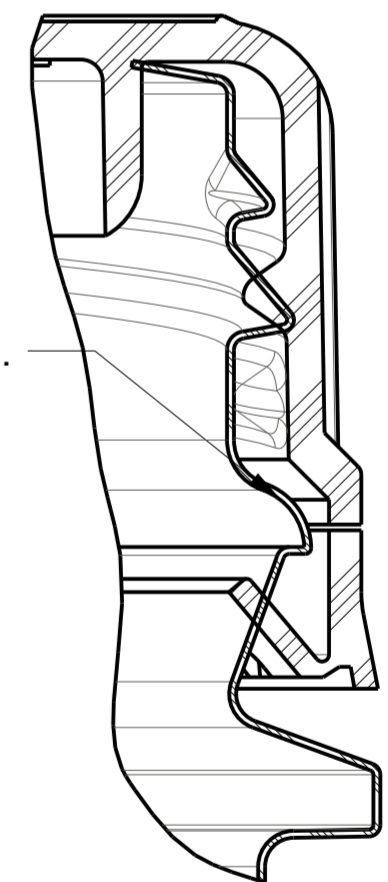
REVISIONS				
REV	DESCRIPTION	DATE	BY	APPR
A	RELEASE FOR CUSTOMER ECO# P100467	04/17/03	SG	LP
B	REVISED PER ECO # P100479	8/14/03	STW	LP
C	REVISED PER ECO # P100543	7/21/05	SSK	
D	REVISED PER ECO # P100630	11/29/11	SSK	



SCALE 1/1

UNCONTROLLED DOCUMENT
11/29/11, SSK

CONTACT PORTOLA PACKAGING, INC.
FOR BOTTLE FINISH INFORMATION



CLOSURE APPLICATION
SECTION R-R
SCALE 6/1

CONFIDENTIAL PROPRIETARY DATA
THIS DOCUMENT CONTAINS INFORMATION THAT IS THE CONFIDENTIAL AND PROPRIETARY PROPERTY OF PORTOLA PACKAGING, INC. AND MAY NOT BE COPIED, PUBLISHED, OR DISCLOSED TO OTHERS, OR USED FOR ANY PURPOSE OTHER THAN REVIEW. WITHOUT THE EXPRESS WRITTEN AUTHORIZATION OF AN AUTHORIZED OFFICER OF PORTOLA PACKAGING, INC. THIS DOCUMENT MUST BE KEPT ONLY IN PORTOLA PACKAGING, INC. CONFIDENTIAL FILES WHEN NOT IN USE.

DIMENSIONS ARE IN INCHES
TOLERANCES
UNLESS OTHERWISE SPECIFIED

FRACTIONS 1/32"
.X ± .02
.XX ± .01
.XXX ± .005
.XXXX ± .0005
ANGLE ± 0° 15'

DWN	SG	DATE	04/17/03
CHK		DATE	
APP		DATE	
MATERIAL	----	FINISH	----
HARDNESS	----	SCALE	4/1
SHEET	1 of 1	SHRINKAGE	----

PORTOLA CORPORATE OFFICE 951 DOUGLAS RD., BATAVIA, IL 60510		TITLE	
		38mm DBJ	
SIZE	DN#	REV	
C	C358121	D	

4

3

2

1