

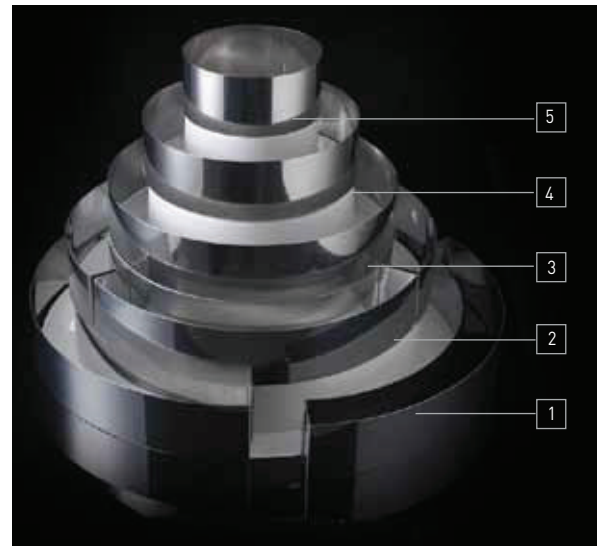
## UNIQUE AND PATENTED SYSTEM OF STACKABLE INSERTS AND STAINLESS STEEL FRAMES

### FRENCH STYLE WEDDING CAKE

This unrivalled and patented system consists of superimposed inserts and stainless steel frames allowing a spectacular architecture to be put up in record-breaking time. The assembly includes wedges to allow the assembled cake to be transported safely.

Tier height: 3 1/6"  
Total height: 15 3/4"

- Facilitates cake assembly.
- Ensures safe transportation of the finished cake to its delivery location.
- Makes cake cutting easier.
- Allows infinite number of possible tastes and textures.



The full wedding cake structure consists of 5 layers.  
Complete kit = 5 inserts + 5 stainless steel shapes

Tiers	ROUND	SQUARE/ DEC
5 Conventional stainless steel shapes assembly	Ø 6 1/3"	3 1/6" X 3 1/6"
4 Assembly of stainless steel shapes directly on insert	Ø 10 1/4"	7" X 7"
3 Assembly of stainless steel shapes directly on insert	Ø 10 1/4"	11" X 11"
2 3 shaped tiers or 4 rectangular, stainless steel	Ø 18 1/6"	15" X 15"
1 3 shaped tiers or 4 rectangular, stainless steel	Ø 22"	18 7/8" X 18 7/8"

#### THE SYSTEM CONSISTS OF:

- 5 ABS reusable and superimposed dessert supports.
- 3 round, square or de-structured square frames of stainless steel.
- 2 sets of 3 stainless steel circle tiers finally forming 2 crowns of desserts or 2 sets of 4 rectangles depending on shape.

The sizes of these components will allow storage and refrigeration on pastry grilles measuring 600 x 400 mm. Thermoformed inserts with open handles for easy handling of the cake tiers for assembly and superposition.



STUNNING ARCHITECTURE MADE IN THE FRENCH CAKE MAKING TRADITION



PROCESS



PHASE 1 : CUTTING OUT THE SPONGE



PHASE 2 : LINING



PHASE 3 : FILLING



PHASE 4 : UNMOLDING



PHASE 5 : ASSEMBLY

The desserts are all 2" wide. This makes them easy to cut into portions.

POSSIBLE NUMBER OF PORTIONS (size : 2" X 2" X 3 1/6"):

5 tiers = 160 portions (±125 ml) or 200 portions (±100 ml)

4 tiers = 115 portions (±125 ml)

3 tiers = 70 portions (±125 ml)

FRENCH STYLE WEDDING CAKE COMPLETE KIT

Stainless Steel

Item #	
681901	ROUND
681902	SQUARE
681903	DECONSTRUCTED

SET OF 5 STAINLESS STEEL SHAPES

Stainless Steel

Item #	
681911	ROUND
681912	SQUARE
681913	DECONSTRUCTED

SET OF 5 ENTREMETS STANDS - ABS

Item #	
681921	ROUND
681922	SQUARE
681923	DECONSTRUCTED



ROUND PLEXIGLASS STAND FOR WEDDING CAKE

Item #	
681934	Ø 26 3/4"