



# MX1500TXP

Programmable Hi-Power Blender with Sound Enclosure and 48 oz., BPA-Free Copolyester Container



\*Made in USA with US and foreign parts.

## ELECTRICAL

Voltage: 120

Frequency: 60Hz

Watts: 1500

Amps: 12.5

Plug Type: A

Cord Length: 6 feet



## MAIN FEATURES

- Heavy-duty, 3.5 peak HP, high-performance motor
- Power through the toughest ice and frozen fruit mixtures in seconds
- 45,000 RPM bare motor speed
  - Super-high speed for the smoothest consistencies, with 2-speed selection
- 4 reprogrammable beverage stations for perfect results every time
  - Factory-set programs for the most popular beverage types
  - Easy to create your own customized programs—fully reprogrammable directly on the keyboard! No need for a USB or computer for programming
- Daily and total drink counter display
- Dual PULSE feature with reprogrammable speed control
- Easy-to-clean, electronic-membrane keypad
- Sound enclosure included for serious noise reduction
- The Raptor® 48 oz., stackable, BPA-free, copolyester container
  - High-performance, cloverleaf jar design creates a high-power vortex, funneling food directly into the blade
  - Unbreakable, dishwasher-safe, BPA-free copolyester construction
- High-performance, high-impact, stainless-steel blade
  - Easily user replaceable for servicing
- Metal-on-metal, stainless-steel coupling system for durability and reliability—both couplings are user replaceable
- Easily removable container cover with removable clear cap for adding ingredients and for pressure reduction during hot food blending
- One-piece, dishwasher-safe, removable jar pad
- Recommended for 75+ drinks per day
- Limited Three-Year Motor Warranty and Two-Year Parts and Labor Warranty

## SALES FEATURES

Get smooth, consistent results with the Waring® MX1500TXP. This heavy-duty, 3.5 HP blender maximizes power and efficiency using The Raptor® jar and blade assembly. Blend frozen drinks, sauces, soups and more. An easy-to-clean, electronic-membrane keypad with blue backlit LCD screen, adjustable speed controls and four programmable beverage stations make it perfect for restaurants, health facilities, schools or coffee shops.

Programmable Hi-Power Blender with Sound Enclosure and 48 oz., BPA-Free Copolyester Container

MX1500TXP



@waringcommercial

©2019 Waring Commercial  
314 Ella T. Grasso Avenue, Torrington, CT 06790  
Tel. 800-492-7464 • Fax 860-496-9008

waringcommercialproducts.com

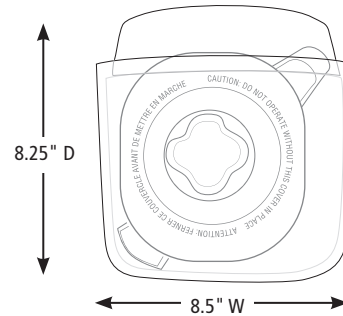
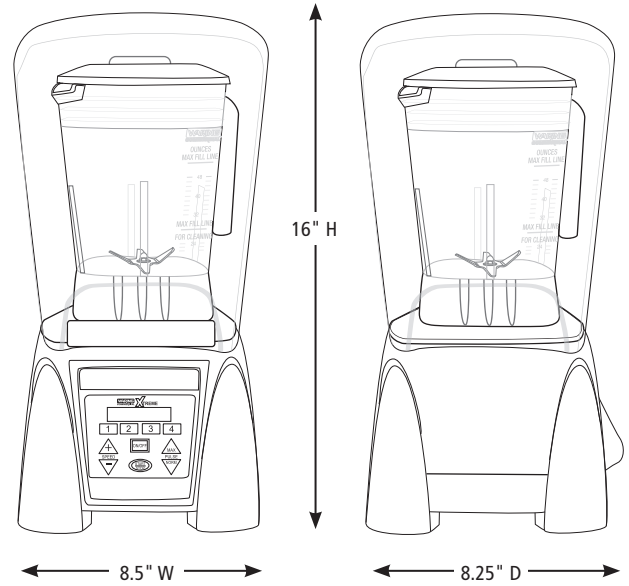


# Programmable Hi-Power Blender with Sound Enclosure and 48 oz., BPA-Free Copolyester Container MX1500TXP

## PARTS & ACCESSORIES

- |   |  |   |  |
|---|--|---|--|
|    | <b>CAC90</b><br>64 oz. Stainless Steel Container   |    | <b>CAC95-12</b><br>64 oz. Green Copolyester Container                      |
|    | <b>CAC93X</b><br>48 oz. Copolyester Container  |    | <b>CAC95-28</b><br>64 oz. Orange Copolyester Container                     |
|    | <b>CAC93X-03</b><br>48 oz. Yellow Copolyester Container  |    | <b>CAC116</b><br>Blending Assembly Kit and Retainer Ring Kit               |
|    | <b>CAC93X-06</b><br>48 oz. Blue Copolyester Container  |    | <b>CAC119</b><br>Retainer Ring Wrench                                      |
|    | <b>CAC93X-10</b><br>48 oz. Purple Copolyester Container  |    | <b>CAC158</b><br>Blending Assembly Kit                                     |
|    | <b>CAC93X-12</b><br>48 oz. Green Copolyester Container   |    | <b>CAC159</b><br>Retainer Ring Kit   |
|   | <b>CAC93X-28</b><br>48 oz. Orange Copolyester Container  |   | <b>CAC160</b><br>Drive Coupling  |
|  | <b>CAC95</b><br>The Raptor® – Aggressive, All-Purpose, Stackable, 64 oz., BPA-Free Copolyester Container |  | <b>CAC161</b><br>Drive Coupling Removal Tool                               |
|  | <b>CAC95-03</b><br>64 oz. Yellow Copolyester Container   |  | <b>CAC169</b><br>Spatula – Custom designed for use with MX Series Blenders |
|  | <b>CAC95-06</b><br>64 oz. Blue Copolyester Container   |  | <b>SE1000</b><br>Large Sound Enclosure                                     |
|  | <b>CAC95-10</b><br>64 oz. Purple Copolyester Container   |  | <b>SE500</b><br>Small Sound Enclosure                                      |

## DIMENSIONS



Out of Box Weight: 21.50 lb.

ORDERING INFORMATION	#STD. PKG.	GIFTBOX WEIGHT	CUBIC FEET	BOX DIMENSIONS D X W X H	UPC	CASE PKG.	MC WEIGHT	MC DIMENSIONS D X W X H	MBC
MX1500TXP– Programmable Hi-Power Blender with Sound Enclosure 48 oz., BPA-Free Copolyester Container	1	25	2.318	20.875" x 11.125" x 17.25"	040072031304	1	25	20.875" x 11.125" x 17.25"	10040072031301



@waringcommercial

©2019 Waring Commercial  
314 Ella T. Grasso Avenue, Torrington, CT 06790  
Tel. 800-492-7464 • Fax 860-496-9008

waringcommercialproducts.com

19WC063875 / REV 09/19