



Outperform every day.™

Project:

Item Number:

Quantity:

Low Profile Hinged Glass Breath Guards

The Vollrath Company, L.L.C.

LOW PROFILE HINGED GLASS BREATH GUARDS



FEATURES

- Welded top frame provides rigid structural support, so fewer upright supports are needed.
- ¼" (6.4 mm) tempered glass panels provide durability and a clear view of the food.
- Threaded standoffs make it easy to remove the top shelf, as well as ensure it is securely attached to prevent accidental movement.
- Fully adjustable hinged front panels provide full-access for loading and unloading food, and cleaning the glass.
- Extruded aluminum upright supports have built-in wiring chases for lighting and heat strip options.
- Upright support and frame caps provide easy access to the electrical wiring for service.
- Mounts to stainless steel, solid surface and laminate countertops.

Note: NSF Certification requires the breath guard be mounted to a countertop that has a depth of at least 28"(71.1 cm) and a height between 34-36"(86.4-91.4).

Note: When ordering breath guards for Signature Server® bases with stainless steel countertops, 14 gauge countertops must be specified, will be supplied by Vollrath and added to the cost of the base. Please see the Vollrath Food Service List Prices book.

DESCRIPTION

Vollrath's Low Profile Hinged Glass Breath Guards are NSF certified. They can also easily be adjusted for greater access for loading and unloading food, as well as cleaning.

WARRANTY

All models shown come with Vollrath's standard warranty against defects in materials and workmanship. For full warranty details, please refer to www.Vollrath.com.

BUILD A MODEL NUMBER

Step 1* Select Base Item			Optional Step 2 Select Accessories	
Length	For Use Over Signature Server® Bases with Stainless Steel Countertops	For Use Over Drop-ins and Signature Server® Bases with Non-Stainless Steel Countertops	Suffix	Length
Double-Sided Buffet			LED Lights	
2-Well/Pan	—	LP55277	66	2-Well/Pan
3-Well/Pan	55278	LP55278	67	3-Well/Pan
4-Well/Pan	55279	LP55279	92	4-Well/Pan
5-Well/Pan	55280	LP55280	93	5-Well/Pan
6-Well/Pan	55281	LP55281	94	6-Well/Pan
Single-Sided Buffet with Top Shelf			Cayenne® Heat Strips	
2-Well/Pan	—	LP55319	95	2-Well/Pan
3-Well/Pan	55315	LP55315	68	3-Well/Pan
4-Well/Pan	55316	LP55316	97	4-Well/Pan
5-Well/Pan	55317	LP55317	98	5-Well/Pan
6-Well/Pan	55318	LP55318	11	6-Well/Pan
			Cayenne® Heat Strips w/ Lights	
			13	2-Well/Pan
			01	3-Well/Pan
			02	4-Well/Pan
			03	5-Well/Pan
			04	6-Well/Pan

* When ordering breath guards for Signature Server® bases with stainless steel countertops, 14 gauge countertops must be specified, will be supplied by Vollrath and added to the cost of the base. Please see the Vollrath Food Service List Prices book.

Due to continued product improvement, please consult www.vollrath.com for current product specifications.



Outperform every day.™

www.vollrath.com

The Vollrath Company, L.L.C.

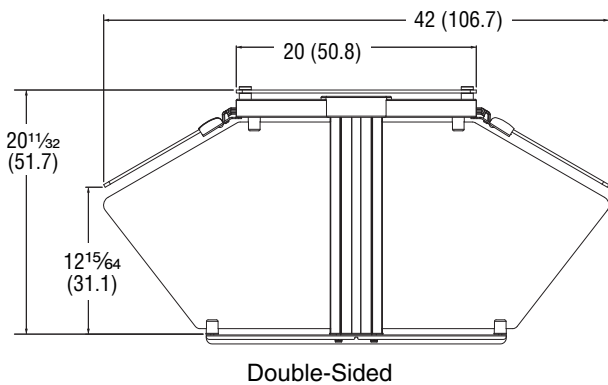
1236 North 18th Street
Sheboygan, WI 53081-3201 U.S.A.
Main Tel: 800.624.2051 or 920.457.4851
Main Fax: 800.752.5620 or
920.459.6573

Technical Services
techservicereps@vollrathco.com
Induction Products: 800.825.6036
Countertop Warming Products:
800.354.1970
All Other Products: 800.628.0832

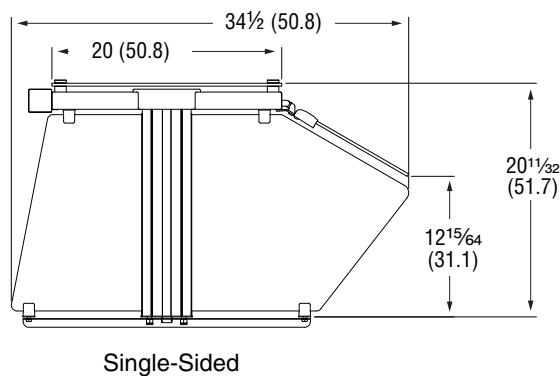
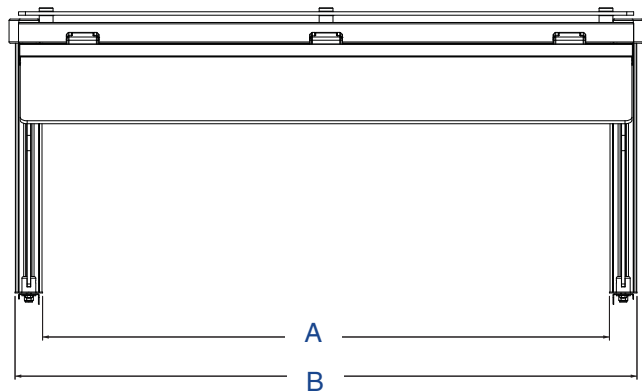
LOW PROFILE HINGED GLASS BREATH GUARDS

DIMENSIONS (Shown in inches (cm))

End View

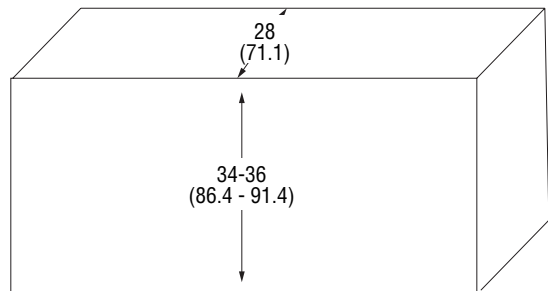


Front View



MOUNTING REQUIREMENTS

Note: NSF Certification requires the breath guard be mounted to a countertop that has a depth of at least 28" (71.1 cm) and a height between 34"-36" (86.4-91.4)



SPECIFICATIONS

Item No.		For Use With	Size	(A)	(B)
Double-Sided	Single-Sided			Inside of Flange to Inside of Flange	Outside of Flange to Outside of Flange
55278	55315	Over Signature Server® Bases with Stainless Steel Countertops	Three-Well/Pan	41 (14.1)	44 (111.8)
55279	55316		Four-Well/Pan	55 (139.7)	58 (147.3)
55280	55317		Five-Well/Pan	69 (175.3)	72 (182.9)
55281	55318		Six-Well/Pan	83 (210.8)	87 (220.9)
LP55277	LP55319	For Use Over Drop-ins and Signature Server® Bases with Non-Stainless Steel Countertops	Two-Well/Pan	30 (76.2)	33 (83.8)
LP55278	LP55315		Three-Well/Pan	44 (111.7)	47 (119.4)
LP55279	LP55316		Four-Well/Pan	57 (144.8)	60 (152.4)
LP55280	LP55317		Five-Well/Pan	70 (177.8)	73 (185.4)
LP55281	LP55318	Six-Well/Pan	83 (210.8)	87 (220.9)	



Outperform every day.™

www.vollrath.com

The Vollrath Company, L.L.C.
 1236 North 18th Street
 Sheboygan, WI 53081-3201 U.S.A.
 Main Tel: 800.624.2051 or 920.457.4851
 Main Fax: 800.752.5620 or
 920.459.6573

Technical Services
techservicereps@vollrathco.com
 Induction Products: 800.825.6036
 Countertop Warming Products:
 800.354.1970
 All Other Products: 800.628.0832