

Beverage Service Cart

Stainless Steel With Laminate



Model 675
(Shown in Victorian Cherry
finish with optional doors.)



Model 636



Optional Contour Top

Transport And Serve From One Attractive Cart

Benefits

- Eliminates the need for serving tables, linens
- Can be loaded in kitchen for transport to serving area

Features

- Durable welded stainless steel construction
- Interior stainless steel shelves store supplies and service items
- Waterproof laminate top with 2" side and back rails
- Choice of laminate/vinyl exterior finishes
- Available in three sizes, with or without spacious dropleaves

Casters

- Heavy-duty 5" or 4" diameter with rounded cushion-tread for quiet, easy movement

Specifications:

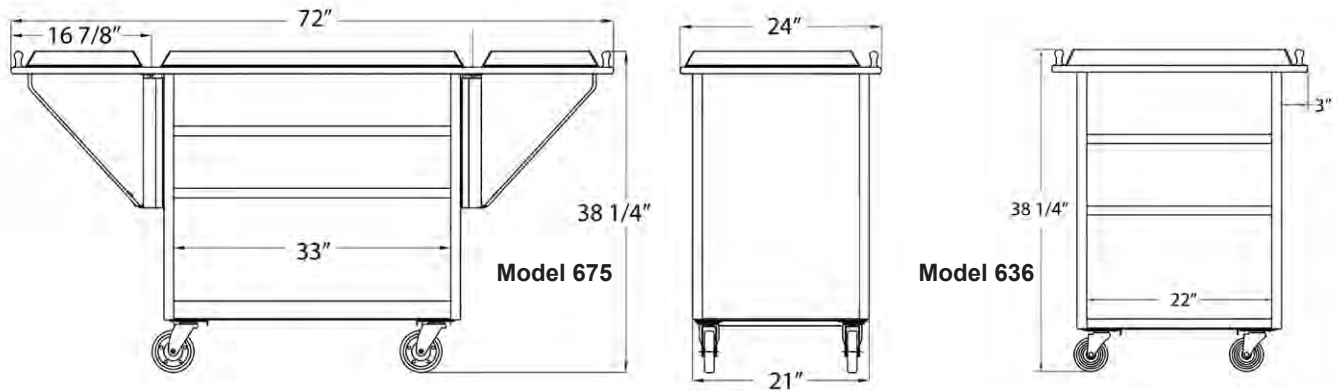
Unit shall be of welded stainless steel construction with decorative laminate top and exterior. Cabinet shall have 20-gauge sides and 24-gauge bottom, with 20-gauge interior shelves. Top shall be 3/4" plywood with finished back and waterproof laminate top finish. Top shall have black vinyl T-molding edge, and have 2" high HDPE rails on three sides. Exterior stainless steel side panels shall be covered with either heavy-duty vinyl or laminate in choice of standard or custom finishes. Models with dropleaves shall feature swing-out supports in color matching finish. Unit shall have four each plate type swivel casters, two with brake, mounted to a galvanized steel dolly on unit base. Caster wheels shall be 5" diameter (4" on Models 636 and 672) with non-marking, rounded cushion tread.

Spec. # _____

AIA # _____

Beverage Service Cart

Stainless Steel With Laminate

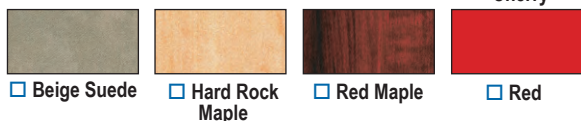


Product Information:

Model	Overall Size			# of	Interior Shelves		Top Description		Caster Dia.	Case Wt. Lbs.
	W	L	H		Size	Clearance	Leaves	Size		
<i>Models With Drop-leaves</i>										
672	21"	33 ¹ / ₈ "	38 ¹ / ₄ "	2 ea.	15 ¹ / ₂ " x 24"	7 ³ / ₈ "	Up	19 ¹ / ₂ " x 45 ³ / ₈ "	4"	128
				(533)	(841)	(973)		1 ea.		
675	24"	44 ¹ / ₄ "	38 ¹ / ₄ "	2 ea.	21" x 35"	6 ¹ / ₄ "	Up	22 ¹ / ₂ " x 72"	5"	211
				(610)	(1126)	(973)		1 ea.		
676	24"	61 ¹ / ₄ "	38 ¹ / ₄ "	2 ea.	21" x 50"	6 ¹ / ₄ "	Up	22 ¹ / ₂ " x 93 ¹ / ₄ "	5"	231
				(610)	(1568)	(973)		1 ea.		
677	24"	40 ³ / ₄ "	38 ¹ / ₄ "	2 ea.	21" x 35"	6 ¹ / ₄ "	Down	22 ¹ / ₂ " x 44 ¹ / ₂ "	5"	211
				(610)	(1035)	(973)		1 ea.		
678	24"	61 ¹ / ₄ "	38 ¹ / ₄ "	2 ea.	21" x 50"	6 ¹ / ₄ "	Down	22 ¹ / ₂ " x 56"	5"	231
				(610)	(1568)	(973)		1 ea.		
<i>Models Without Drop-leaves</i>										
636	21"	30 ¹ / ₄ "	38 ¹ / ₄ "	2 ea.	15 ¹ / ₂ " x 24"	7 ³ / ₈ "	N/A	19 ¹ / ₂ " x 27 ¹ / ₂ "	4"	107
				(533)	(768)	(973)		1 ea.		
678	24"	40 ³ / ₄ "	38 ¹ / ₄ "	2 ea.	21" x 35"	6 ¹ / ₄ "	N/A	22 ¹ / ₂ " x 37 ³ / ₄ "	5"	164
				(610)	(1035)	(973)		1 ea.		
681	24"	58 ³ / ₈ "	38 ¹ / ₄ "	2 ea.	21" x 50"	6 ¹ / ₄ "	N/A	22 ¹ / ₂ " x 55 ⁵ / ₈ "	5"	184
				(610)	(1483)	(973)		1 ea.		

Dimensions in () denote metric millimeters, unless otherwise noted.

Available Finishes



Options:

- 2 ea. brake casters
- Contour top
- Hinged doors
- Hinged doors with lock
- Pull-out silverware drawer (Models 676, 681)



Lakeside Manufacturing, Inc.
 4900 West Electric Avenue • West Milwaukee, WI 53219 U.S.A.
 800-558-8565 • 414-902-6400 • Fax 414-902-6446 • www.eLakeside.com