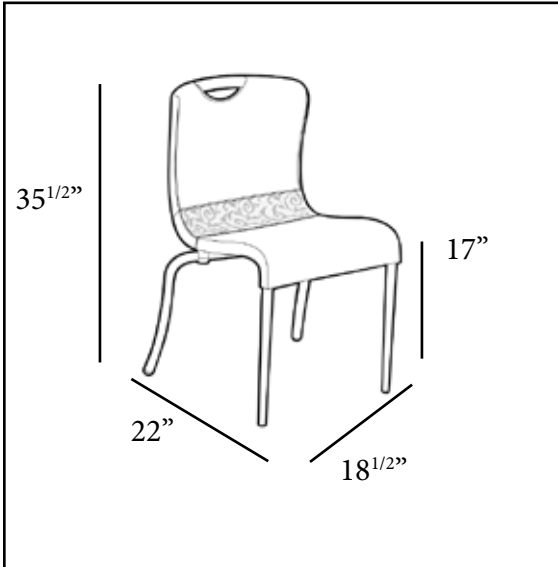




Krystal Interior Stacking Chair

Meets the performance standards of EN 581-1 and EN 581-2 for commercial use.

Tested in accordance with and passes each test procedure utilized in ASTM F 1561-96 Class B performance standard for commercial seating.



Features & Benefits **Warranty: 3 Yrs.**

- Chiseled in crystal clear polymer for a contemporary look.
- European design with an ergonomic seat and backrest.
- Transparent color hues to complement timeless wood decors as well as modern or transitional furnishings.
- Stacks for convenient storage.
- Virtually maintenance free.

Product Specifications

Product Description	Reference Number	Color	UPC Code 014306	Weight Each (lbs.)	Master Pack	Master Pack Volume (cu. ft.)
Krystal Interior Stacking Chair	XD203447	Amber/Charcoal	909677	15.31	12	45.96
	US203447	Amber/Charcoal	909677	14.70	4	21.60
	XD203207	Red/Charcoal	909660	15.31	12	45.96
	US203207	Red/Charcoal	909660	14.70	4	21.60
	XD203206	Clear/Charcoal	909646	15.31	12	45.96
	US203206	Clear/Charcoal	909646	14.70	4	21.60
	XD203208	Smoke/Charcoal	909653	15.31	12	45.96
	US203208	Smoke/Charcoal	909653	14.70	4	21.60