



# KPS-DS Direct Steam Pedestal Stationary Kettle



Project \_\_\_\_\_

Item No. \_\_\_\_\_

Quantity \_\_\_\_\_

- Model KPS-20DS - 20 gallon (76 litres) direct steam pedestal stationary kettle
- Model KPS-30DS - 30 gallon (114 litres) direct steam pedestal stationary kettle
- Model KPS-40DS - 40 gallon (151 litres) direct steam pedestal stationary kettle
- Model KPS-60DS - 60 gallon (227 litres) direct steam pedestal stationary kettle
- Model KPS-80DS - 80 gallon (303 litres) direct steam pedestal stationary kettle
- Model KPS-100DS - 100 gallon (380 litres) direct steam pedestal stationary kettle

### CONSTRUCTION

- Water resistant construction
- 304 stainless steel construction with #4 satin finish
- 316 stainless steel interior cooking surface for added corrosion resistance for 20, 30 and 40 gallon
- Stainless steel pedestal base with four 7/16" holes evenly spaced for securing to the floor
- Hemispherical design on bottom of kettle for superior heat circulation

### STANDARD FEATURES

- 2" (50mm) sanitary draw off valve
- Spring assist hinged stainless steel cover
- Stainless steel faucet bracket
- One year parts and labor warranty\*

\* For all international markets, contact your local distributor.



### OPTIONS AND ACCESSORIES (AT ADDITIONAL CHARGE)

- Etched markings
  - Gallons
  - Litres
- Draw Off valves and accessories
  - 3" (76mm) draw off valve
  - 3" (76mm) dairy valve
  - Perforated strainer for draw off
  - Solid stainless steel disc for draw off valve
- Faucets
  - Single pantry faucet with swing spout
  - Double pantry faucet with swing spout
- Tri-basket assembly
- 316 stainless steel liner for 60, 80 and 100 gallon
- 50 PSI (345 kPa) high pressure operation for higher cooking temperature
- Steam control valve
- Strainer hook
- Graduated measuring strip
- Steam trap assembly consisting of steam trap, steam inlet, check valve, and line strainer
- Correctional package

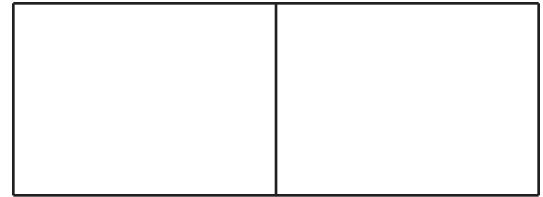
KPS-DS PEDESTAL BASE STATIONARY KETTLE

### BLODGETT OVEN COMPANY

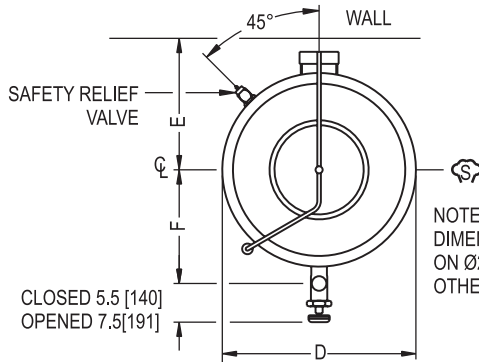
www.blodgett.com • 44 Lakeside Avenue, Burlington, VT 05401 • Phone: (802) 658-6600 • Fax: (802) 864-0183



# KPS-DS PEDESTAL STATIONARY KETTLE



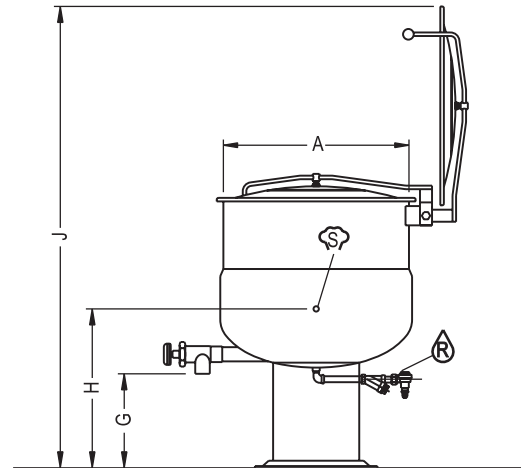
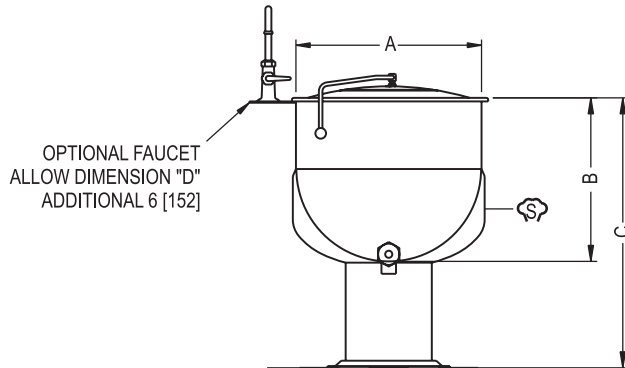
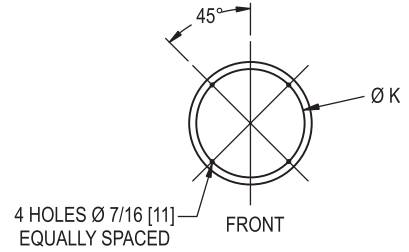
APPROVAL/STAMP



DIMENSIONS ARE IN INCHES [MM]

NOTE:  
DIMENSIONS F AND G ARE BASED  
ON Ø2" DRAW-OFF VALVE.  
OTHER VALVES VARY ACCORDINGLY.

PEDESTAL DETAIL



MODEL	A	B	C	D	E	F	G	H	J	K
KPS-20DS	21[533]	18[457]	37[940]	22.75[578]	16[406]	12.75[324]	17.13[435]	25.88[657]	59.75[1518]	16.88[429]
KPS-30DS	24[610]	20[508]	37[940]	25.88[657]	17.5[445]	13.5[343]	15.13[384]	26.38[670]	62.88[1597]	16.88[429]
KPS-40DS	26[660]	22.5[572]	37[940]	27.88[708]	18.5[470]	14.25[362]	12.63[321]	23.88[606]	64.88[1648]	16.88[429]
KPS-60DS	29.5[749]	26[660]	40.5[1029]	31.38[822]	17.75[451]	15.5[394]	12.63[321]	24.69[627]	72.88[1851]	16.88[429]
KPS-80DS	33[838]	28[711]	42.5[1080]	34.75[883]	19.5[495]	17.5[445]	10.63[270]	23.88[606]	77.25[1962]	19.63[498]
KPS-100DS	35.5[902]	30[762]	44.5[1130]	37.25[946]	20.75[527]	17[432]	12.63[321]	26.63[676]	81.75[2076]	19.63[498]

**SHORT FORM SPECIFICATIONS:** Provide Blodgett stationary kettle. The unit shall have a double wall interior to form a steam jacket around the lower 2/3 of the kettle. The bottom of the kettle shall be of hemispherical design for superior heat circulation. The kettle shall mount on stainless steel pedestal base with four 7/16" holes evenly spaced for securing to the floor. Construction shall be all welded #4 satin finish 304 stainless steel. 20, 30 and 40 gallon models shall have a 316 stainless steel liner. Unit shall include 2" sanitary draw off valve and a spring assist hinged stainless steel cover. Unit shall be ASME code stamped and National Board registered. Provide options and accessories as indicated.

## PIPING REQUIREMENTS:

Steam Supply 3/4" IPS (19 mm)  
Condensate Return 1/2" IPS (13 mm)

## STEAM PRESSURE:

Minimum 5 PSI (34 kPa)  
Maximum 35 PSI (241 kPa) standard kettle  
50 PSI (345 kPa) optional high pressure kettle

Pressure reducing valve required if incoming steam pressure exceeds the kettle rating.

## SHIPPING INFORMATION:

### Approx. Weight:

KPS-20DS 205 lbs. (93 kg)  
KPS-30DS 230 lbs. (104 kg)  
KPS-40DS 240 lbs. (109 kg)  
KPS-60DS 315 lbs. (143 kg)  
KPS-80DS 360 lbs. (163 kg)  
KPS-100DS 410 lbs. (186 kg)

**NOTE:** The company reserves the right to make substitutions of components without prior notice

## BLODGETT OVEN COMPANY

www.blodgett.com • 44 Lakeside Avenue, Burlington, VT 05401 • Phone: (802) 658-6600 • Fax: (802) 864-0183