

ALUMINUM KEG RACKS

REGENCY
Commercial
Space Solutions



FEATURES

- Extruded aluminum construction is great for storage of your most popular brews
- Features 3 adjustable shelves for storage. Top shelf not recommended for keg storage.
- 1⁵/₁₆" thick aluminum posts have plastic caps
- Easy to assemble



SPECIFICATIONS

ITEM	LENGTH	WIDTH	HEIGHT	KEGS	SHELVES	WEIGHT CAPACITY PER SHELF	TOTAL WEIGHT CAPACITY
600AKR42	42"	20"	76"	4	3	350 lb.	715 lb.
600AKR60	60"	20"	76"	6	3	500 lb.	1015 lb.
600AKR72	72"	20"	76"	8	3	600 lb.	1215 lb.
600AKR80	80"	20"	76"	8	3	660 lb.	1335 lb.
600AKR93	93"	20"	76"	10	3	775 lb.	1565 lb.

NOTE: Weight Capacity Per Shelf refers to the bottom (2) two shelves. The top shelf has a capacity of 15 lb. per sq. ft. and is meant for lightweight supplies.

REGENCYTABLESANDSINKS.COM

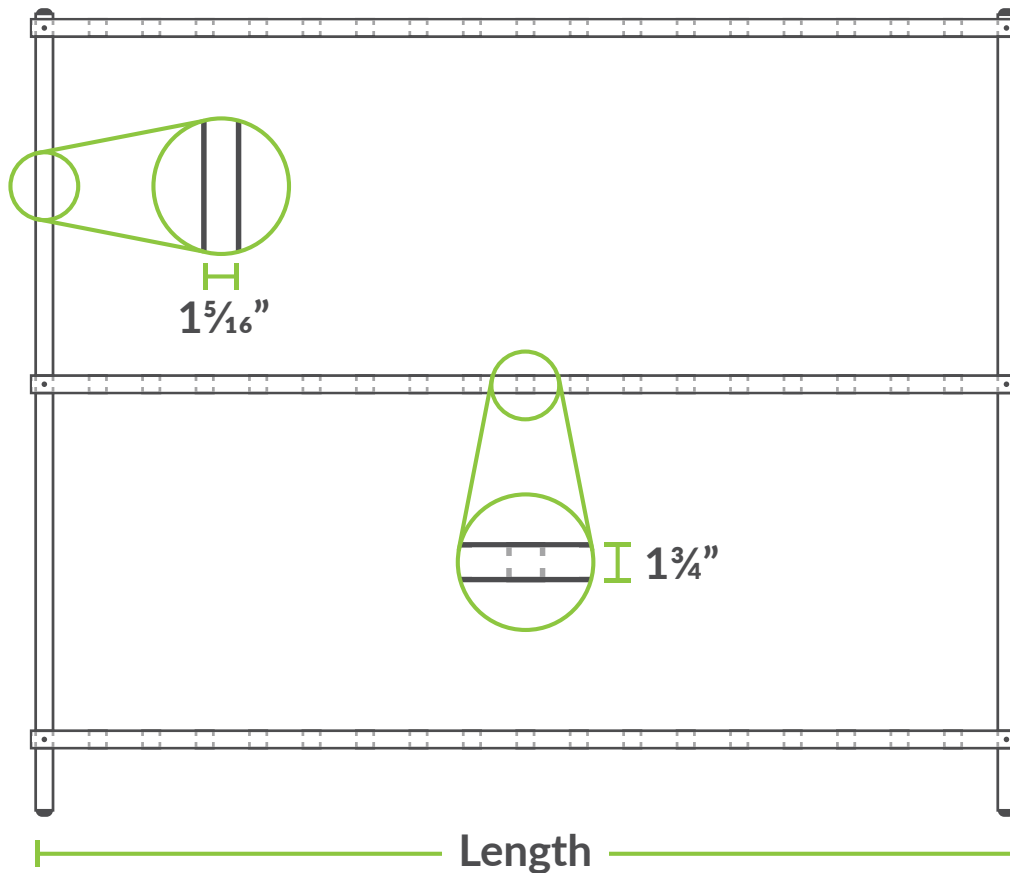
ALUMINUM KEG RACKS

REGENCY
Commercial
Space Solutions

TOP



FRONT



SIDE

