



K-69 3-1/2" GOOSENECK SPLASH MOUNT FAUCET

Conforms To NSF 61/9 Lead Free Requirements



Click This Link To
View Assembly Sheet

Item #: _____ Qty #: _____
 Model #: _____
 Project #: _____

FEATURES:

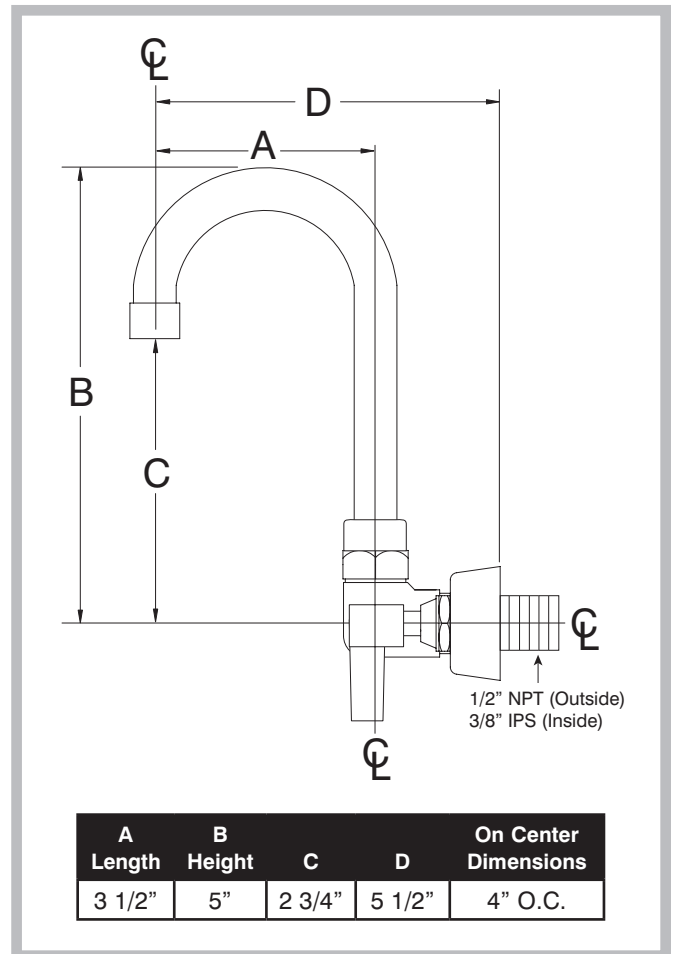
- 3 1/2" swivel gooseneck spout.
- 4" O.C. water supply.
- Quarter-turn wedge style handles.
- Colored hot & cold indexes.
- 2.0 GPM/3.8 LPM Aerator. 60 PSI.

MATERIAL:

- Brass chrome plated body & spout.
- Chrome plated handles.

FAUCET AERATOR CONFORM TO
 ASTM.A112.18.1M • 2.0 GPM/3.8 LP
 THREAD: 55/64 - 27 FEMALE

DIMENSIONS and SPECIFICATIONS



Options & Accessories

Wrist Handles For Existing K-69 Faucet

*Can Only Be Used On Faucets Purchased After January 2016. For Older Faucets, Consult Customer Service.

K-416-LU (Set of 2)

For a Complete faucet with Wrist Handles, See our K-316 Spec Sheet.



Low Flow Aerator

.5 GPM

K-08



⚠ WARNING:

Faucet(s) on this page may expose you to chemicals, including lead, that are known to the State of California to cause cancer or birth defects or other reproductive harm. For more Info., visit www.p65warnings.ca.gov.



Customer Service Available To Assist You 1-800-645-3166 8:30 am - 8:00 pm E.S.T.

For Orders & Customer Service:

Email: customer@advancetabco.com or Fax: 631-242-6900

For Smart Fabrication™ Quotes:

Email: smartfab@advancetabco.com or Fax: 631-586-2933