



# Symphony Plus™ ice and water dispenser

12 HI series wall mount with Chewblet® ice machine

## Features

Narrow, 16.12" (40.9 cm) width

12 lb (5.4 kg) ice storage capacity

Integral air-cooled ice machine with up to 425 lb (193.0 kg) daily production of popular Chewblet ice

- soft, chewable, compressed nugget ice is preferred over cubes<sup>1</sup> and is ideal for patient care

**New** - Quiet Night™ sleep mode turns off ice machine when idle

Designed with sanitation in mind

**New** - automatic self-flushing of ice machine removes impurities

**New** - drain cup provides internal air gap for added protection of food zone components from drain line contaminants

- Agion® silver-based antimicrobial provides protection of key ice and water contact components<sup>2</sup>

- SensorSAFE™ infrared ice dispense

Dependable design, easy to service and clean

**New** - cleaning and sanitizing of entire machine takes only 1 hour

**New** - LED display control board provides at-a-glance machine status

- panels are easily removed for accessibility to all components

- ice machine parts are common across all Symphony Plus dispensers

- stainless steel evaporator and auger deliver long life

Environmentally responsible

- meets Consortium for Energy Efficiency Tier 2 specifications

- R404a refrigerant has zero ozone depletion potential

- continuous ice making process uses less electricity and water

Durable, attractive dispenser

- frame and exterior cabinet are stainless steel with accent trim

- poly drain pan, grille and dispenser lid are corrosion-resistant

Easy installation and industry's best warranty

- comes fully assembled and installs with three easy connections – electric, water and drain

- warranty – 3 years parts and labor, 5 years compressor parts

SensorSAFE not recommended for use with clear containers or for applications in direct sunlight

Ice and water dispensers, 115V/60 Hz			
Ice storage capacity	Dispense	Ice machine cooling	Item number
<b>12 lb (5.4 kg)</b>	SensorSAFE	air	<b>12HI425A-S0-00</b>
			<b>12HI425A-S0-DP*</b>

\* Units configured with drain pan  
Ice-only available, replace -S0 with -SI  
Example: 12HI425A-SI-00



Shown without drain pan

Ice production		
Temperatures air/water	70/50 F (21/10 C)	90/70 F (32/21 C)
Air-cooled	425 lb (193.0 kg)	325 lb (147.6 kg)
Energy consumption per 100 lb (45.4 kg) ice	N/A	6.3 kWh air-cooled
Water consumption	12.0 gal (45.4 L) of potable water per 100 lb (45.4 kg) of ice	

## Accessories

SafeCLEAN™ environmentally responsible ice machine cleaner (item# 00132001)

Nu-Calgon® IMS-II sanitizer, 16 oz bottle (item# 00979674)

Additional filters (refer to form# 6380, 9905, 6070)

Additional Symphony Plus accessories (refer to price list)

Job \_\_\_\_\_

Item \_\_\_\_\_

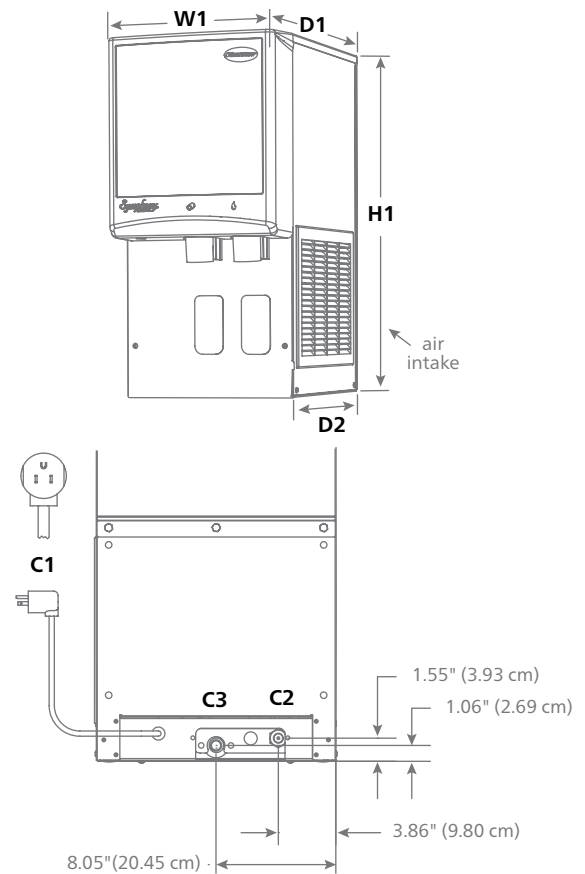
## Specification

Ice storage capacity	12 lb (5.4 kg)
<b>W1</b> Width	16.12" (40.9 cm)
<b>D1</b> Depth, upper cover	23.50" (59.7 cm)
<b>D2</b> Depth, bottom	18.50" (47.0 cm)
<b>H1</b> Height	32.50" (82.6 cm)
Ventilation clearance	6.00" (15.24 cm) top and right side
Service clearance	12.00" (30.5 cm) top
<b>C1</b> 115 V/60/1 electrical	11 amps, 0.8 kW 8.5' (2.6 m) cord w/ NEMA 5-15 90° hospital-grade plug
<b>C2</b> Potable water inlet	3/8" FPT
<b>C3</b> Drain	3/4" MPT
Utility connection location	through back
<b>K1</b> Minimum span – wall bracing required in most applications	13.00" (33.0 cm) on center mounting for securing NOTE: Wall mount bracket standard
<b>K2</b> Maximum height from sink	18.00" (45.7 cm)
<b>K3</b> Minimum distance from wall to front of sink	30.00" (76.2 cm)
<b>K4</b> Minimum sink width	16.00" (40.6 cm) centered on dispenser, 11.50" (29.2 cm) centered on chutes
<b>K5</b> Minimum sink depth	16.00" (40.6 cm)
Air temperature	50 - 100 F (10 - 38 C)
Water temperature	45 - 90 F (7 - 32 C)
Water pressure	10 - 70 psi (69 - 483 kpa)
Heat rejection	5000 BTU/hr
Approximate ship weight	199 lb (90 kg)

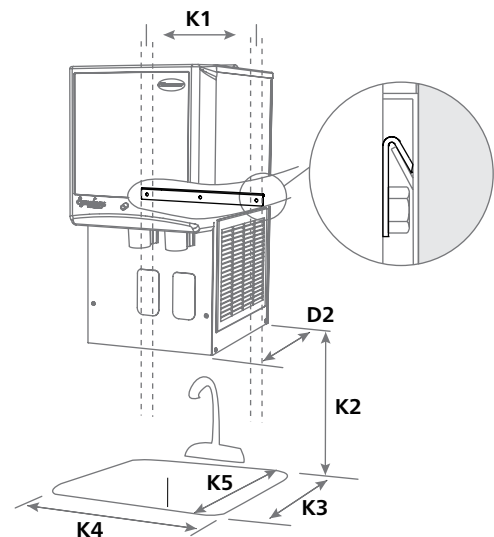
NOTE: For indoor use only

**SHORT FORM SPECIFICATION:** Ice and water dispenser to be Follett® automatic load in wall mount configuration, with 12 lb (5.4 kg) of storage and separate ice and water chutes. Dispenser cabinet to be of stainless steel. Environmentally responsible R404a air-cooled ice machine to have 24 hour production capacity of approximately 425 lb (193.0 kg) of Chewblet compressed nugget ice at water temp. of 70 F (21 C); air temp. of 90 F (32 C). Ice machine to be equipped with automatic self-flushing and Quiet Night sleep mode. Dispenser to have automatic bin level control to start and stop ice machine. Storage area to be insulated with non-CFC, high density, foamed-in-place polyurethane. 8.5' (2.6 m) cord and NEMA 5-15 90° hospital-grade plug provided. NSF and ETL listed.

## Dimensional drawing



## Wall mount detail



- 1 Independent third party studies. Contact Follett for details.
- 2 Disclaimer: Antimicrobial protection is limited to the treated components and does not treat water or ice.

Agion is a registered trademark of Sciescent LLC.

Calgon is a licensed tradename distributed by Nu-Calgon, in the United States.

Symphony Plus, SensorSAFE, SafeCLEAN and Quiet Night are trademarks of Follett Corporation.

Chewblet and Follett are registered trademarks of Follett Corporation, registered in the US.

Follett reserves the right to change specifications at any time without obligation. Certifications may vary depending on country of origin.

## 12 HI series wall mount