



HWD HOT WATER DISPENSERS

Project Date Models **HWD2, HWD3, HDW5** Item# Quantity



model HWD3



model HWD5

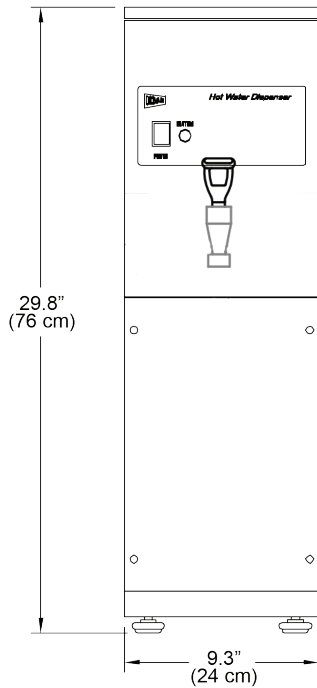
Features

- Instant automatic water refill - provides an inexhaustible supply of hot water.
- Energy efficient system keeps water temperature constant.
- 2, 3, and 5 gallon (7.6L, 11.4L, 18.9L) capacity models are available.
- Constant hot water in as little as 8" of counter space.
- Tomlinson no-drip faucet.
- Ideal for large scale food preparation.
- Easy-to-clean exterior.
- Removable drip tray.

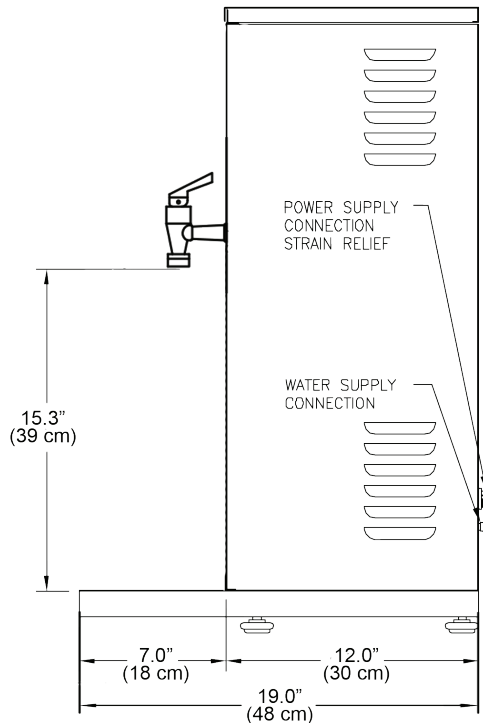
Models & Dimensions



HWD Hot Water Dispensers



Front View



Side View

model HWD5

Specifications

Model	Description	Electrical	Product Dimensions (H x W x D)	Ship Weight
HWD2 (6900-10000)	Black, 2 gallon (7.6 L) capacity. C-UL US, NSF Certification	120V / 1.8 kW / 15 A / 1 Ph NEMA 5-15P line cord included	24" x 7.9" x 15.4" (61 cm x 20 cm x 39 cm)	24 lbs. (10.9 kg)
HWD2 (080545L)	Black, 2 gallon (7.6 L) capacity. C-UL US, NSF Certification	120/208V / 2.3 kW / 11 A / 1 Ph 120/240V / 3.0 kW / 13 A / 1 Ph NEMA 6-15P line cord included	24" x 7.9" x 15.4" (61 cm x 20 cm x 39 cm)	24 lbs. (10.9 kg)
HWD3 (6900-20000)	Black, 3 gallon (11.4 L) capacity. UL, NSF Certification	120V / 1.8 kW / 15 A / 1 Ph NEMA 5-15P line cord included	24.3" x 9.3" x 19" (62 cm x 24 cm x 48 cm)	42 lbs. (19.1 kg)
HWD3 (080562L)	Black, 3 gallon (11.4 L) capacity. C-UL US, NSF Certification	120/208V / 2.3 kW / 11 A / 1 Ph 120/240V / 3.0 kW / 13 A / 1 Ph NEMA 6-15P line cord included	24.3" x 9.3" x 19" (62 cm x 24 cm x 48 cm)	42 lbs. (19.1 kg)
HWD5 (6900-30000)	Black, 5 gallon (18.9 L) capacity. UL, NSF Certification	120V / 1.7 kW / 14.2 A / 1 Ph NEMA 5-15P line cord included	29.8" x 9.3" x 19" (76 cm x 24 cm x 48 cm)	42 lbs. (19.1 kg)

Plumbing: 0.25" (6.35 mm) water line required.



Grindmaster-Cecilware™ 4003 Collins Lane, Louisville, KY 40245 USA

Tel: +1.502.425.4776 / 800.695.4500 (USA & Canada only) • Fax: +1.502.425.4664 • www.gmcw.com • Email: info@gmcw.com