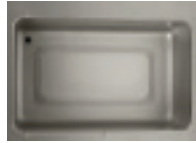




HEAVY DUTY ELECTRIC SEALED WELL TABLES WITH ENCLOSED BASE



Sealed Well with Drain

Enclosed Base
HDSW-3-240-BS Shown
with Optional TA-255P Casters

Item #: _____ Qty #: _____
Model #: _____
Project #: _____



FEATURES:

- Heavy duty construction
- All welded 300 series stainless steel
- Sealed wells with manifold drains
- Thermostatic controls
- Removable front panel to access elements for ease of service
- Supplied with dish shelf
- Stainless steel shelf with removable 3/8" thick poly cutting board - Ships K.D.

MATERIAL:

- TOP:** 18 gauge #304 stainless steel with die stamped pan openings and self rimmed. (12" x 20" opening size)
- BODY:** 18 gauge #304 stainless steel
- LEGS:** 18 gauge stainless steel with fully adjustable stainless steel bullet foot
- INSULATION:** Fiberglass insulation between each compartment
- DISH SHELF:** 18 gauge #304 stainless steel
- CUTTING BOARD:** White Thermoplastic
- HEAT COMPARTMENT:** Sealed well pan with "M" shaped tubular element underneath
- PLUMBING:** Manifold drain assembly included

ELECTRICAL:

- 120V units yield 640 Watts
- 208V/240V dual voltage units yield 825 Watts at 208V and 1100 Watts at 240V
- 6' electrical cord with plug
- Infinite control knobs
- Indicator lights

NOTE: For international applications, plug may need to be replaced (by others) in field.

Model #	Length	Width	# of Wells	Weight	Cubic Feet	Volts	NEMA Plug	Amps /Watts per Unit
HDSW-2-120-BS	31-13/16"	35-3/4"	2	225	31	120	5-20P	10.67/1280
HDSW-3-120-BS	47-1/8"	35-3/4"	3	340	45	120	5-20P	16/1920
HDSW-4-120-BS	62-7/16"	35-3/4"	4	430	60	120	L5-30P	21.33/2560
HDSW-2-240-BS	31-13/16"	35-3/4"	2	225	31	208/240	6-20P	10.67/2200
HDSW-3-240-BS	47-1/8"	35-3/4"	3	340	45	208/240	6-20P	13.75/3300
HDSW-4-240-BS	62-7/16"	35-3/4"	4	430	60	208/240	L6-30P	18.33/4400
HDSW-5-240-BS	77-3/4"	35-3/4"	5	520	74	208/240	L6-30P	22.91/5500
HDSW-6-240-BS	93-1/8"	35-3/4"	6	610	88	208/240	L6-30P	27.5/6600

NOTE: Units are not designed to cook or heat frozen or refrigerated foods. Food placed in tables should already be hot, and the table will maintain the proper temperatures

NEMA PLUGS: Your plug will look like this...

Includes:



Includes Manifold Drain



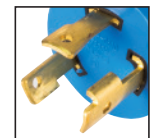
NEMA 5-20P



NEMA 6-20P



NEMA L5-30P



NEMA L6-30P



Customer Service Available To Assist You 1-800-645-3166 8:30 am - 8:00 pm E.S.T.

For Orders:

Email: customer@advancetabco.com or Fax To: 631-242-6900

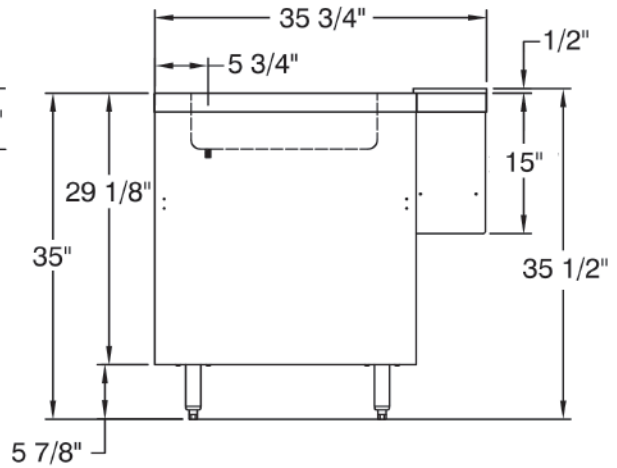
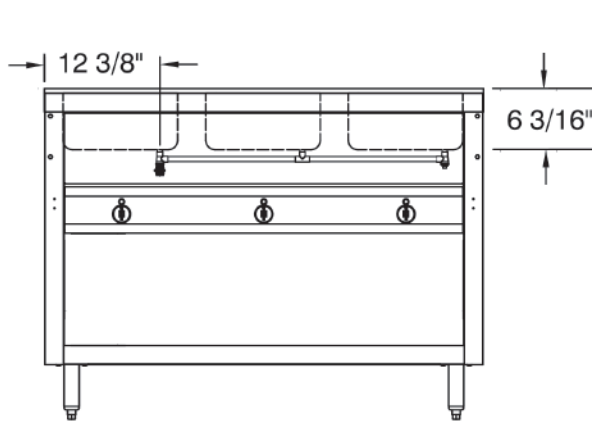
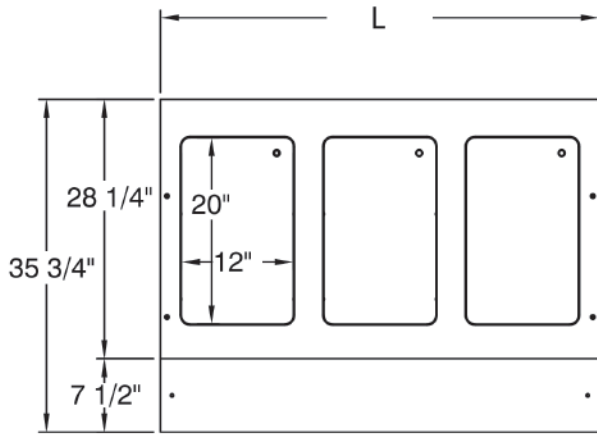
For Smart Fabrication™ Quotes:

Email: smartfab@advancetabco.com or Fax To: 631-586-2933

DIMENSIONS and SPECIFICATIONS

TOL ± .125"

ALL DIMENSIONS ARE TYPICAL



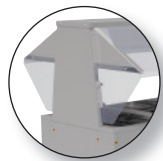
Food Table Shelving & Accessories

Visit our website for additional accessories



**Double Sided
Self-Serve Buffet Shelf
with Built-In Food Shield**

Model	Length	Approx Wt.	Cu. Ft.
TBS-2	31-13/16"	34 lbs.	2
TBS-3	47-1/8"	42 lbs.	3
TBS-4	62-7/16"	47 lbs.	4
TBS-5	77-3/4"	55 lbs.	4
TBS-6	93-1/8"	63 lbs.	4



**Acrylic Side Panels
for Buffet Shelf**

Add side panels to meet additional NSF requirements (2 panels per end)

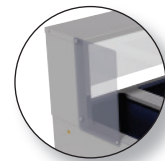
**TBP-1 One End
TBP-2 Two Ends**

Field Installation Available



**Single Sided
Cafeteria Shelf
with Built-In Food Shield**

Model	Length	Approx Wt.	Cu. Ft.
TSS-2	31-13/16"	18 lbs.	2
TSS-3	47-1/8"	23 lbs.	3
TSS-4	62-7/16"	30 lbs.	4
TSS-5	77-3/4"	35 lbs.	4
TBS-6	93-1/8"	41 lbs.	4



**Acrylic Side Panel
for Serving Shelf**

Add side panels to meet additional NSF requirements. (1 panel per end)

**TSP-1 One end
TSP-2 Two Ends**

Field Installation Available

