



Project \_\_\_\_\_  
 Item # \_\_\_\_\_  
 Quantity \_\_\_\_\_

# Glo-Ray® Curved Infrared Strip Heaters with LED Lights

Models:

GR5AL-18, -24, -30, -36, -42, -48, -54, -60, -66, -72  
 GR5AHL-18, -24, -30, -36, -42, -48, -54, -60, -66, -72

This stylish patented design, based on our signature Glo-Ray® strip heaters, is the perfect solution for your front-of-the-house applications. Superb for buffet and serving lines, the sleek curved design minimizes its size while accenting and warming the products below.

Warm LED lighting provides perfect coloring and coverage while lowering energy costs.

The entire holding surface is heated evenly with no “cold” spots thanks to Hatco's dependable infrared element technology.

Hatco's wide array of colors help provide the right look for your venue.

## Standard features

- Narrow, curved design: 2"H by 6"D (51 x 150 mm) uses a very small footprint.
- Lengths available from 18"-72" (457- 1829 mm) in 6" (152 mm) increments
- Patented housing design has energy efficient dual LED lights across the entire strip heater which provides longer performance and energy savings (compared to standard incandescent bulbs - 3.5 to 15.2 watts based on length)
- LED lights are field replaceable
- 3050K LED light temperature provides more consistent warmth, improved light coverage and enhances food appearance
- Remote box with electronic infinite control and power on/off switch (controls lights and heat) included
- 100% linear infinite controls with adjustability from 0-100% allow for precise settings
- Pre-focused heat maintains safe serving temperatures longer without continuing to cook the food
- Available in standard or high watt
- Mounting Brackets, 3' ( 914 mm) Conduit and 5' (1524 mm) power leads are standard (included)
- Metal Sheathed Elements guaranteed against burnout and breakage for two years



GR5AL-24/GR5AHL-24

## Options (available at time of purchase only)

Housing color (Clear Anodized standard) choose clearance and color below

### Designer Color†

- Warm Red     Black     Gray Granite     White Granite  
 Navy Blue     Hunter Green     Antique Copper

### Gloss Finish†

- Radiant Red     Glossy Gray     Bold Black     Gleaming Gold  
 Brilliant Blue

Non-adjustable Tubular Stands (Angle Brackets standard) choose clearance and color below

- 10' (254 mm)     12' (305 mm)     14' (356 mm)     16' (406 mm)

### Designer Color†

- Warm Red     Black     Gray Granite     White Granite  
 Navy Blue     Hunter Green     Antique Copper

### Gloss Finish†

- Radiant Red     Glossy Gray     Bold Black  
 Gleaming Gold     Brilliant Blue

Power Wire Lead Length – 5' (1524 mm) is standard (The standard LED lead length is 1.5' (457 mm) longer than the power lead length)

- 6' (1829 mm)     7' (2134 mm)     8' (2438 mm)  
 9' (2743 mm)     10' (3048 mm)

†Non-standard colors are non-returnable



HATCO CORPORATION | P.O. Box 340500 Milwaukee, WI 53234-0500 U.S.A.

(800) 558-0607 | (414) 671-6350 | www.hatcocorp.com | equipsales@hatcocorp.com | intl@hatcocorp.com

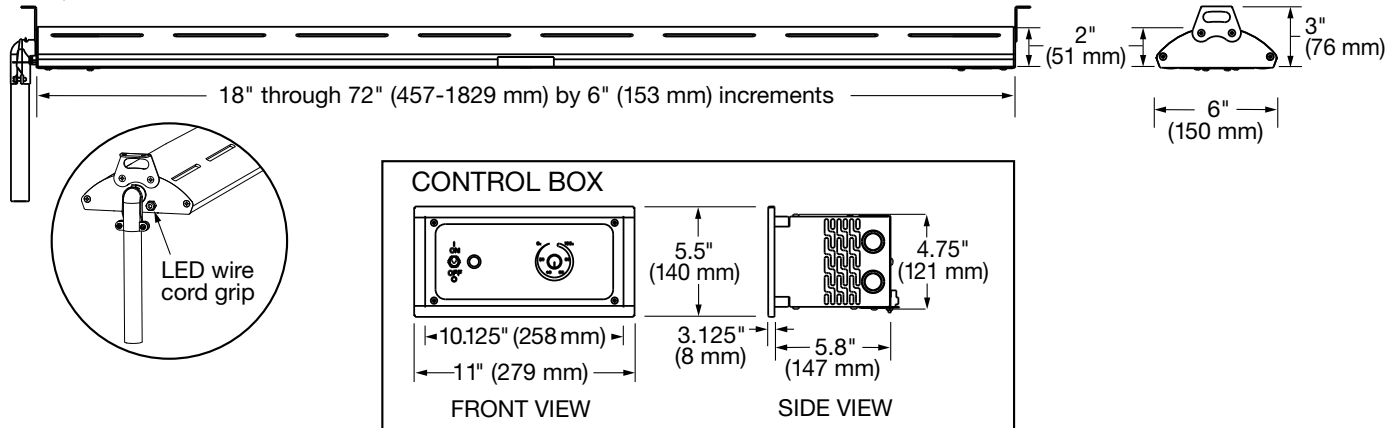


# Glo-Ray® Curved Infrared Strip Heaters with LED Lights

Models: GR5AL-18, -24, -30, -36, -42, -48, -54, -60, -66 -72

GR5AHL-18, -24, -30, -36, -42, -48, -54, -60, -66 -72

## GR5AL, GR5AHL



## SPECIFICATIONS

### Glo-Ray® Curved Infrared Strip Heaters with LED Lights

Phase: Single

Standard Watt				High Watt				All Models	
Model	Volts	Watts	Amps	Model	Volts	Watts	Amps	Dimensions W x D x H	Weight*
GR5AL-18	120	254	2.2	GR5AHL-18	120	354	3.0	18" x 6" x 2" (457 x 150 x 51 mm)	13 lbs. (6 kg.)
	208		1.2		208		1.7		
	240		1.1		240		1.5		
GR5AL-24	120	356	3.0	GR5AHL-24	120	506	4.3	24" x 6" x 2" (610 x 150 x 51 mm)	14 lbs. (7 kg.)
	208		1.7		208		2.5		
	240		1.5		240		2.1		
GR5AL-30	120	458	3.9	GR5AHL-30	120	668	5.6	30" x 6" x 2" (762 x 150 x 51 mm)	15 lbs. (7 kg.)
	208		2.2		208		3.2		
	240		1.9		240		2.8		
GR5AL-36	120	584	4.9	GR5AHL-36	120	809	6.8	36" x 6" x 2" (919 x 150 x 51 mm)	17 lbs. (8 kg.)
	208		2.9		208		3.9		
	240		2.5		240		3.4		
GR5AL-42	120	686	5.8	GR5AHL-42	120	961	8.1	42" x 6" x 2" (1067 x 150 x 51 mm)	18 lbs. (9 kg.)
	208		3.3		208		4.7		
	240		2.9		240		4.0		
GR5AL-48	120	812	6.9	GR5AHL-48	120	1112	9.4	48" x 6" x 2" (1219 x 150 x 51 mm)	20 lbs. (9 kg.)
	208		4.0		208		5.4		
	240		3.4		240		4.7		
GR5AL-54	120	939	7.9	GR5AHL-54	120	1264	10.7	54" x 6" x 2" (1372 x 150 x 51 mm)	21 lbs. (10 kg.)
	208		4.6		208		6.1		
	240		4.0		240		5.3		
GR5AL-60	120	1066	9.0	GR5AHL-60	120	1416	11.9	60" x 6" x 2" (1524 x 150 x 51 mm)	22 lbs. (10 kg.)
	208		5.2		208		6.9		
	240		4.5		240		6.0		
GR5AL-66	120	1177	10.0	GR5AHL-66	120	1577	13.3	66" x 6" x 2" (1675 x 150 x 51 mm)	24 lbs. (11 kg.)
	208		5.7		208		7.7		
	240		5.0		240		6.6		
GR5AL-72	120	1294	10.9	GR5AHL-72	120	1744	14.7	72" x 6" x 2" (1829 x 150 x 51 mm)	25 lbs. (12 kg.)
	208		6.3		208		8.5		
	240		5.5		240		7.3		

\* Weights are approximate and do not include shipping materials.

### CONTROL BOX

Refer to Installation and Operating Manual on Hatco website for more details.

An LED driver is included and mounted in control box.

#### Box location:

Place control box in cool location. Ambient temperature should be no greater than 104° F (40 C).

#### Cutout dimensions:

10.125"W x 4.75"H x 6.25"D (257 x 121 x 159 mm).

NOTE: Make sure the control box installation location provides enough space behind the vertical surface for the depth of the control box and electrical connections

### RECOMMENDED MOUNTING HEIGHTS

(Refer to the Installation section in the Installation and Operating Manual on the Hatco website)

Make sure countertop material is designed to withstand long periods of hot food holding temperatures. Contact manufacturer of countertop material for application information.

GR5AL Series strip heaters can be installed over a steam table. Follow the minimum clearance requirements for non-combustible surroundings.

#### Combustible surroundings (GR5AL only)

Below overshelf: 1" (25 mm) clearance  
Unit to surface below: 11" (279 mm)  
Back to wall: 1" (25 mm)

#### Non-Combustible surroundings (GR5AL, GR5AHL)

Below overshelf: 1" (25 mm) clearance  
Unit to surface below: 10" (254 mm)  
Back to wall: 0" (0 mm)

## PRODUCT SPECS

### Glo-Ray® Slim Curved LED Strip Heater

The Curved Infrared Strip Heater with LED Lights shall be a Glo-Ray®, manufactured by the Hatco Corporation, Milwaukee, WI 53234 U.S.A.

The Foodwarmer shall be a Glo-Ray model ..., rated at ... watts, ... volts, single phase and be ... inches (millimeters) in overall width.

The Glo-Ray shall consist of Clear Anodized, Designer or Gloss Finish painted patented housing and include as standard equipment 3' (914 mm) conduit with

5' (1524 mm) power leads, a Remote Control Enclosure and mounting brackets. The infrared heating element shall be tubular metal sheathed. The foodwarmer shall be factory assembled ready for electrical installation.

Options shall include choice of Designer color or Gloss Finish, extended power leads and Non-adjustable Tubular Stands

Comes with 24/7 parts and service assistance (U.S. and Canada only).

HATCO CORPORATION | P.O. Box 340500 Milwaukee, WI 53234-0500 U.S.A.

(800) 558-0607 | (414) 671-6350 | www.hatcocorp.com | equipmentsales@hatcocorp.com | intl@hatcocorp.com