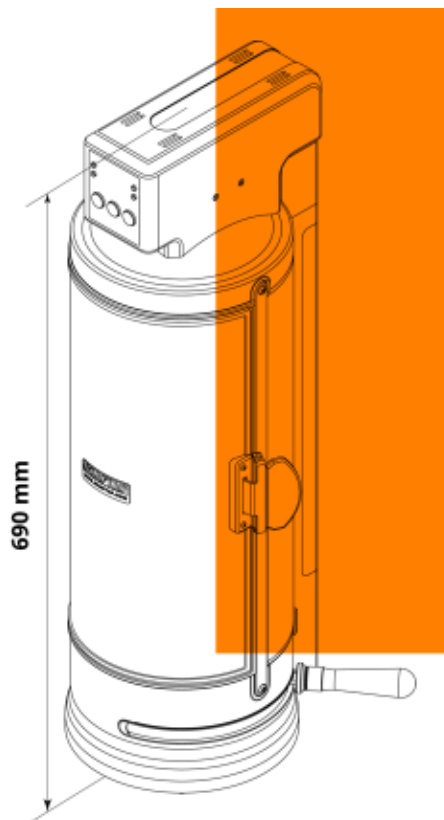


CrafTap Smart

Technical Data

(rev 05.06.19)

1. Do not disassemble or repair the device yourself. Service should be carried out by trained personnel.
2. If it is necessary to disconnect the beverage supply hose for maintenance, wash the equipment before and after maintenance in accordance to this manual.
3. Before starting repair / maintenance procedure of the device you must:
 - push the ON/OFF button to turn off the power;
 - unplug the AC/DC power adapter;
 - depressurize the beverage and gas supply line;
 - disconnect the GAS, BEER, and DRAINAGE hoses.
4. Do not touch the contacts of electronic boards with bare skin or metal objects. This may cause damage to the device due to static voltage.
5. Keep moisture away from electronic boards and cables. In case of moisture, wipe them dry with a lint-free cloth.
6. Use certified bottles only capable of withstanding pressure of more than 5 bar. The bottle should not have chips, cracks and other damages.



Main Characteristics			
Overall dimensions	350 mm x 330 mm x 690 mm	14" x 13" x 27"	
Gas pressure	0.9–2.5 bar	13–36 psi	
Beverage pressure	0.9–2.5 bar	13–36 psi	
Power consumption	60 W		
Device weight			
Net	12 kg	26.5 lbs	
Gross	13 kg	26.5 lbs	
Filling Process			
Pouring speed	0.5...2.5 l/min	16.0...84.0 fl oz/min	0.8...4.3 pt/min
Speed adjustment step	0.05 l/min	3.0 fl oz/min	0.1 pt/min
Fill size	0.1...5.0 l	6.0...128.0 fl oz	0.17...10.0 pt
Fill size adjustment step	0.01 l	0.5 fl oz	0.01 pt
Filling process accuracy	0.01 l	0.01 fl oz	0.01 pt
Purging time duration	0...15 sec		
Purging time adjustment step	0.50 sec		
Rinsing procedure duration	15 min		
Calibration volume	1.0 l		
Glass Bottle Requirements*			
Bottle height	150–280 mm	6"–11"	
Max. diameter	130 mm	5.12"	
External neck diameter	26–57 mm	1"–2.24"	
Min. internal neck diameter	17 mm	0.67"	
Metall Bottle Requirements			
Bottle height	150–280 mm	6"–13"	
Max. diameter	130 mm	6.7"	
External neck diameter	26–57 mm	1"–2.24"	
Min. internal neck diameter	17 mm	0.67"	
Power Supply Requirements			
AC voltage range	100–240 V		
Tolerances of the voltage	≤ ± 10 %		
Frequency range	50–60 Hz		
Tolerances of the frequency	≤ ± 5 %		

General View and Major Components



Mounting Dimensions

