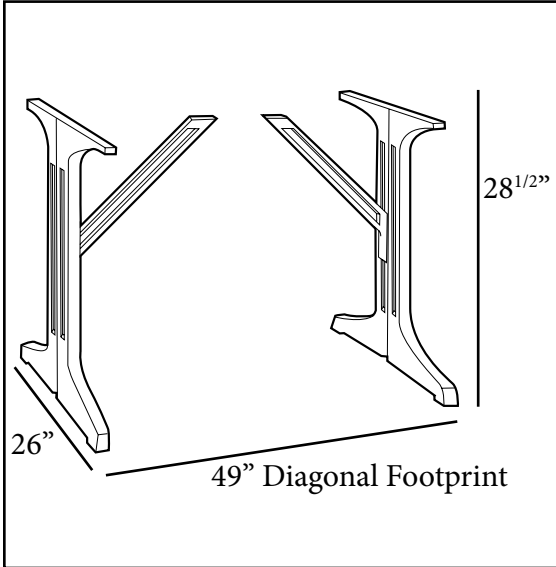




New Color!

EXTERIOR

Resin Lateral Base 1000



Features & Benefits **Warranty: 2 Yrs.**

- Specifically designed for Grosfillex 48" x 32" with umbrella hole food service molded melamine tables.
- Heavy duty four-prong resin base for extra stability.
- Made of 100% prime resin, a material impervious to moisture, salt air, chlorine.
- Anti-skid glides for extra stability and resistant to wear.
- Available in three colors to custom design your Grosfillex table with full table top complements.

Product Specifications						
Product Description	Reference Number	Color	UPC Code 014306	Weight Each (lbs.)	Master Pack	Master Pack Volume (cu. ft.)
Resin Lateral Base <i>New Color!</i>	55618302	Charcoal	134628	15.00	1	1.65
	55618337	Bronze Mist	132921			
	55618181	Taupe	918365			