



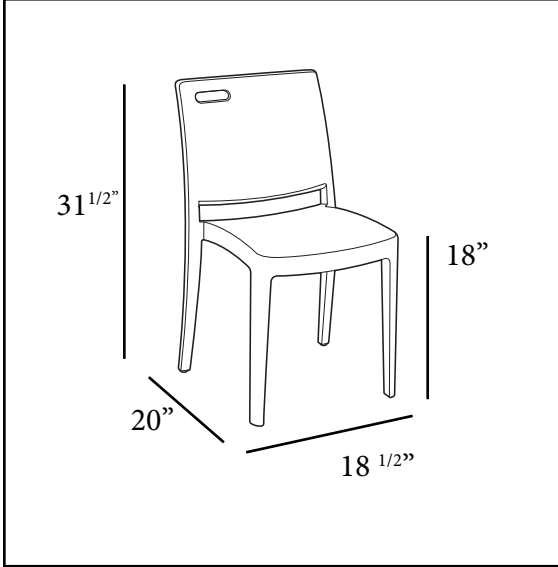
COMMERCIAL RESIN FURNITURE

Your best value for Food Service & Hospitality!

# New Color!

I  
N  
T  
E  
R  
I  
O  
R  
  
E  
X  
T  
E  
R  
I  
O  
R

## Metro Stacking Chair



Passes ASTM F 1561-96 Class B performance standard for commercial outdoor seating and BIFMA X5.1-11 certified for indoor/outdoor business use

**Features & Benefits** **Warranty: 5 Yrs.**

- Versatile, contemporary urban design
- Low backrest with a wide ergonomic seat
- Built-in handle for easy placement
- Fine texture to resist scratches
- Stacks for easy storage
- Easy to clean with soap and water
- Rated to 300 lb. for safe commercial use
- Apple Red, Black, & Orange are Made in the U.S.A.

<b>Product Specifications</b>						
Product Description	Reference Number	Color	UPC Code 014306	Weight Each (lbs.)	Master Pack	Master Pack Volume (cu. ft.)
Metro Stacking Armchair <i>New Color!</i>	XA653581	Linen	917795	8.49	16	39.44
	US653581	Linen	917795	8.24	4	11.90
	US563202	Apple Red	917771	8.49	16	39.44
	US653202	Apple Red	917771	8.24	4	11.90
	US563017	Black	917764	8.49	16	39.44
	US653017	Black	917764	8.24	4	11.90
	XA653096	Glacier White	917788	8.49	16	39.44
	US653096	Glacier White	917788	8.24	4	11.90
	XA653282	Cactus Green	917801	8.49	16	39.44
	US653282	Cactus Green	917801	8.24	4	11.90
	US563019	Orange	921358	8.49	16	39.44
	US653019	Orange	921358	8.24	6	11.90