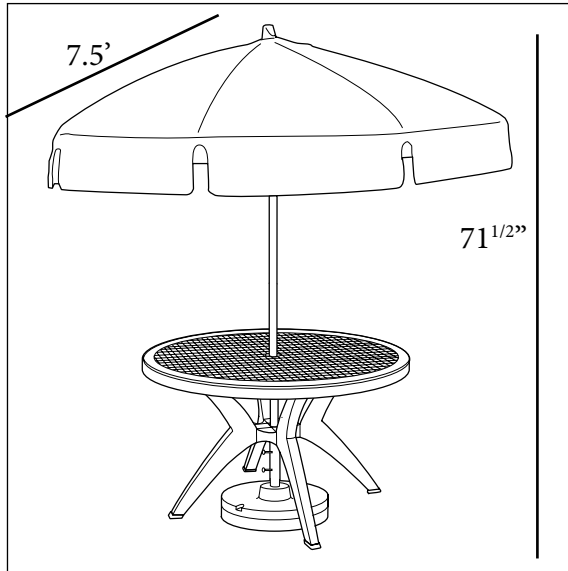




New Colors!

7.5' Round Push Up Umbrella with 1 1/2" Aluminum Pole



Features & Benefits **Warranty: 1 Yr. on Grade A Fabric**

- 7.5 ft. push up umbrella, specifically made for commercial use - 95% sunscreen.
- 1 1/2" heavy gauge powder coated aluminum pole for strength and resistance to corrosion.
- Heavy duty wire ribs for strength.
- New selection of spun solution dyed olefin trendy fabric (Grade A) color - Apple Green to coordinate with Grosfillex furniture.
- Fully tested to 1000 hours for fade resistance in laboratory tests to meet ASTM G53-96 performance standards for commercial outdoor furniture fabric.
- Fabric complies with ACFFA requirements.
- Hard wearing, excellent shape retention.
- Easy to clean and maintain, mildew resistant with proper care.
- Can be color-coordinated with Grosfillex exterior cushions.

Product Specifications

Product Description	Reference Number	Color	UPC Code	Weight Each (lbs.)	Master Pack	Master Pack Volume (cu. ft.)
7.5' Push Up Umbrella with 1 1/2" Aluminum Pole	98268031	Apple Green	138169	13.00	1	1.38
	98272031	Forest Green	138183			
	98279731	Pacific Blue	138176			

Available Base Options:
 35 lb. Table Umbrella Base with 10" Stem
 Optional 35 lb. Base Ring
 Resin Umbrella Base with Fill Cap