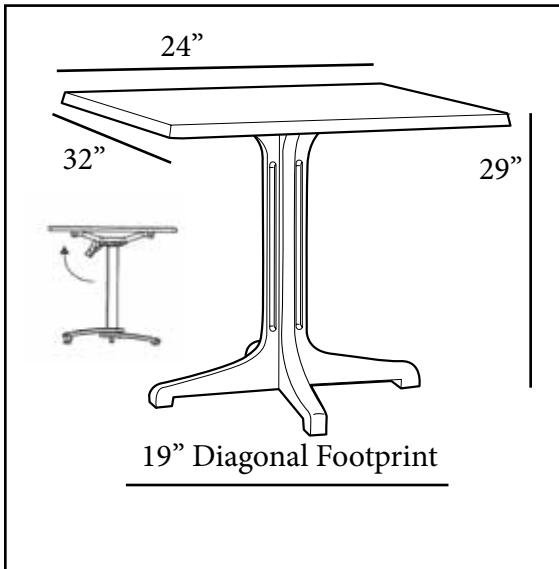




COMMERCIAL RESIN FURNITURE

Your best value for Food Service & Hospitality!



24" x 32" Molded Melamine Tabletop

without umbrella hole

Features & Benefits **Warranty: 2 Yrs.**

- Trendy marble, granite finish, or deco tops to complement all Grosfillex chairs.
- Hard, smooth molded tabletop made of a molded wood/resin body with a fusion bonded melamine top.
- Stain, burn, scratch, and fade resistant.
- Use Grosfillex's wide 4-prong central resin pedestal base 1000, tilt top aluminum base 100, aluminum central pedestal base, or bar height table base with anti-skid glides for stability.
- Cleans easily with soap and water.
- Specifically designed and engineered for indoor/outdoor terraces, bars, breakfast areas, concessions, and balconies.
- Customize designs by mixing and matching tabletops and bases.
- Top and Base sold separately.

Product Specifications						
Product Description	Reference Number	Color	UPC Code 014306	Weight Each (lbs.)	Master Pack	Master Pack Volume (cu. ft.)
24" x 32" Molded Melamine Tabletop <i>Use Resin Ped Base 1000 or Tilt Top Alum. Base 100 or Bar Height Table Base or Alum. Central Ped Base</i>	99530025	Granite Green	101774	19.00	1	1.07
	99530004	White	101767			
	99530018	Wicker	908120			
	99530002	Tokyo Stone	132686			
	99530008	Teak Decor	132778			
	99530058	Catalan	908472			
	99530076	Aged Oak	915197			
	99530246	Barn White	918976			
99530071	White Oak	919362				