



GLO-RAY® DESIGNER INFRARED FOODWARMERS

Models GR2A-18D, -24D, -30D, -36D, -42D, -48D, -54D, -60D, -66D, -72D, -84D GR2AH-18D, -24D, -30D, -36D, -42D, -48D, -54D, -60D, -66D, -72D, -84D

Hatco Glo-Ray® Designer Infrared Foodwarmers safely keep all hot foods at optimum serving temperatures longer. Foods do not dry out or become discolored; even delicate dishes hold that "just-prepared" look. The Glo-Ray pre-focused heat pattern directs heat from a tubular element to bathe the entire holding surface.

FLEXIBILITY

The continuous aluminum housings, up to 88" (2235 mm) in width, are very strong and eliminate the danger of sagging.

Optional sneeze guards, made of shatterproof, easy-to-clean acrylic, are available, providing a safe environment for the food. Check NSF standards and local codes for requirements.

Many combinations of remote control enclosures are available in several sizes, built in accordance with UL Standards to accommodate power switches, infinite controls, indicator lights, and wiring. **Remote control installation is required on all Designer foodwarmers.**

Designer color foodwarmer and inset panels allow the unit to match the surrounding décor. The powdercoated surfaces provide durability and are easy to clean.

QUALITY

The following features assure the finest performance for years to come:

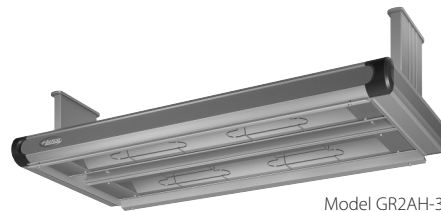
- Available in widths from 22" to 88" (559-2235 mm).
- Sturdy continuous aluminum housings eliminate sagging.
- Pre-focused heat maintains safe serving temperatures longer without continuing to cook the food.
- Variety of models, configurations, colors and accessories provide unlimited flexibility.



Model GR2AH-42D



Model GR2AH-24D with optional sneeze guards



Model GR2AH-36D with Designer legs for hanging installations

Remote Control Enclosures



Model RMB-14D with infinite controls



Model RMB-7C with infinite controls



ANSI/NSF 4

METAL SHEATHED ELEMENTS GUARANTEED AGAINST BURNOUT AND BREAKAGE FOR TWO YEAR.

HATCO CORPORATION P.O. Box 340500 Milwaukee, WI 53234-0500 U.S.A.
(800) 558-0607 • (414) 671-6350 • Fax (800) 543-7521 • Int'l. Fax (414) 671-3976
www.hatcocorp.com • E-mail: equipsales@hatcocorp.com

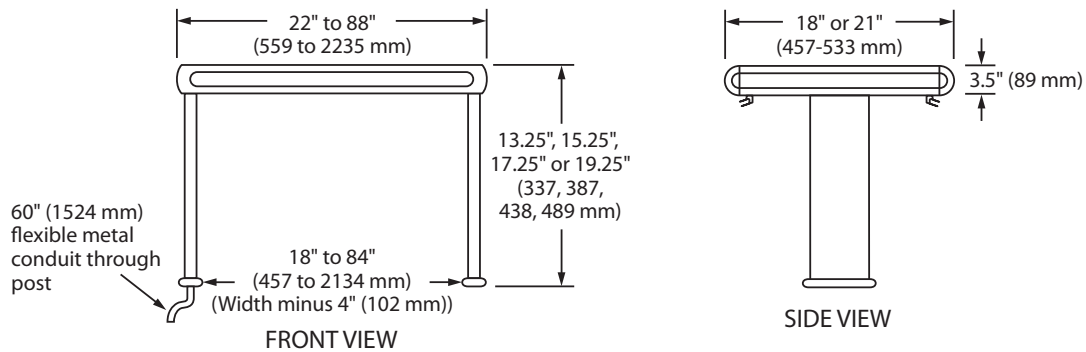
Form No. GR2A-D Spec Sheet

Printed in U.S.A.
November 2012



GLO-RAY® DESIGNER INFRARED FOODWARMERS

Models GR2A-18D, -24D, -30D, -36D, -42D, -48D, -54D, -60D, -66D, -72D, -84D GR2AH-18D, -24D, -30D, -36D, -42D, -48D, -54D, -60D, -66D, -72D, -84D



SPECIFICATIONS

Model*	Volts/Amps			Watts	Width	Shipping Weight*
	120V	208V	240V			
GR2A-18D GR2AH-18D	4.2 5.8	2.4 3.4	2.1 2.9	500 700	22" (559 mm)	44 lbs. (20 kg)
GR2A-24D GR2AH-24D	5.8 8.3	3.4 4.8	2.9 4.2	700 1000	28" (711 mm)	48 lbs. (22 kg)
GR2A-30D GR2AH-30D	7.5 11.0	4.3 6.4	3.8 5.5	900 1320	34" (864 mm)	52 lbs. (24 kg)
GR2A-36D GR2AH-36D	9.6 13.3	5.6 7.7	4.8 6.7	1150 1600	40" (1016 mm)	57 lbs. (26 kg)
GR2A-42D GR2AH-42D	11.3 15.8	6.5 9.1	5.6 7.9	1350 1900	46" (1168 mm)	66 lbs. (30 kg)
GR2A-48D GR2AH-48D	13.3 18.3	7.7 10.6	6.7 9.2	1600 2200	52" (1321 mm)	77 lbs. (35 kg)
GR2A-54D GR2AH-54D	15.4 20.1	8.9 12.0	7.7 10.4	1850 2500	58" (1473 mm)	88 lbs. (40 kg)
GR2A-60D GR2AH-60D	17.5 23.3	10.1 13.5	8.8 11.7	2100 2800	64" (1626 mm)	97 lbs. (44 kg)
GR2A-66D GR2AH-66D■	19.3 26.0	11.2 15.0	9.7 13.0	2320 3120	70" (1778 mm)	107 lbs. (49 kg)
GR2A-72D GR2AH-72D■	21.3 28.8	12.3 16.6	10.6 14.4	2550 3450	76" (1930 mm)	117 lbs. (53 kg)
GR2A-84D■ GR2AH-84D▲ GR2AH-84D	25.0 31.7 -	14.4 - 19.7	12.5 - 17.1	3000 3800 4100	88" (2235 mm)	138 lbs. (63 kg)

- * When no color is specified, color inset panels and corner caps will be black.
- Does not include RMB.
- 120 volt models with infinite controls not available.
- ▲ 120 volt models require additional switches and tandem (end-to-end) elements individually controlled.

OPTIONS (NOT FOR RETROFIT)

- Unit and Inset Panel *Designer* Colors: Warm Red, Black, Gray Granite, White Granite, Navy Blue, Hunter Green, Antique Copper, non-standard colors are non-returnable
- Dark Gray *Designer* Corner Caps, (Black is standard)
- Sneeze Guards – 7.5" or 14" (191 or 356 mm)
- Designer* Non-Adjustable Stands 10", 12", 16" (254, 305, 406 mm) Height in lieu of Standard 14" (356 mm) Stands
- 4" (102 mm) *Designer* Overhead Mounts

PRODUCT SPECS

Designer Infrared Foodwarmer

The *Designer* Infrared Foodwarmer shall be a Glo-Ray®, manufactured by the Hatco Corporation, Milwaukee, WI 53234 U.S.A.

The Foodwarmer shall be a Glo-Ray Model ... , rated at ... watts, ... volts, single phase and be ... inches (millimeters) in overall width.

The Glo-Ray shall consist of an aluminum housing and include as standard equipment 14" (356 mm) *Designer* legs.

The infrared heating element shall be tubular metal sheathed.

DIMENSIONS

GR2A-XXD & GR2AH-XXD: 22"-88"W x 18" or 21"D x 3.5"H without legs (559-2235 x 457 or 533 x 89 mm).

VOLTAGE

120, 208 and 240 volts, single phase.
Export voltages available.

REMOTE CONTROL ENCLOSURES

Model	Width	Toggle Switches
RMB-3	5.5" (140 mm)	2 Maximum
RMB-7	9" (229 mm)	4 Maximum
RMB-14	14" (356 mm)	6 Maximum
RMB-16	16" (406 mm)	3 Maximum
RMB-20	20" (508 mm)	3 Maximum

NOTE: ONE CONTROL BOX PER FOODWARMER.

MOUNTING REQUIREMENTS

Recommended Mounting Height –
Standard Watt: 10"-14" (254-356 mm)
High Watt: 14"-16" (356-406 mm)

MINIMUM SPACING –

May not be installed in combustible surroundings.
Must be installed no closer than 3" (76 mm) from a non-combustible back wall and above a non-combustible surface.