



# Frozen Drink Machine Stands

Item #: \_\_\_\_\_ Qty #: \_\_\_\_\_

Model #: \_\_\_\_\_

Project #: \_\_\_\_\_



Model #	O.A. Length (A)	Drain Location (B)	Drink Machine Capacity	Approx. Weight	Approx. Cu. Ft.
PRFD-18	18"	9"	1	45 lbs.	14
PRFD-30	30"	15"	2	80 lbs.	20

Size Of Drink Machine Must Be Verified When Ordering.

## DETAILS and SPECIFICATIONS

TOL Overall: ± .500" Interior: ± .250"

ALL DIMENSIONS ARE TYPICAL

### FEATURES:

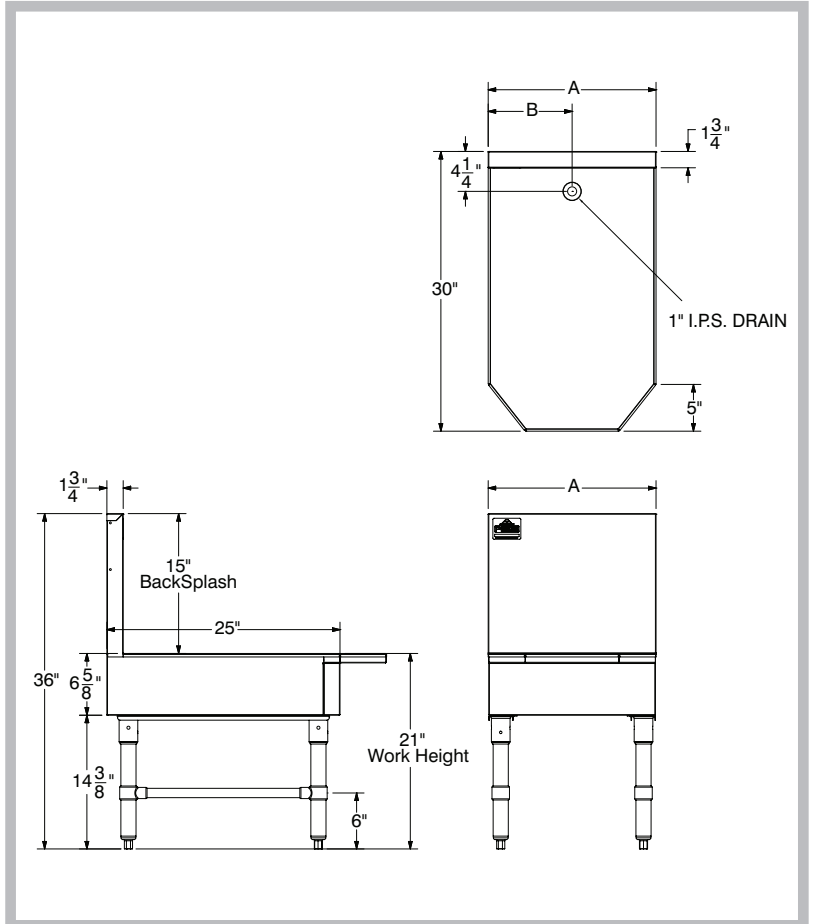
- Lower working height to accommodate the height of most drink machines for underbar use.
- Embossed and seamless top.
- Beveled front.
- Drain in the centered in the back of the unit.
- Adjustable side cross-bracing.
- 15" back splash.
- 21" working height.
- Stainless steel top, apron, sides & legs w/ adjustable stainless steel bullet feet.

### MATERIAL:

- 20 gauge, 300 stainless steel
- Top:** 18 gauge, 300 stainless steel
- Legs:** 1 5/8" O.D. 18 gauge, stainless steel with 1" adjustable stainless steel bullet feet

### MECHANICAL:

- 1" IPS drain



Customer Service Available To Assist You **1-800-645-3166** 8:30 am - 8:00 pm E.S.T.

For Orders & Customer Service:

Email: [customer@advancetabco.com](mailto:customer@advancetabco.com) or Fax: 631-242-6900

For Smart Fabrication™ Quotes:

Email: [smartfab@advancetabco.com](mailto:smartfab@advancetabco.com) or Fax: 631-586-2933